



Chipsmall Limited consists of a professional team with an average of over 10 year of expertise in the distribution of electronic components. Based in Hongkong, we have already established firm and mutual-benefit business relationships with customers from,Europe,America and south Asia,supplying obsolete and hard-to-find components to meet their specific needs.

With the principle of “Quality Parts,Customers Priority,Honest Operation,and Considerate Service”,our business mainly focus on the distribution of electronic components. Line cards we deal with include Microchip,ALPS,ROHM,Xilinx,Pulse,ON,Everlight and Freescale. Main products comprise IC,Modules,Potentiometer,IC Socket,Relay,Connector.Our parts cover such applications as commercial,industrial, and automotives areas.

We are looking forward to setting up business relationship with you and hope to provide you with the best service and solution. Let us make a better world for our industry!



Contact us

Tel: +86-755-8981 8866 Fax: +86-755-8427 6832

Email & Skype: info@chipsmall.com Web: www.chipsmall.com

Address: A1208, Overseas Decoration Building, #122 Zhenhua RD., Futian, Shenzhen, China



MATERIALS AND FINISHES

PART NO.73413-0050

BODY BRASS
PLATED GOLD

CENTER CONTACT BERYLLIUM COPPER
PLATED GOLD

INSULATOR TEFLON

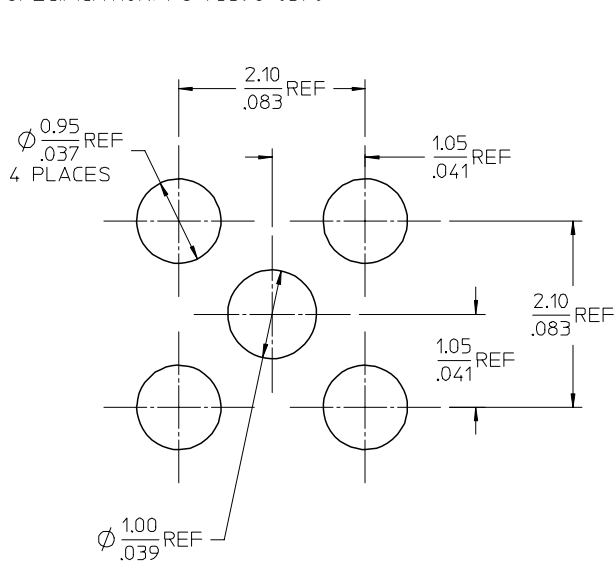
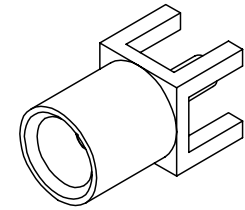
SPECIFICATION: PS-73598-0370

PART NO.73413-0051

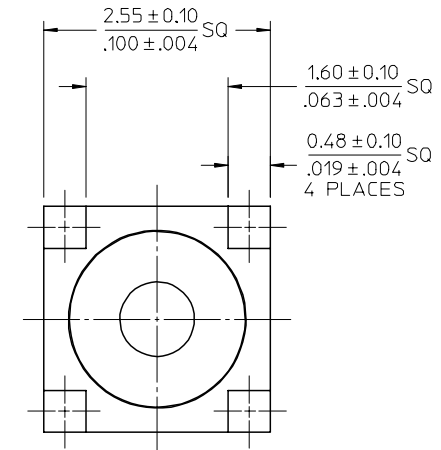
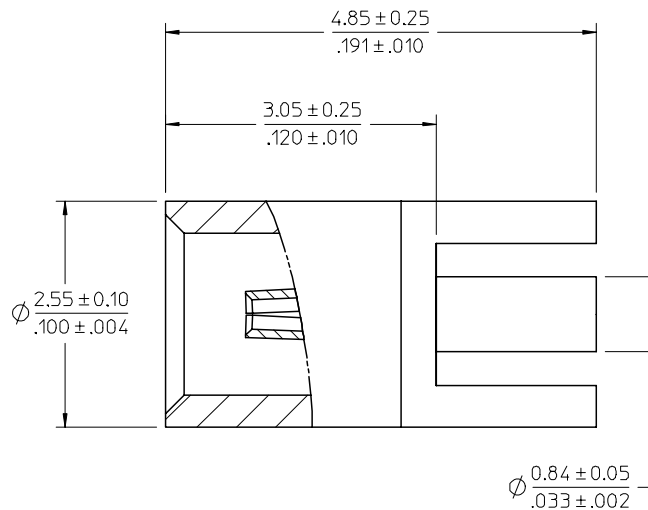
BODY BERYLLIUM COPPER
PLATED TRI-METAL

CENTER CONTACT BERYLLIUM COPPER
PLATED GOLD

INSULATOR TEFLON



RECOMMENDED PCB HOLES



73413-0051	NON-MAGNETIC TYPE
73413-0050	GENERAL TYPE
PART NUMBER	DESCRIPTION

73413-0052	73413-0050, ONE PER BAG
73413-0051	BULK
73413-0050	BULK
PART NO.	PACKAGING

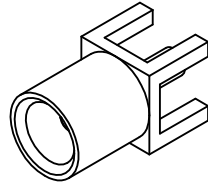
CHG: UPDATED DEPICTION OF BODY AND CONTACT
4.85±0.25 WAS
4.92±0.25, 3.05±0.25
WAS 3.12±0.25
ADDED -0052
EC NO: URF2007-0301
2007/01/29
DRAWN: SHAH
CHKD: FLAHERTY
APPR: JIMENER
2007/01/29
2007/01/29
DESCRIPTION

QUALITY SYMBOLS

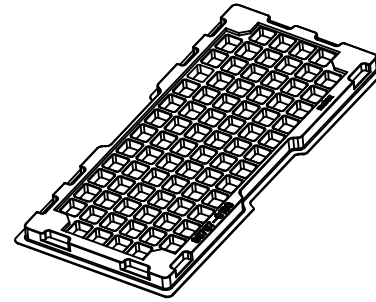
GENERAL TOLERANCES (UNLESS SPECIFIED)	
mm	INCH
4 PLACES ± .010	± .0004
3 PLACES ± .015	± .0005
2 PLACES ± .020	± .0008
1 PLACE ± .030	± .0012
ANGULAR ± 2 °	
DRAFT WHERE APPLICABLE MUST REMAIN WITHIN DIMENSIONS	

DIMENSION STYLE	
MM/IN	
DRAWN BY	DATE
JOHN	2005/03/24
CHECKED BY	DATE
PENNY	2005/03/24
APPROVED BY	DATE
MISEN	2005/03/24
MATERIAL NO.	
SEE TABLE	

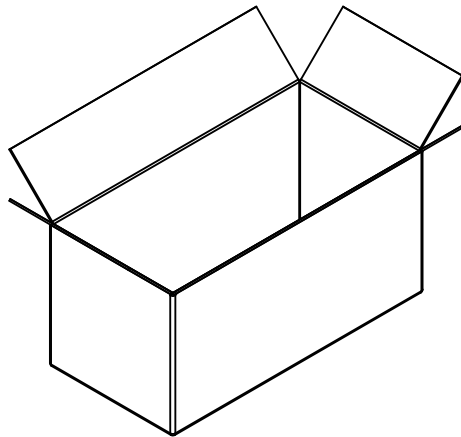
SCALE	DESIGN UNITS	THIRD ANGLE PROJECTION
	METRIC	
SSMCX, 50 OHM VERTICAL JACK PCB TYPE SSMCX-J/PCB		
MOLEX INCORPORATED		
DOCUMENT NO.	SHEET NO.	
SD-73413-005	1 OF 1	
THIS DRAWING CONTAINS INFORMATION THAT IS PROPRIETARY TO MOLEX INCORPORATED AND SHOULD NOT BE USED WITHOUT WRITTEN PERMISSION		



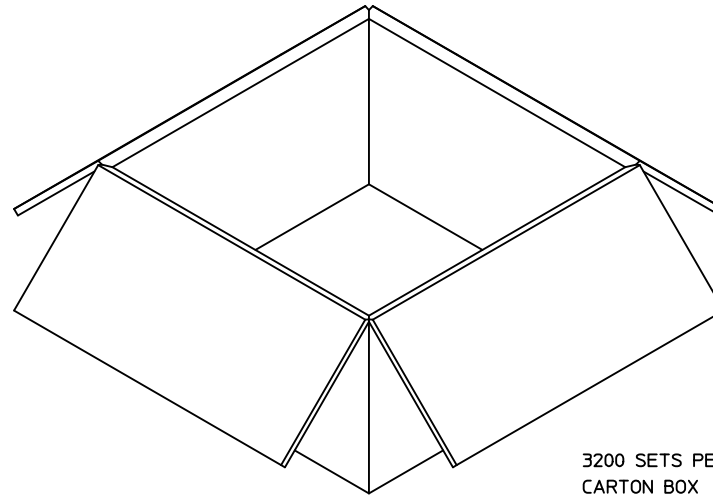
PART NO. 73413-0050



80 SETS PERE TRAY
TRAY P/N 89707-0190
360*165*18.6 MM



1600 SETS PER INNER
CARTON BOX
P/N 96707-0001
367*173*188 MM



3200 SETS PER OUTER
CARTON BOX
P/N 96708-0005
385*367*206 MM

CHG NEW RELEASE CUSTOMER REQUEST ECR: JHF 2012/05/07	DRAWN BY: CHENG 2012/05/08 CHKD: CHENG APPR: MHUANG 2012/05/11	DESCRIPTION 2012/05/11	QUALITY SYMBOLS 	GENERAL TOLERANCES (UNLESS SPECIFIED) <table border="1"> <tr> <td></td> <td>mm</td> <td>INCH</td> </tr> <tr> <td>4 PLACES</td> <td>± ---</td> <td>± ---</td> </tr> <tr> <td>3 PLACES</td> <td>± ---</td> <td>± ---</td> </tr> <tr> <td>2 PLACES</td> <td>± ---</td> <td>± ---</td> </tr> <tr> <td>1 PLACE</td> <td>± ---</td> <td>± ---</td> </tr> <tr> <td>0 PLACE</td> <td>± ---</td> <td>± ---</td> </tr> </table>		mm	INCH	4 PLACES	± ---	± ---	3 PLACES	± ---	± ---	2 PLACES	± ---	± ---	1 PLACE	± ---	± ---	0 PLACE	± ---	± ---	DIMENSION STYLE MM/IN DRAWN BY: YCHENG DATE: 2012/05/08 CHECKED BY: DATE:	SCALE: METRIC DESIGN UNITS: METRIC THIRD ANGLE PROJECTION	TITLE: PACKING FOR 73413-0050
		mm	INCH																						
	4 PLACES	± ---	± ---																						
	3 PLACES	± ---	± ---																						
2 PLACES	± ---	± ---																							
1 PLACE	± ---	± ---																							
0 PLACE	± ---	± ---																							
REV: A	DRAFT WHERE APPLICABLE MUST REMAIN WITHIN DIMENSIONS	ANGULAR ± 2 °	APPROVED BY: MHUANG DATE: 2012/05/11	MATERIAL NO.: -----	DOCUMENT NO.: SD-73413-005PKG	SHEET NO.: 1 OF 1																			
THIS DRAWING CONTAINS INFORMATION THAT IS PROPRIETARY TO MOLEX INCORPORATED AND SHOULD NOT BE USED WITHOUT WRITTEN PERMISSION																									
SIZE: C																									