



Chipsmall Limited consists of a professional team with an average of over 10 year of expertise in the distribution of electronic components. Based in Hongkong, we have already established firm and mutual-benefit business relationships with customers from,Europe,America and south Asia,supplying obsolete and hard-to-find components to meet their specific needs.

With the principle of “Quality Parts,Customers Priority,Honest Operation,and Considerate Service”,our business mainly focus on the distribution of electronic components. Line cards we deal with include Microchip,ALPS,ROHM,Xilinx,Pulse,ON,Everlight and Freescale. Main products comprise IC,Modules,Potentiometer,IC Socket,Relay,Connector.Our parts cover such applications as commercial,industrial, and automotives areas.

We are looking forward to setting up business relationship with you and hope to provide you with the best service and solution. Let us make a better world for our industry!



Contact us

Tel: +86-755-8981 8866 Fax: +86-755-8427 6832

Email & Skype: info@chipsmall.com Web: www.chipsmall.com

Address: A1208, Overseas Decoration Building, #122 Zhenhua RD., Futian, Shenzhen, China



MATERIALS AND FINISHES

BODY
BRASS
PLATED NICKEL

CENTER CONTACT
BERYLLIUM COPPER
PLATED GOLD

INSULATOR
TEFLON

HOUSING
ZINC ALLOY,
PLATED TIN

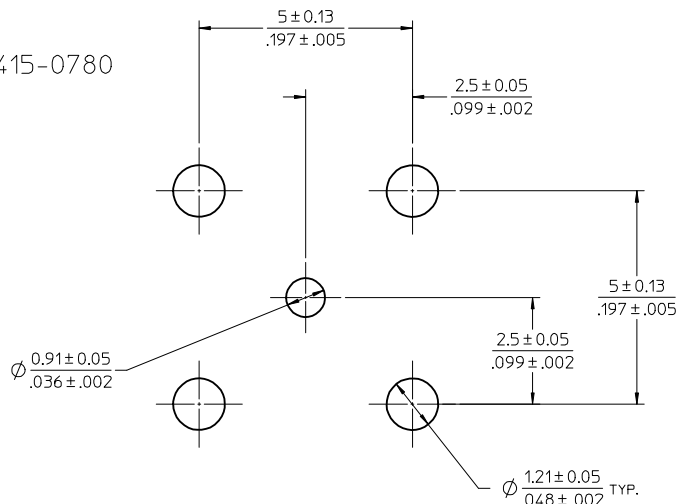
SPECIFICATION
PS-73598-0240

PACKAGING
TRAY

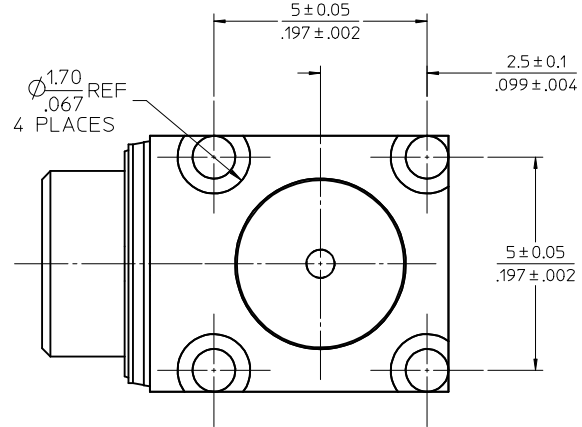
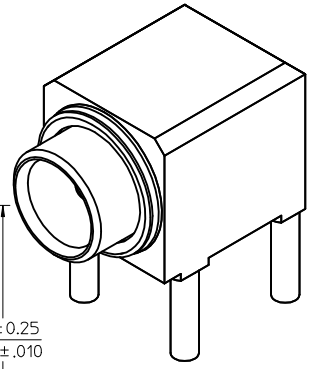
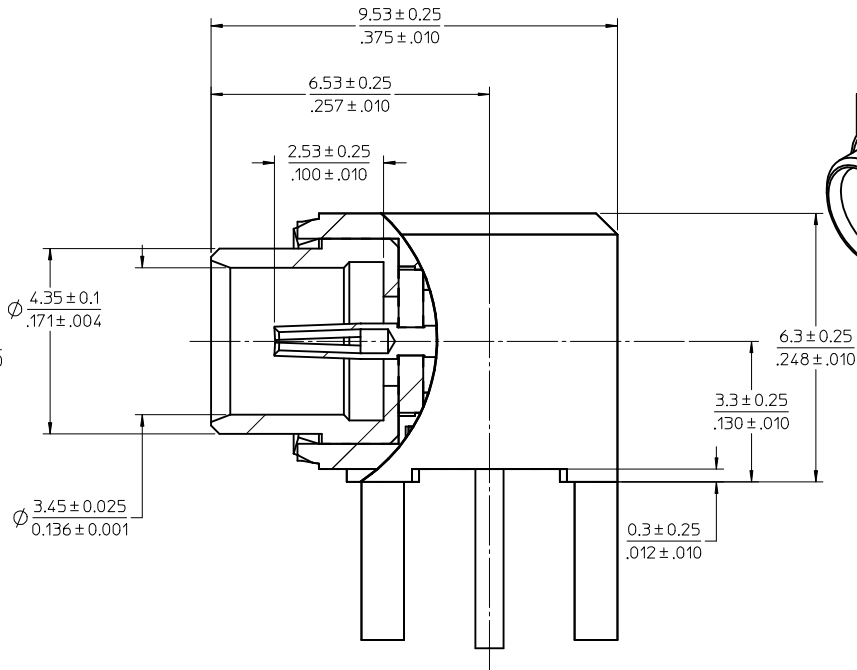
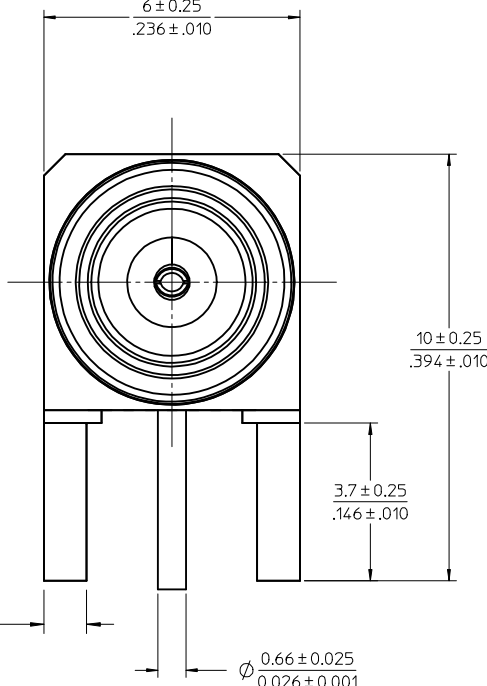
$\varnothing \frac{1.00}{.039}$ REF
4 PLACES

$\varnothing \frac{0.66 \pm 0.025}{0.026 \pm 0.001}$

PART # 73415-0780



RECOMMENDED MOUNTING PATTERN



| CHG: INSULATOR MATERIAL WAS TEFLON AND ULTEM ADD $\varnothing 1.00$ 4 PLACES EC NO: URF2009-0264 DRWN: JWIENER 2008/11/18 CHKD:SSHAI 2008/11/18 APPR: JWIENER 2008/11/18 B2 | QUALITY SYMBOLS ▽=0 ▽=0 | GENERAL TOLERANCES (UNLESS SPECIFIED) <table border="1"> <thead> <tr> <th></th> <th>mm</th> <th>INCH</th> </tr> </thead> <tbody> <tr> <td>4 PLACES</td> <td>± .005</td> <td>± .0002</td> </tr> <tr> <td>3 PLACES</td> <td>± 0.01</td> <td>± .0004</td> </tr> <tr> <td>2 PLACES</td> <td>± 0.13</td> <td>± .005</td> </tr> <tr> <td>1 PLACE</td> <td>± 0.25</td> <td>± .010</td> </tr> </tbody> </table> ANGULAR ± 2° | | mm | INCH | 4 PLACES | ± .005 | ± .0002 | 3 PLACES | ± 0.01 | ± .0004 | 2 PLACES | ± 0.13 | ± .005 | 1 PLACE | ± 0.25 | ± .010 | DIMENSION STYLE MM/IN | SCALE 12:1 | DESIGN UNITS METRIC | THIRD ANGLE PROJECTION |
|---|-------------------------------|---|---|--------------------|------|----------|--------|---------|----------|--------|---------|----------|--------|--------|---------|--------|--------|--------------------------|---------------|------------------------|------------------------|
| | | mm | INCH | | | | | | | | | | | | | | | | | | |
| | 4 PLACES | ± .005 | ± .0002 | | | | | | | | | | | | | | | | | | |
| | 3 PLACES | ± 0.01 | ± .0004 | | | | | | | | | | | | | | | | | | |
| 2 PLACES | ± 0.13 | ± .005 | | | | | | | | | | | | | | | | | | | |
| 1 PLACE | ± 0.25 | ± .010 | | | | | | | | | | | | | | | | | | | |
| DRAWN BY GMH | DATE 1998/10/13 | TITLE MCX JACK 75 OHM R/A PCB TYPE MCX-J/RA/PCB | | | | | | | | | | | | | | | | | | | |
| CHECKED BY EDC | DATE 1998/10/13 | | | | | | | | | | | | | | | | | | | | |
| APPROVED BY GMH | DATE 1998/10/13 | | | | | | | | | | | | | | | | | | | | |
| DRAFT WHERE APPLICABLE MUST REMAIN WITHIN DIMENSIONS | | MATERIAL NO. 734150780 | DOCUMENT NO. SD-73415-078 | MOLEX INCORPORATED | | | | | | | | | | | | | | | | | |
| | | SIZE A2 | THIS DRAWING CONTAINS INFORMATION THAT IS PROPRIETARY TO MOLEX INCORPORATED AND SHOULD NOT BE USED WITHOUT WRITTEN PERMISSION | | | | | | | | | | | | | | | | | | |