



Chipsmall Limited consists of a professional team with an average of over 10 year of expertise in the distribution of electronic components. Based in Hongkong, we have already established firm and mutual-benefit business relationships with customers from,Europe,America and south Asia,supplying obsolete and hard-to-find components to meet their specific needs.

With the principle of “Quality Parts,Customers Priority,Honest Operation,and Considerate Service”,our business mainly focus on the distribution of electronic components. Line cards we deal with include Microchip,ALPS,ROHM,Xilinx,Pulse,ON,Everlight and Freescale. Main products comprise IC,Modules,Potentiometer,IC Socket,Relay,Connector.Our parts cover such applications as commercial,industrial, and automotives areas.

We are looking forward to setting up business relationship with you and hope to provide you with the best service and solution. Let us make a better world for our industry!



## Contact us

Tel: +86-755-8981 8866 Fax: +86-755-8427 6832

Email & Skype: info@chipsmall.com Web: www.chipsmall.com

Address: A1208, Overseas Decoration Building, #122 Zhenhua RD., Futian, Shenzhen, China



MATERIALS AND FINISHES

BODY BRASS  
PLATED SEE TABLE

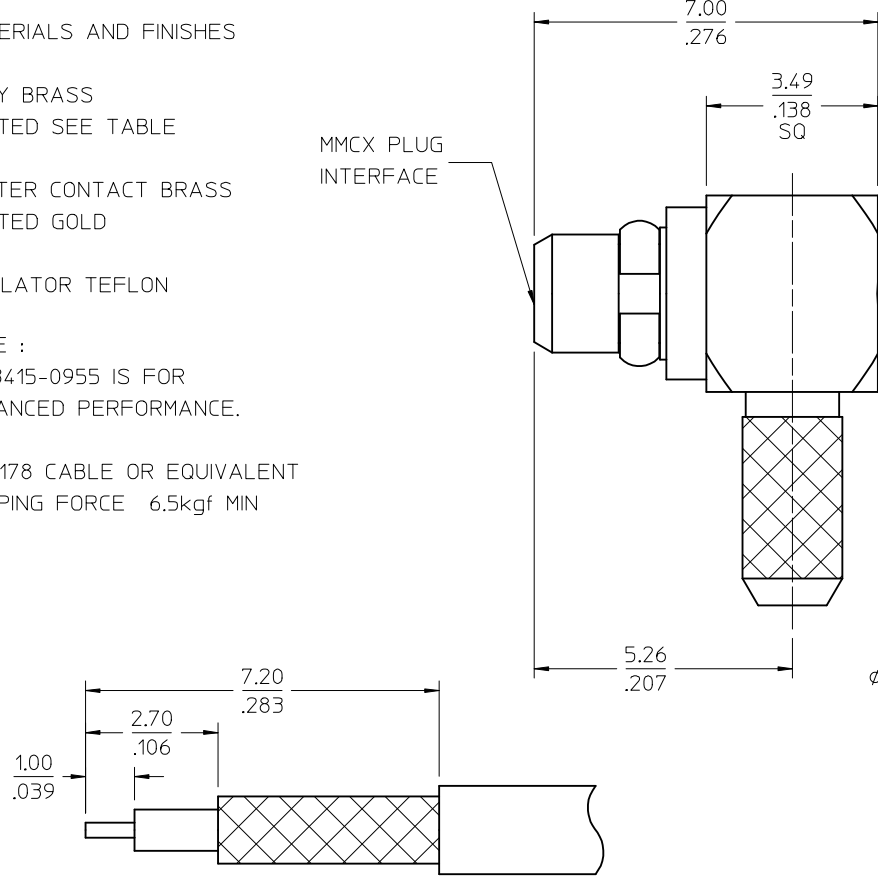
CENTER CONTACT BRASS  
PLATED GOLD

INSULATOR TEFLON

NOTE :  
1) 73415-0955 IS FOR  
ENHANCED PERFORMANCE.

2) RG178 CABLE OR EQUIVALENT  
CRIMPING FORCE 6.5kgf MIN

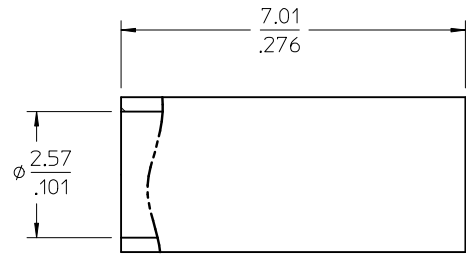
MMCX PLUG  
INTERFACE



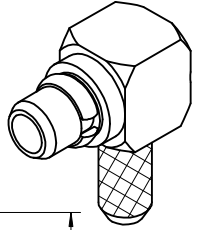
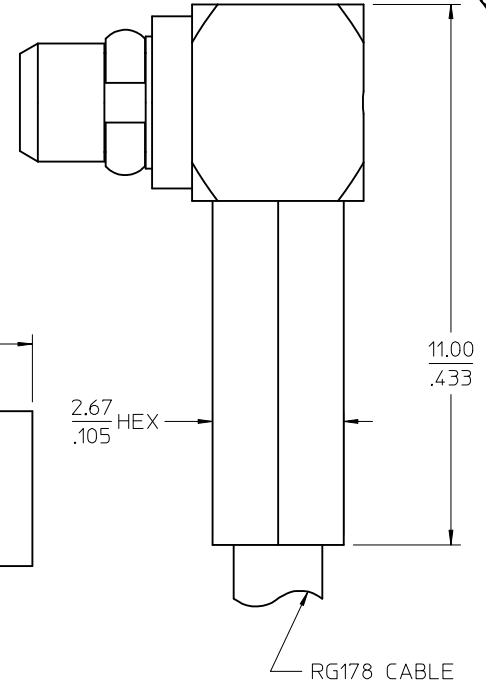
RECOMMENDED STRIP DIMENSIONS



CAP



CRIMP TUBE



RG178 CABLE

AS-89678-070	CABLE ASSY INSTRUCTION
ES-73599-0000-015	INTERFACE
PS-89675-1920	ELECTRO/MECH PERFORM.
SPECIFICATION	DESCRIPTION

73415-0955	GOLD OVER NICKEL PER COMMERCIAL REQUIREMENTS	BAG
73415-0954	GOLD OVER NICKEL PER COMMERCIAL REQUIREMENTS	BAG
73415-0953	GOLD OVER NICKEL PER COMMERCIAL REQUIREMENTS	73415-0951, ONE PER BAG
73415-0952	NICKEL	BAG
73415-0951	GOLD OVER NICKEL PER COMMERCIAL REQUIREMENTS	BAG
73415-0950	GOLD OVER NICKEL PER MILITARY REQUIREMENTS	BAG
PART NO.	PLATING	PACKAGING

CHGPACKING UPDATE BAG WAS BULK EWR R/F16-E0154	EC NO:	2016/09/13
	DRWN:YCHENG	2016/09/19
CHKD:		
APPR:YCHENG		
REV	DESCRIPTION	
5		

QUALITY SYMBOLS ▽=0 ▽=0	GENERAL TOLERANCES (UNLESS SPECIFIED)	DIMENSION STYLE MM/IN	SCALE	DESIGN UNITS METRIC	THIRD ANGLE PROJECTION
	4 PLACES ± --- ± ---	mm INCH	DRAWN BY DATE EDC 1999/01/27	TITLE MMCX PLUG 50 OHMS R/A FOR RG178 CABLE MMCX-P/RG178	
3 PLACES ± --- ± ---		CHECKED BY DATE EDC 1999/01/27	APPROVED BY DATE MHUANG 2010/02/23	MOLEX INCORPORATED	
2 PLACES ± --- ± ---			MATERIAL NO.	DOCUMENT NO.	SHEET NO.
1 PLACE ± --- ± ---			SEE TABLE	SD-73415-095	1 OF 1
ANGULAR ± 2 °	DRAFT WHERE APPLICABLE MUST REMAIN WITHIN DIMENSIONS		THIS DRAWING CONTAINS INFORMATION THAT IS PROPRIETARY TO MOLEX INCORPORATED AND SHOULD NOT BE USED WITHOUT WRITTEN PERMISSION		