



Chipsmall Limited consists of a professional team with an average of over 10 year of expertise in the distribution of electronic components. Based in Hongkong, we have already established firm and mutual-benefit business relationships with customers from,Europe,America and south Asia,supplying obsolete and hard-to-find components to meet their specific needs.

With the principle of “Quality Parts,Customers Priority,Honest Operation,and Considerate Service”,our business mainly focus on the distribution of electronic components. Line cards we deal with include Microchip,ALPS,ROHM,Xilinx,Pulse,ON,Everlight and Freescale. Main products comprise IC,Modules,Potentiometer,IC Socket,Relay,Connector.Our parts cover such applications as commercial,industrial, and automotives areas.

We are looking forward to setting up business relationship with you and hope to provide you with the best service and solution. Let us make a better world for our industry!



## Contact us

Tel: +86-755-8981 8866 Fax: +86-755-8427 6832

Email & Skype: info@chipsmall.com Web: www.chipsmall.com

Address: A1208, Overseas Decoration Building, #122 Zhenhua RD., Futian, Shenzhen, China



MATERIALS AND FINISHES

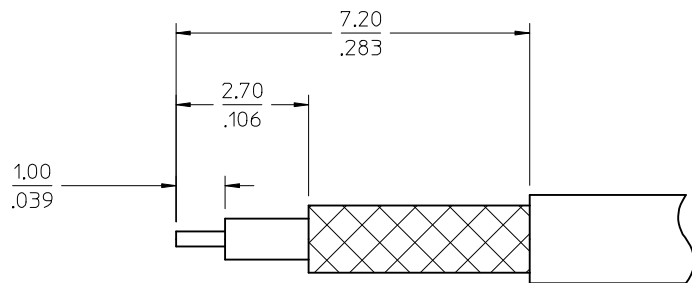
BODY BRASS  
PLATED SEE TABLE

CENTER CONTACT BRASS  
PLATED GOLD

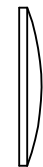
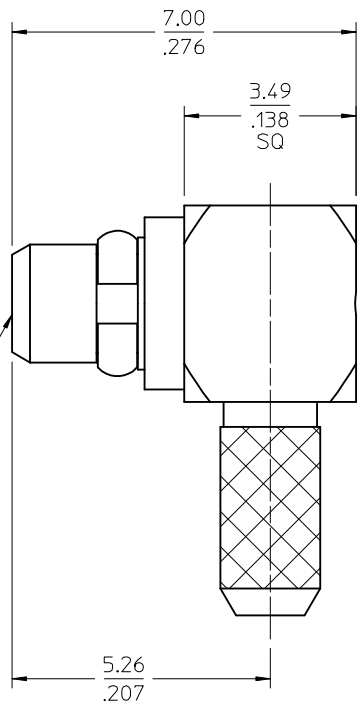
INSULATOR TEFLON

NOTE :  
73415-0955 IS FOR ENHANCED PERFORMANCE.

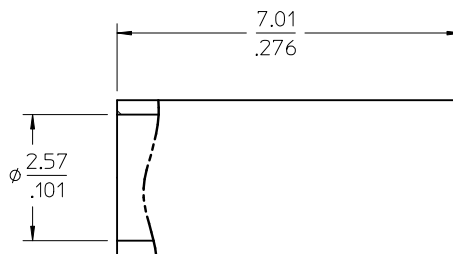
MMCX PLUG  
INTERFACE



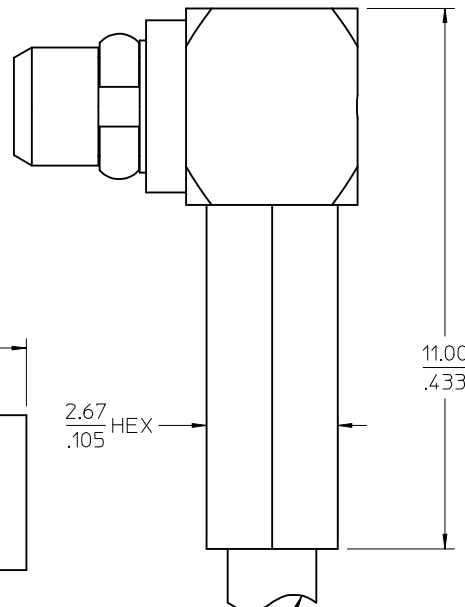
RECOMMENDED STRIP DIMENSIONS



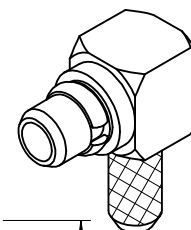
CAP



CRIMP TUBE



RG178 CABLE



ES-73599-0000-015	INTERFACE
PS-89675-1920	ELECTRO/MECH PERFORM.
SPECIFICATION	DESCRIPTION

73415-0955	GOLD OVER NICKEL PER COMMERCIAL REQUIREMENTS	BULK
73415-0954	GOLD OVER NICKEL PER COMMERCIAL REQUIREMENTS	BULK
73415-0953	GOLD OVER NICKEL PER COMMERCIAL REQUIREMENTS	73415-0951, ONE PER BAG
73415-0952	NICKEL	BULK
73415-0951	GOLD OVER NICKEL PER COMMERCIAL REQUIREMENTS	BULK
73415-0950	GOLD OVER NICKEL PER MILITARY REQUIREMENTS	BULK
PART NO.	PLATING	PACKAGING

CHG: PS CHANGE PS-89675-1920 WAS PS-89675-1930	DRWN: YCHENG CHKD: APPR: MHUANG	2012/08/09 2012/08/21	QUALITY SYMBOLS ▽=0 ▽=0
--	---------------------------------------	--------------------------	-------------------------------

DESCRIPTION	REV
C1	

GENERAL TOLERANCES (UNLESS SPECIFIED)	DIMENSION STYLE MM/IN
4 PLACES ± --- ± ---	DRAWN BY DATE
3 PLACES ± --- ± ---	CHECKED BY DATE
2 PLACES ± --- ± ---	EDC 1999/01/27
1 PLACE ± --- ± ---	EDC 1999/01/27
ANGULAR ± 2 °	APPROVED BY DATE
	MHUANG 2010/02/23
DRAFT WHERE APPLICABLE MUST REMAIN WITHIN DIMENSIONS	MATERIAL NO.
	SEE TABLE

SCALE	DESIGN UNITS METRIC	THIRD ANGLE PROJECTION
TITLE		
MMCX PLUG 50 OHMS R/A FOR RG178 CABLE MMCX-P/RG178		
APPROVED BY DATE		
MHUANG 2010/02/23		
MATERIAL NO.		
SEE TABLE		
DOCUMENT NO.		
SD-73415-095		
SHEET NO.		1 OF 1

MOLEX INCORPORATED	
THIS DRAWING CONTAINS INFORMATION THAT IS PROPRIETARY TO MOLEX INCORPORATED AND SHOULD NOT BE USED WITHOUT WRITTEN PERMISSION	