



Chipsmall Limited consists of a professional team with an average of over 10 year of expertise in the distribution of electronic components. Based in Hongkong, we have already established firm and mutual-benefit business relationships with customers from,Europe,America and south Asia,supplying obsolete and hard-to-find components to meet their specific needs.

With the principle of "Quality Parts,Customers Priority,Honest Operation,and Considerate Service",our business mainly focus on the distribution of electronic components. Line cards we deal with include Microchip,ALPS,ROHM,Xilinx,Pulse,ON,Everlight and Freescale. Main products comprise IC,Modules,Potentiometer,IC Socket,Relay,Connector.Our parts cover such applications as commercial,industrial, and automotives areas.

We are looking forward to setting up business relationship with you and hope to provide you with the best service and solution. Let us make a better world for our industry!



## Contact us

Tel: +86-755-8981 8866 Fax: +86-755-8427 6832

Email & Skype: info@chipsmall.com Web: www.chipsmall.com

Address: A1208, Overseas Decoration Building, #122 Zhenhua RD., Futian, Shenzhen, China

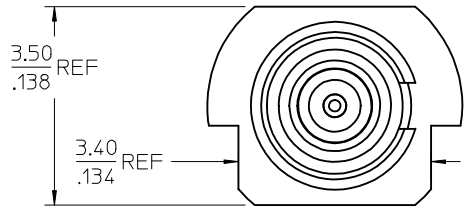
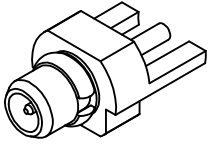


MATERIALS AND FINISHES

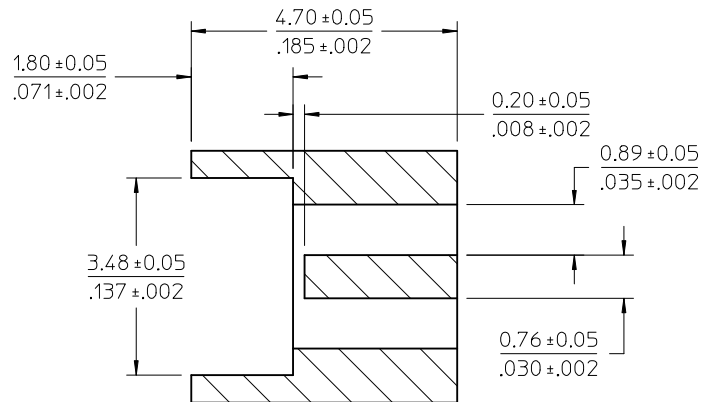
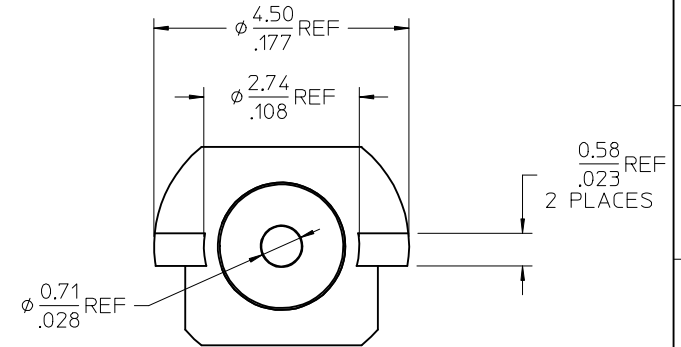
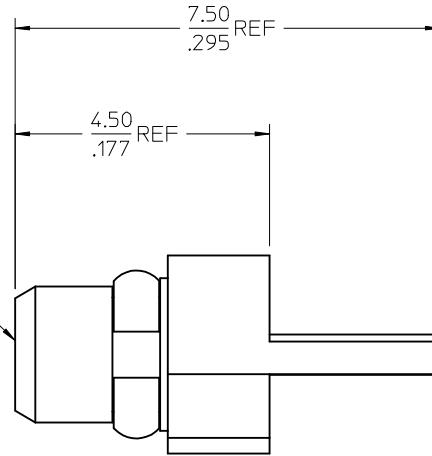
BODY BRASS  
PLATED GOLD

CENTER CONTACT BRASS  
PLATED GOLD

INSULATOR TEFLON



MMCX PLUG  
INTERFACE



BOARD MATERIAL: FR4, 1.4mm(.055) THICK  
PCB LAYOUT WITH GROUND PLANE

73415-0993	P/N 73415-0991, ONE PER BAG
73415-0992	PER COMMERICAL REQUIREMENTS, TAPE AND REEL
73415-0991	PER COMMERICAL REQUIREMENTS, PACKAGING-BULK
73415-0990	PER MILITARY REQUIREMENTS, PACKAGING-BULK
PART NO.	PLATING AND PACKAGING

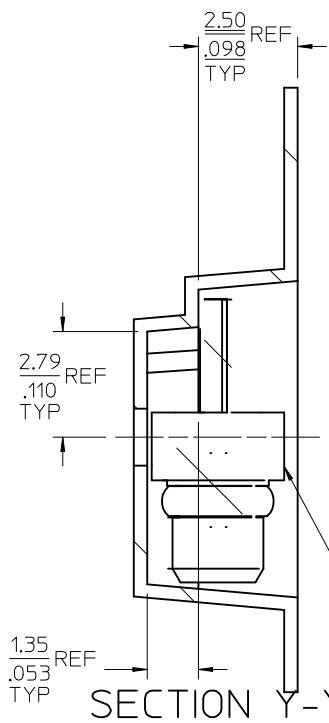
CECC 22 340	INTERFACE
PS-89675-1920	ELECTRO/MECH PERFORM.
SPECIFICATION	DESCRIPTION

CHG: PS WAS -1910  
INTERFACE WAS  
ES-73599-0000-0150

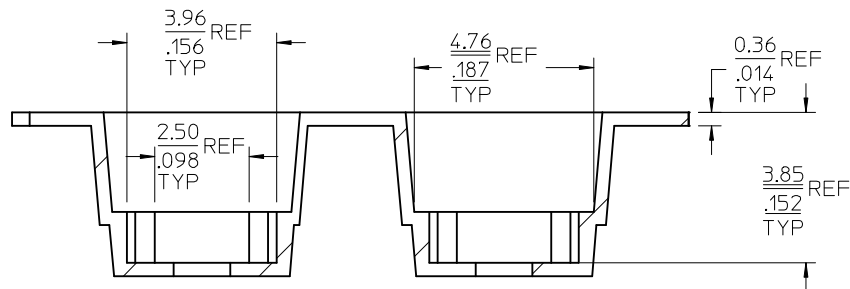
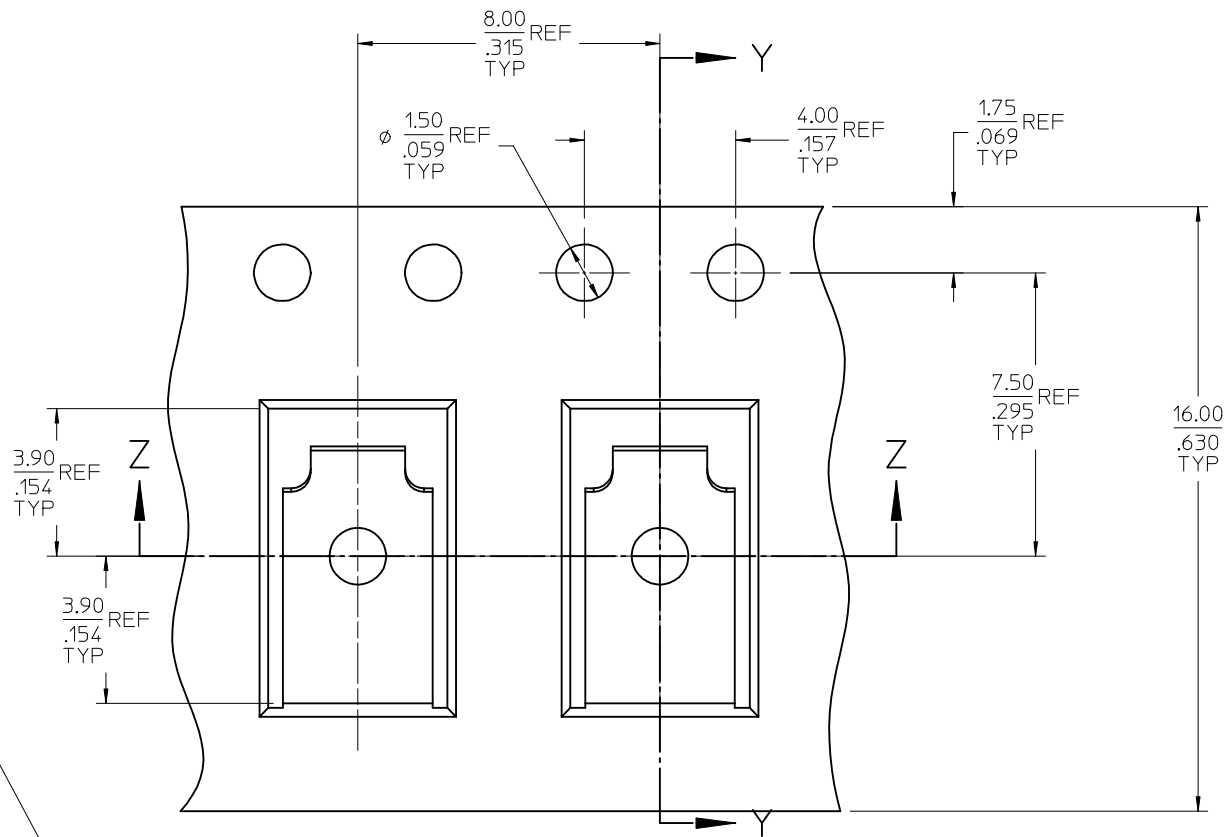
EC NO: URF2013-0542  
DRWN: WIENER 2013/04/02  
CHKD: SSS 2013/04/02  
APPR: WIENER 2013/04/02

REV E3

QUALITY SYMBOLS	GENERAL TOLERANCES (UNLESS SPECIFIED)		DIMENSION STYLE	SCALE	DESIGN UNITS	THIRD ANGLE PROJECTION
			MM/IN		METRIC	
$\nabla = 0$	4 PLACES ±	mm INCH	DRAWN BY DATE	TITLE	MMCX PLUG, EDGE MOUNT LAUNCHER, 50 OHMS MMCX-P/PCB <b>molex</b>	
$\nabla = 0$	3 PLACES ±		EDC 1999/03/18	CHECKED BY DATE		
$\nabla = 0$	2 PLACES ±		TEF 1999/11/24	APPROVED BY DATE		
	1 PLACE ±		GMH 1999/11/24	MATERIAL NO.		
	0 PLACE ±			DOCUMENT NO.		
ANGULAR ± 2 °			SEE TABLE		SD-73415-099	SHEET NO.
DRAFT WHERE APPLICABLE MUST REMAIN WITHIN DIMENSIONS			SIZE C		1 OF 4	
THIS DRAWING CONTAINS INFORMATION THAT IS PROPRIETARY TO MOLEX INCORPORATED AND SHOULD NOT BE USED WITHOUT WRITTEN PERMISSION						



MOLEX P/N 73415-0991  
1200 PLACES



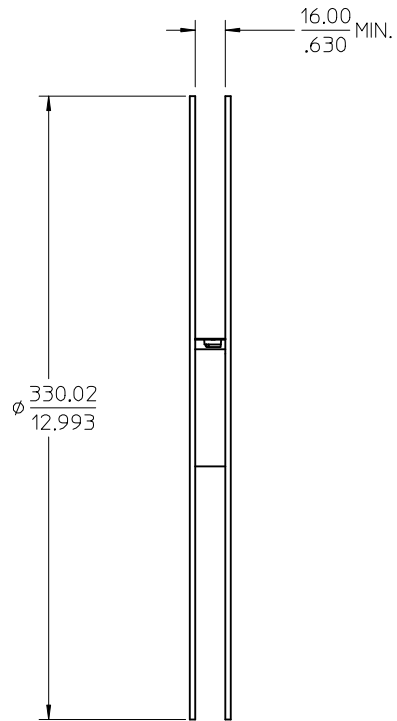
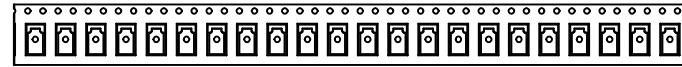
SECTION Z-Z

NOTE:

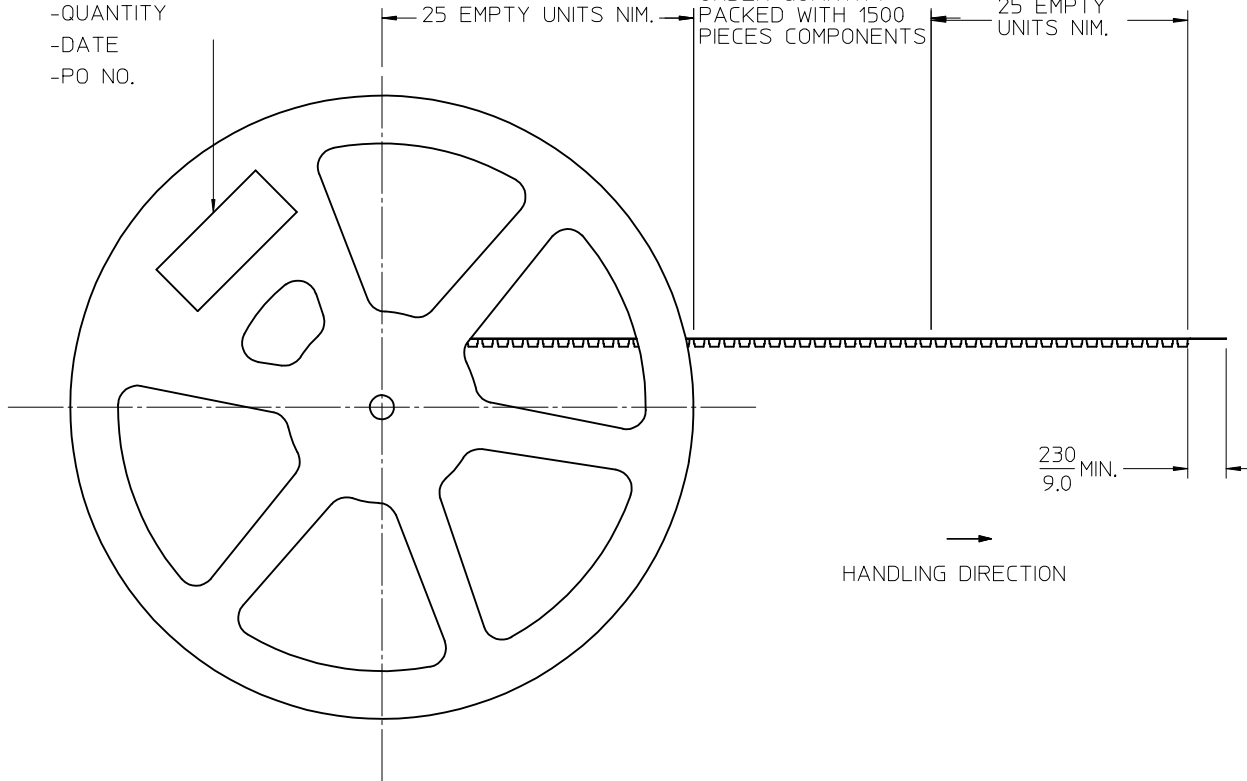
1. DIMENSIONS ARE PROVIDED FOR REFERENCE ONLY.

<b>SEE SHEET 1</b> EC NO: URF2013-0542 DRWN: JWIENER 2013/04/02 CHKD: SSS 2013/04/02 APPR: JWIENER 2013/04/02	QUALITY SYMBOLS 	GENERAL TOLERANCES (UNLESS SPECIFIED)		DIMENSION STYLE <b>MM/IN</b>	SCALE	DESIGN UNITS <b>METRIC</b>	THIRD ANGLE PROJECTION	
		4 PLACES ± --- ± --- 3 PLACES ± --- ± --- 2 PLACES ± --- ± --- 1 PLACE ± --- ± --- 0 PLACE ± ±	mm INCH ± --- ± --- ± --- ± --- ± --- ± --- ± --- ± --- ± ±	DRAWN BY EDC	DATE 1999/03/18	TITLE <b>MMCX PLUG, EDGE MOUNT LAUNCHER, 50 OHMS MMCX-P/PCB</b>	MATERIAL NO. <b>SEE SHEET 1</b>	DOCUMENT NO. <b>SD-73415-099</b>
<b>E3</b>	REV	ANGULAR ± 2 °		DRAFT WHERE APPLICABLE MUST REMAIN WITHIN DIMENSIONS				THIS DRAWING CONTAINS INFORMATION THAT IS PROPRIETARY TO MOLEX INCORPORATED AND SHOULD NOT BE USED WITHOUT WRITTEN PERMISSION

NOTE:  
13" REEL SIZE FOR 1500 PIECES



LABEL  
-PART NUMBER  
-QUANTITY  
-DATE  
-PO NO.



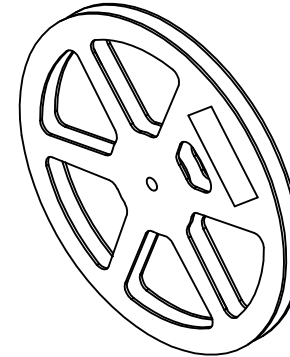
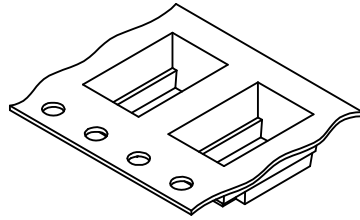
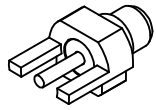
ORDER QUANTITY  
PACKED WITH 1500  
PIECES COMPONENTS

25 EMPTY  
UNITS NIM.

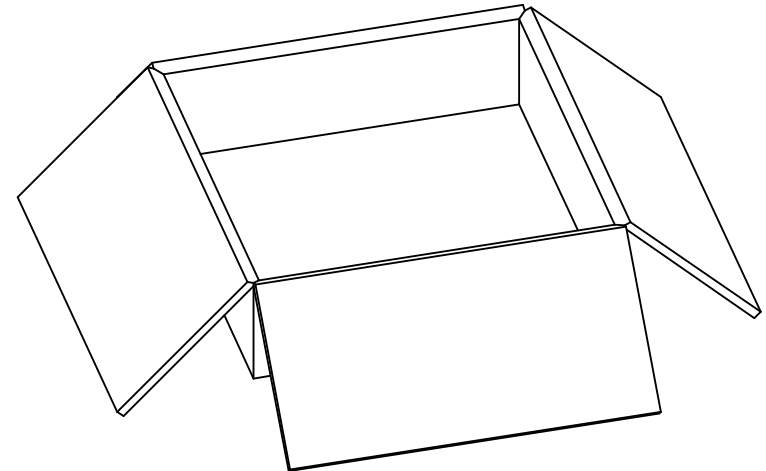
230  
9.0  
MIN.

→  
HANDLING DIRECTION

<b>SEE SHEET 1</b> EC NO: URF2013-0542 DRWN: JWIENER 2013/04/02 CHKD: SSS 2013/04/02 APPR: JWIENER 2013/04/02	REV <b>E3</b>	DESCRIPTION QUALITY SYMBOLS ▽=0 ▽=0 ▽=0	GENERAL TOLERANCES (UNLESS SPECIFIED)		DIMENSION STYLE <b>MM/IN</b>		SCALE	DESIGN UNITS <b>METRIC</b>	THIRD ANGLE PROJECTION
			mm	INCH	DRAWN BY	DATE	TITLE		
			4 PLACES ± ---	± ---	EDC	1999/03/18	<b>MMCX PLUG, EDGE MOUNT LAUNCHER, 50 OHMS MMCX-P/PCB</b>  		
			3 PLACES ± ---	± ---	CHECKED BY	DATE			
2 PLACES ± ---	± ---	TEF	1999/11/24						
1 PLACE ± ---	± ---	APPROVED BY	DATE						
0 PLACE ±	±	GMH	1999/11/24	MATERIAL NO.	DOCUMENT NO.	SHEET NO.			
ANGULAR ± 2 ° DRAFT WHERE APPLICABLE MUST REMAIN WITHIN DIMENSIONS			<b>SEE SHEET 1</b>		<b>SD-73415-099</b>		3 OF 4		
THIS DRAWING CONTAINS INFORMATION THAT IS PROPRIETARY TO MOLEX INCORPORATED AND SHOULD NOT BE USED WITHOUT WRITTEN PERMISSION									



1500 SET PER 13" REEL



6000 SET PER OUTER  
CARTON BOX  
339 X 339 X 100 REF.

PART NO.  
73415-0992

SEE SHEET 1 EC NO: URF2013-0542 2013/04/02 DRWN:JWIENER 2013/04/02 CHKD:SSS 2013/04/02 APPR:JWIENER 2013/04/02	QUALITY SYMBOLS	GENERAL TOLERANCES (UNLESS SPECIFIED)		DIMENSION STYLE	SCALE	DESIGN UNITS	THIRD ANGLE PROJECTION
	▽=0	mm	INCH	MM/IN		METRIC	
	▽=0	4 PLACES ±	---	±	---		
	▽=0	3 PLACES ±	---	±	---		
REV	DESCRIPTION	ANGULAR ± 2 °		DRAWN BY	DATE	TITLE	
E3		DRAFT WHERE APPLICABLE MUST REMAIN WITHIN DIMENSIONS		EDC	1999/03/18	MMCX PLUG, EDGE MOUNT LAUNCHER, 50 OHMS MMCX-P/PCB	
				CHECKED BY	DATE	<b>molex</b>	SHEET NO.
				TEF	1999/11/24		4 OF 4
				APPROVED BY	DATE	DOCUMENT NO.	
				GMH	1999/11/24	SD-73415-099	
				MATERIAL NO.			
				SEE SHEET 1			
				THIS DRAWING CONTAINS INFORMATION THAT IS PROPRIETARY TO MOLEX INCORPORATED AND SHOULD NOT BE USED WITHOUT WRITTEN PERMISSION			