



Chipsmall Limited consists of a professional team with an average of over 10 year of expertise in the distribution of electronic components. Based in Hongkong, we have already established firm and mutual-benefit business relationships with customers from,Europe,America and south Asia,supplying obsolete and hard-to-find components to meet their specific needs.

With the principle of “Quality Parts,Customers Priority,Honest Operation,and Considerate Service”,our business mainly focus on the distribution of electronic components. Line cards we deal with include Microchip,ALPS,ROHM,Xilinx,Pulse,ON,Everlight and Freescale. Main products comprise IC,Modules,Potentiometer,IC Socket,Relay,Connector.Our parts cover such applications as commercial,industrial, and automotives areas.

We are looking forward to setting up business relationship with you and hope to provide you with the best service and solution. Let us make a better world for our industry!



## Contact us

Tel: +86-755-8981 8866 Fax: +86-755-8427 6832

Email & Skype: info@chipsmall.com Web: www.chipsmall.com

Address: A1208, Overseas Decoration Building, #122 Zhenhua RD., Futian, Shenzhen, China

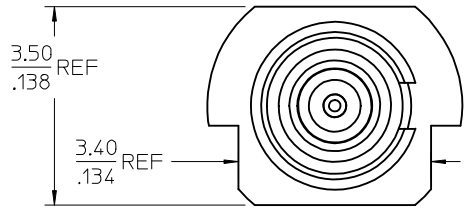
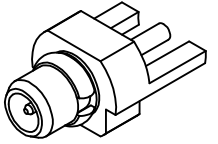


MATERIALS AND FINISHES

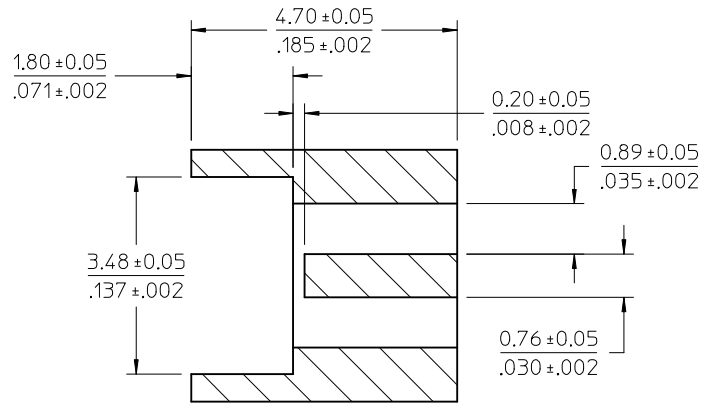
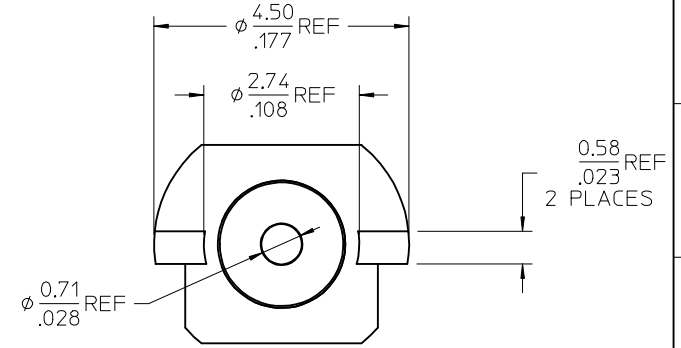
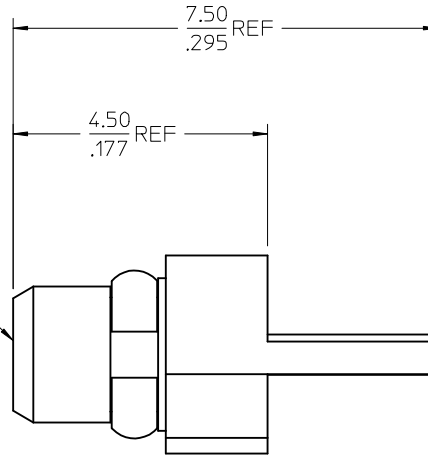
BODY BRASS  
PLATED GOLD

CENTER CONTACT BRASS  
PLATED GOLD

INSULATOR TEFLON



MMCX PLUG  
INTERFACE



BOARD MATERIAL: FR4, 1.4mm(.055) THICK  
PCB LAYOUT WITH GROUND PLANE

CECC 22 340	INTERFACE
PS-89675-1920	ELECTRO/MECH PERFORM.
SPECIFICATION	DESCRIPTION

73415-0993	P/N 73415-0991, ONE PER BAG
73415-0992	PER COMMERCIAL REQUIREMENTS, TAPE AND REEL
73415-0991	PER COMMERCIAL REQUIREMENTS, BAG-500 PCS
73415-0990	PER MILITARY REQUIREMENTS, BAG-500 PCS
PART NO.	PLATING AND PACKAGING

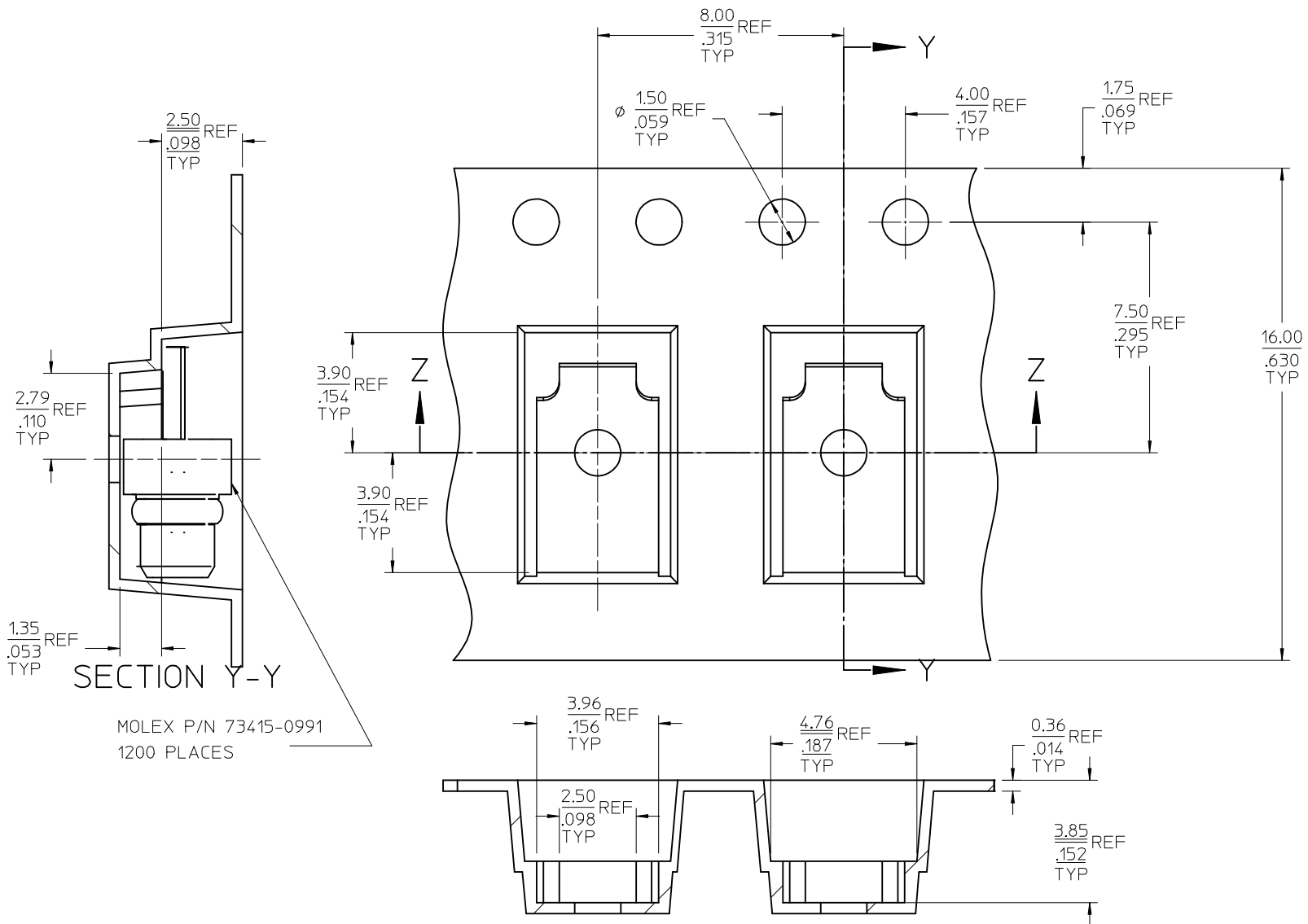
CHG:73415-0990-0991  
PACKING UPDATE  
BAG-500 PCS WAS  
BULK RF16-E097  
EWR RF16-E097  
EC NO: URF2016-0872  
DRWN:YCHENG 2016/06/24  
CHKD:  
APPR:YCHENG 2016/06/28  
REV

QUALITY SYMBOLS	DESCRIPTION
▽=0	
▽=0	
▽=0	

GENERAL TOLERANCES (UNLESS SPECIFIED)	
4 PLACES ±	---
3 PLACES ±	---
2 PLACES ±	---
1 PLACE ±	---
0 PLACE ±	---
ANGULAR ± 2 °	
DRAFT WHERE APPLICABLE MUST REMAIN WITHIN DIMENSIONS	

DIMENSION STYLE		SCALE	DESIGN UNITS	THIRD ANGLE PROJECTION
MM/IN			METRIC	
DRAWN BY	DATE	TITLE		
EDC	1999/03/18	MMCX PLUG, EDGE MOUNT LAUNCHER, 50 OHMS MMCX-P/PCB		
CHECKED BY	DATE	molex		
TEF	1999/11/24			
APPROVED BY	DATE	SD-73415-099		
GMH	1999/11/24	1 OF 4		
MATERIAL NO.		DOCUMENT NO.		
SEE TABLE		SD-73415-099		
SIZE		THIS DRAWING CONTAINS INFORMATION THAT IS PROPRIETARY TO MOLEX INCORPORATED AND SHOULD NOT BE USED WITHOUT WRITTEN PERMISSION		

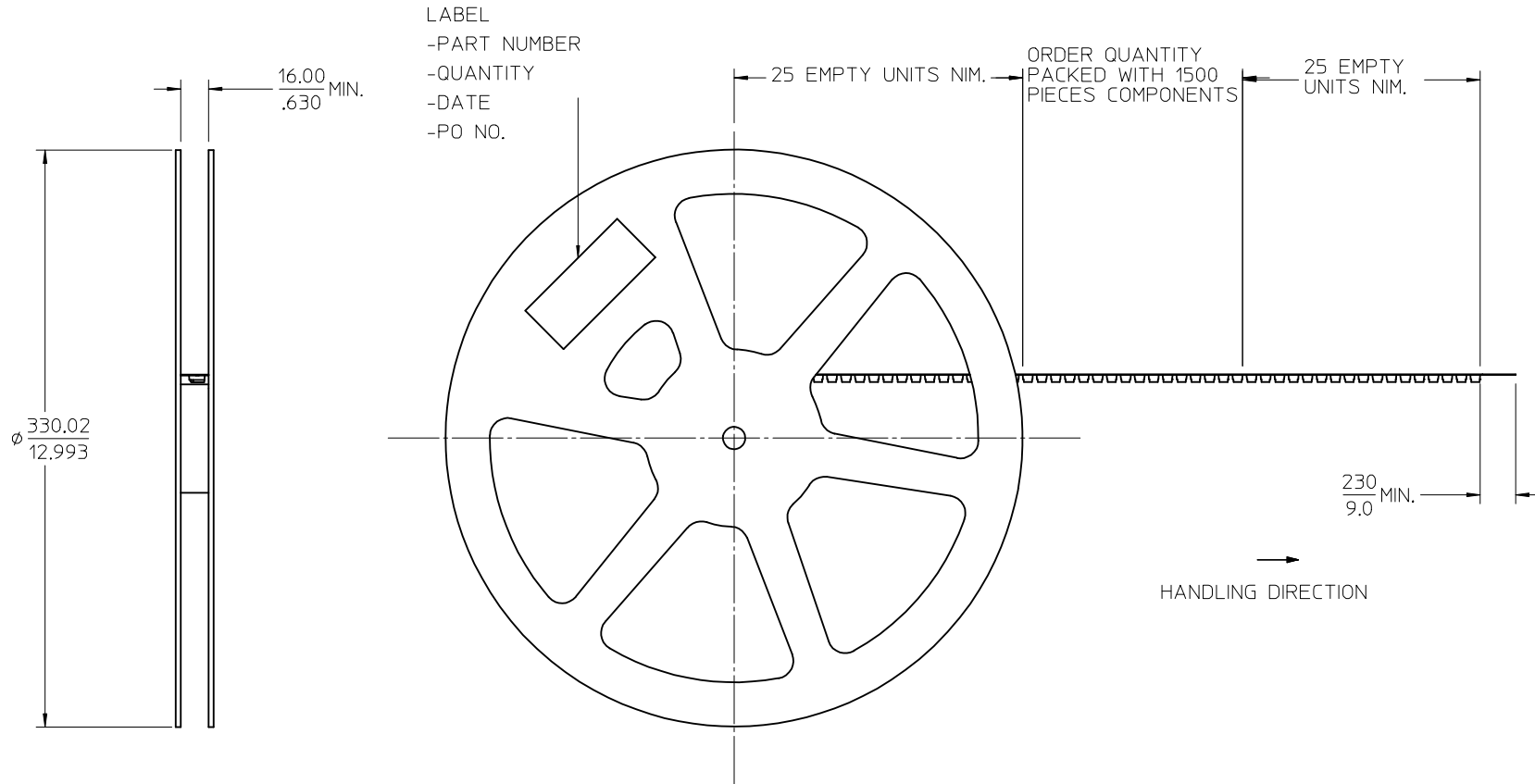
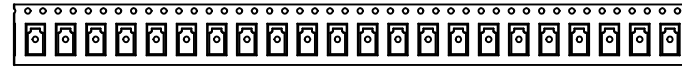
MATERIAL NO.		DOCUMENT NO.		SHEET NO.
SEE TABLE		SD-73415-099		1 OF 4
THIS DRAWING CONTAINS INFORMATION THAT IS PROPRIETARY TO MOLEX INCORPORATED AND SHOULD NOT BE USED WITHOUT WRITTEN PERMISSION				



NOTE:  
1. DIMENSIONS ARE PROVIDED FOR REFERENCE ONLY.

SEE SHEET 1 EC NO: URF2016-0872 DRWN: YCHENG 2016/06/24 CHKD: APPR: YCHENG 2016/06/28 REV: E4	QUALITY SYMBOLS ▽=0 ▽=0 ▽=0	GENERAL TOLERANCES (UNLESS SPECIFIED) <table border="1"> <thead> <tr> <th></th> <th>mm</th> <th>INCH</th> </tr> </thead> <tbody> <tr> <td>4 PLACES</td> <td>± .010</td> <td>± .0004</td> </tr> <tr> <td>3 PLACES</td> <td>± .015</td> <td>± .0006</td> </tr> <tr> <td>2 PLACES</td> <td>± .020</td> <td>± .0008</td> </tr> <tr> <td>1 PLACE</td> <td>± .030</td> <td>± .0012</td> </tr> <tr> <td>0 PLACE</td> <td>± .040</td> <td>± .0016</td> </tr> </tbody> </table>		mm	INCH	4 PLACES	± .010	± .0004	3 PLACES	± .015	± .0006	2 PLACES	± .020	± .0008	1 PLACE	± .030	± .0012	0 PLACE	± .040	± .0016	DIMENSION STYLE MM/IN DRAWN BY DATE EDC 1999/03/18 CHECKED BY DATE TEF 1999/11/24 APPROVED BY DATE GMH 1999/11/24	SCALE DESIGN UNITS METRIC THIRD ANGLE PROJECTION	TITLE MMCX PLUG, EDGE MOUNT LAUNCHER, 50 OHMS MMCX-P/PCB <b>molex</b>
		mm	INCH																				
	4 PLACES	± .010	± .0004																				
	3 PLACES	± .015	± .0006																				
2 PLACES	± .020	± .0008																					
1 PLACE	± .030	± .0012																					
0 PLACE	± .040	± .0016																					
ANGULAR ± 2 ° DRAFT WHERE APPLICABLE MUST REMAIN WITHIN DIMENSIONS		MATERIAL NO. <b>SEE SHEET 1</b>	DOCUMENT NO. SD-73415-099	SHEET NO. 2 OF 4																			
THIS DRAWING CONTAINS INFORMATION THAT IS PROPRIETARY TO MOLEX INCORPORATED AND SHOULD NOT BE USED WITHOUT WRITTEN PERMISSION																							

NOTE:  
13" REEL SIZE FOR 1500 PIECES



LABEL  
-PART NUMBER  
-QUANTITY  
-DATE  
-PO NO.

ORDER QUANTITY  
PACKED WITH 1500  
PIECES COMPONENTS

25 EMPTY  
UNITS NIM.

$\varnothing$  330.02  
12.993

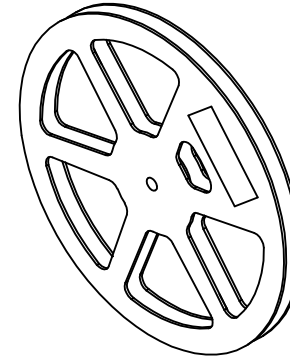
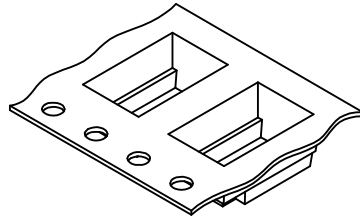
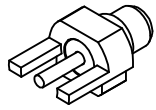
16.00  
.630 MIN.

25 EMPTY UNITS NIM.

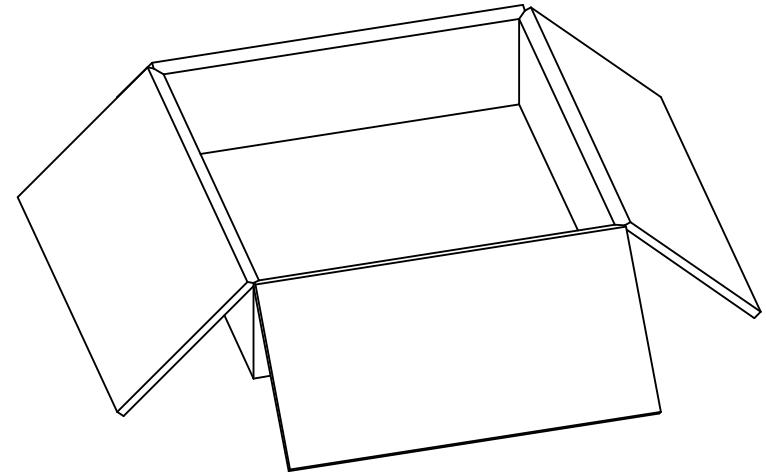
230  
9.0 MIN.

→  
HANDLING DIRECTION

<b>SEE SHEET 1</b> EC NO: URF2016-0872 DRAWN: YCHENG 2016/06/24 CHKD: APPR: YCHENG 2016/06/28	QUALITY SYMBOLS $\nabla = 0$ $\nabla = 0$ $\nabla = 0$	GENERAL TOLERANCES (UNLESS SPECIFIED) <table border="1"> <tr> <td></td> <td>mm</td> <td>INCH</td> </tr> <tr> <td>4 PLACES</td> <td>± .005</td> <td>± .0005</td> </tr> <tr> <td>3 PLACES</td> <td>± .005</td> <td>± .0005</td> </tr> <tr> <td>2 PLACES</td> <td>± .005</td> <td>± .0005</td> </tr> <tr> <td>1 PLACE</td> <td>± .005</td> <td>± .0005</td> </tr> <tr> <td>0 PLACE</td> <td>± .005</td> <td>± .0005</td> </tr> </table>		mm	INCH	4 PLACES	± .005	± .0005	3 PLACES	± .005	± .0005	2 PLACES	± .005	± .0005	1 PLACE	± .005	± .0005	0 PLACE	± .005	± .0005	DIMENSION STYLE <b>MM/IN</b> DRAWN BY DATE EDC 1999/03/18 CHECKED BY DATE TEF 1999/11/24 APPROVED BY DATE GMH 1999/11/24	SCALE DESIGN UNITS <b>METRIC</b> THIRD ANGLE PROJECTION	TITLE <b>MMCX PLUG, EDGE MOUNT LAUNCHER, 50 OHMS MMCX-P/PCB</b> <b>molex</b>
		mm	INCH																				
	4 PLACES	± .005	± .0005																				
	3 PLACES	± .005	± .0005																				
2 PLACES	± .005	± .0005																					
1 PLACE	± .005	± .0005																					
0 PLACE	± .005	± .0005																					
MATERIAL NO. <b>SEE SHEET 1</b>	DOCUMENT NO. <b>SD-73415-099</b>	SHEET NO. <b>3 OF 4</b>																					
DRAFT WHERE APPLICABLE MUST REMAIN WITHIN DIMENSIONS			THIS DRAWING CONTAINS INFORMATION THAT IS PROPRIETARY TO MOLEX INCORPORATED AND SHOULD NOT BE USED WITHOUT WRITTEN PERMISSION																				
REV <b>E4</b>																							



1500 SET PER 13" REEL



6000 SET PER OUTER  
CARTON BOX  
339 X 339 X 100 REF.

PART NO.  
73415-0992

SEE SHEET 1 EC NO: URF2016-0872 DRAWN: YCHENG 2016/06/24 CHKD: APPR: YCHENG 2016/06/28	QUALITY SYMBOLS	GENERAL TOLERANCES (UNLESS SPECIFIED)	DIMENSION STYLE	SCALE	DESIGN UNITS	THIRD ANGLE PROJECTION
	▽=0	mm INCH	MM/IN		METRIC	
	▽=0	4 PLACES ± --- ± ---	DRAWN BY DATE	TITLE		
	▽=0	3 PLACES ± --- ± ---	CHECKED BY DATE			
REV	DESCRIPTION	ANGULAR ± 2 °	APPROVED BY DATE			
F4		DRAFT WHERE APPLICABLE MUST REMAIN WITHIN DIMENSIONS	GMH 1999/11/24			
			MATERIAL NO.	DOCUMENT NO.		SHEET NO.
			SEE SHEET 1	SD-73415-099		4 OF 4
			THIS DRAWING CONTAINS INFORMATION THAT IS PROPRIETARY TO MOLEX INCORPORATED AND SHOULD NOT BE USED WITHOUT WRITTEN PERMISSION			