



Chipsmall Limited consists of a professional team with an average of over 10 year of expertise in the distribution of electronic components. Based in Hongkong, we have already established firm and mutual-benefit business relationships with customers from,Europe,America and south Asia,supplying obsolete and hard-to-find components to meet their specific needs.

With the principle of “Quality Parts,Customers Priority,Honest Operation,and Considerate Service”,our business mainly focus on the distribution of electronic components. Line cards we deal with include Microchip,ALPS,ROHM,Xilinx,Pulse,ON,Everlight and Freescale. Main products comprise IC,Modules,Potentiometer,IC Socket,Relay,Connector.Our parts cover such applications as commercial,industrial, and automotives areas.

We are looking forward to setting up business relationship with you and hope to provide you with the best service and solution. Let us make a better world for our industry!



Contact us

Tel: +86-755-8981 8866 Fax: +86-755-8427 6832

Email & Skype: info@chipsmall.com Web: www.chipsmall.com

Address: A1208, Overseas Decoration Building, #122 Zhenhua RD., Futian, Shenzhen, China

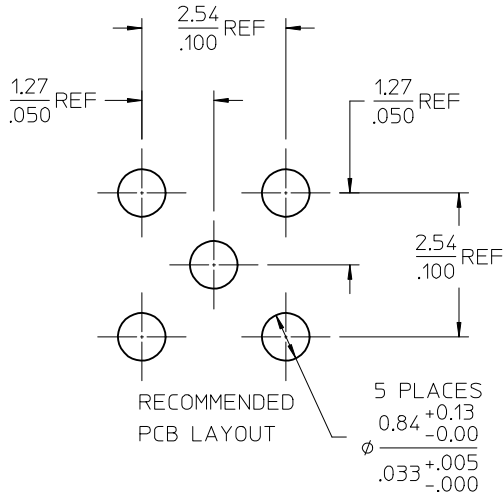
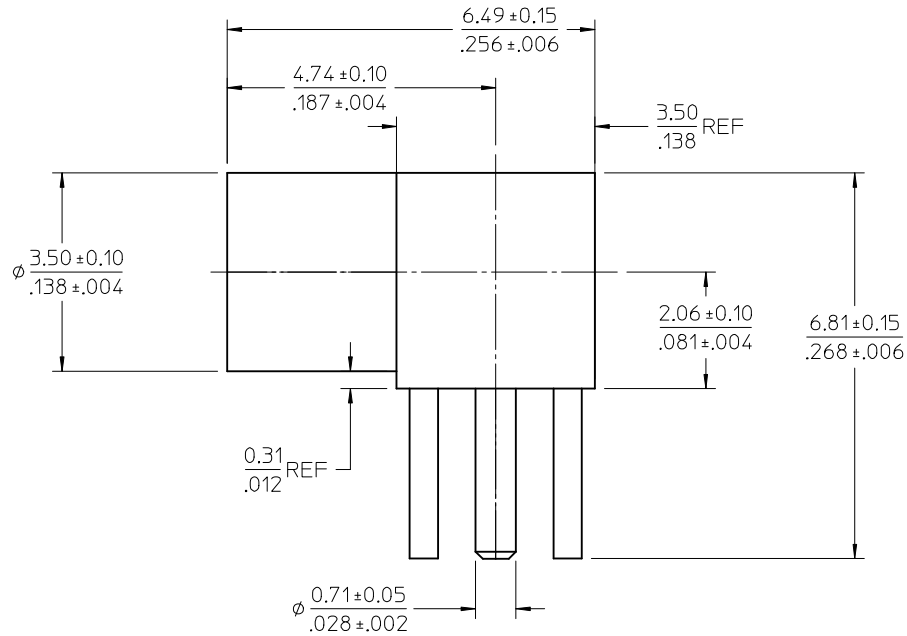
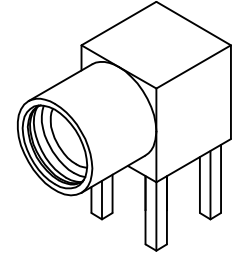


MATERIALS AND FINISHES

BODY: BRASS
PLATED SEE TABLE

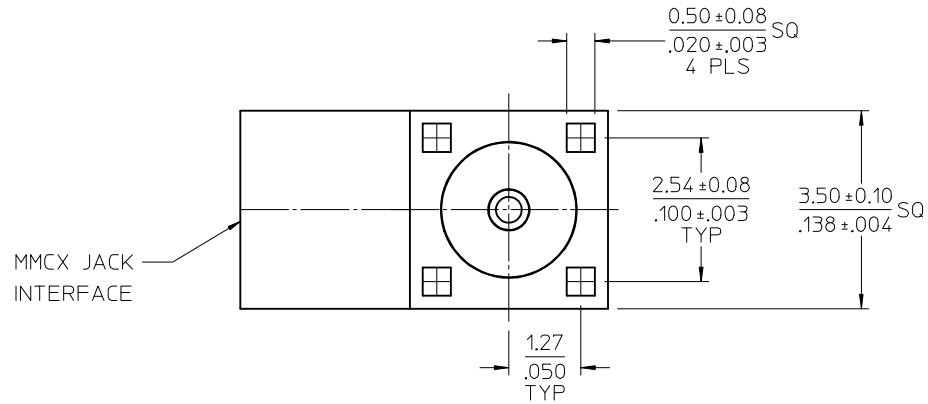
CENTER: CONTACT BERYLLIUM COPPER
PLATED GOLD

INSULATOR: TEFLON



RECOMMENDED
PCB LAYOUT

5 PLACES
0.84 +0.13
-0.00
0.33 +0.005
-.000



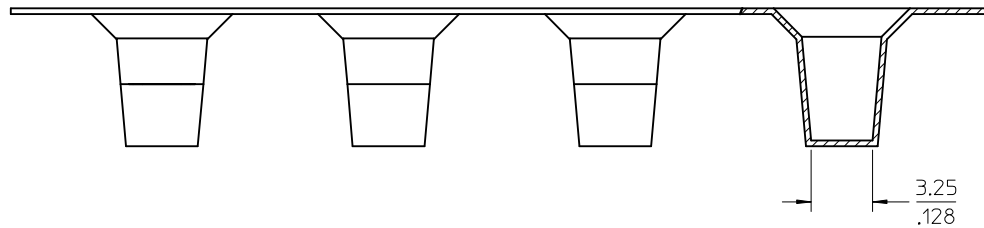
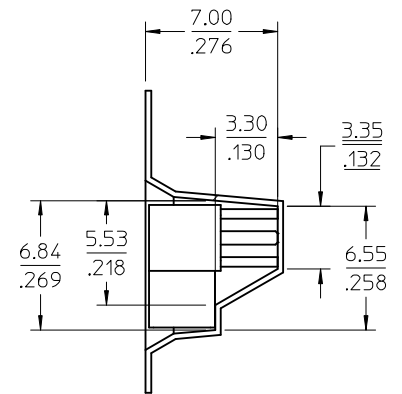
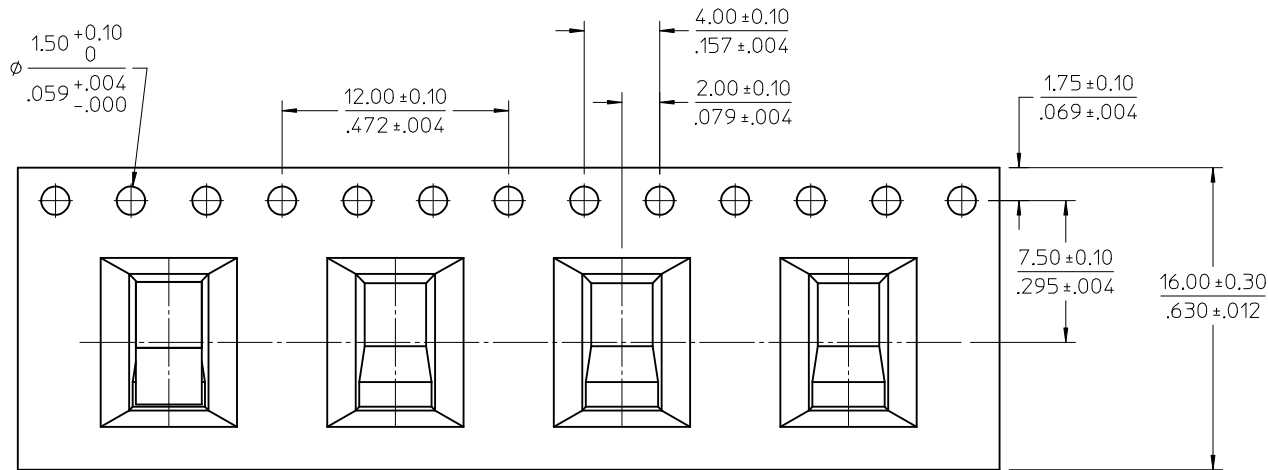
73415-1004	GOLD (COMMERCIAL)	TAPE & REEL
73415-1003	TRI-M	TRAY
73415-1002	GOLD (COMMERCIAL)	ONE PER BAG
73415-1001	GOLD (COMMERCIAL)	TRAY
73415-1000	GOLD (MILITARY)	TRAY
PART NO.	BODY PLATING	PACKAGING

PS-89675-1920	ELECTRICAL/MECHANICAL
SPECIFICATION	DESCRIPTION

CHG: 1000/-1001/-1003 PKG TRAY WAS BULK PER RF15-E198	EC NO: URF2015-0621	DRWN: CME102	2015/05/07
CHKD:	APPR: YCHENG	2015/05/15	
REV	DESCRIPTION		
D5			

QUALITY SYMBOLS	GENERAL TOLERANCES (UNLESS SPECIFIED)
▽=0	mm INCH
▽=0	4 PLACES ± --- ± ---
▽=0	3 PLACES ± --- ± ---
	2 PLACES ± --- ± ---
	1 PLACE ± --- ± ---
	0 PLACE ± ±
	ANGULAR ± 2 °
	DRAFT WHERE APPLICABLE MUST REMAIN WITHIN DIMENSIONS

DIMENSION STYLE		SCALE	DESIGN UNITS	THIRD ANGLE PROJECTION
MM/IN			METRIC	
DRAWN BY	DATE	TITLE		
JM	2005/07/22	MMCX JACK, R/A, PCB		
CHECKED BY	DATE	50 OHMS		
JM	2005/07/22	MMCX-J/PCB EWR-2734		
APPROVED BY	DATE	molex		
JDW	2005/07/22	DOCUMENT NO. SD-73415-100		
MATERIAL NO.	SIZE	SHEET NO. 1 OF 3		
	C	THIS DRAWING CONTAINS INFORMATION THAT IS PROPRIETARY TO MOLEX INCORPORATED AND SHOULD NOT BE USED WITHOUT WRITTEN PERMISSION		

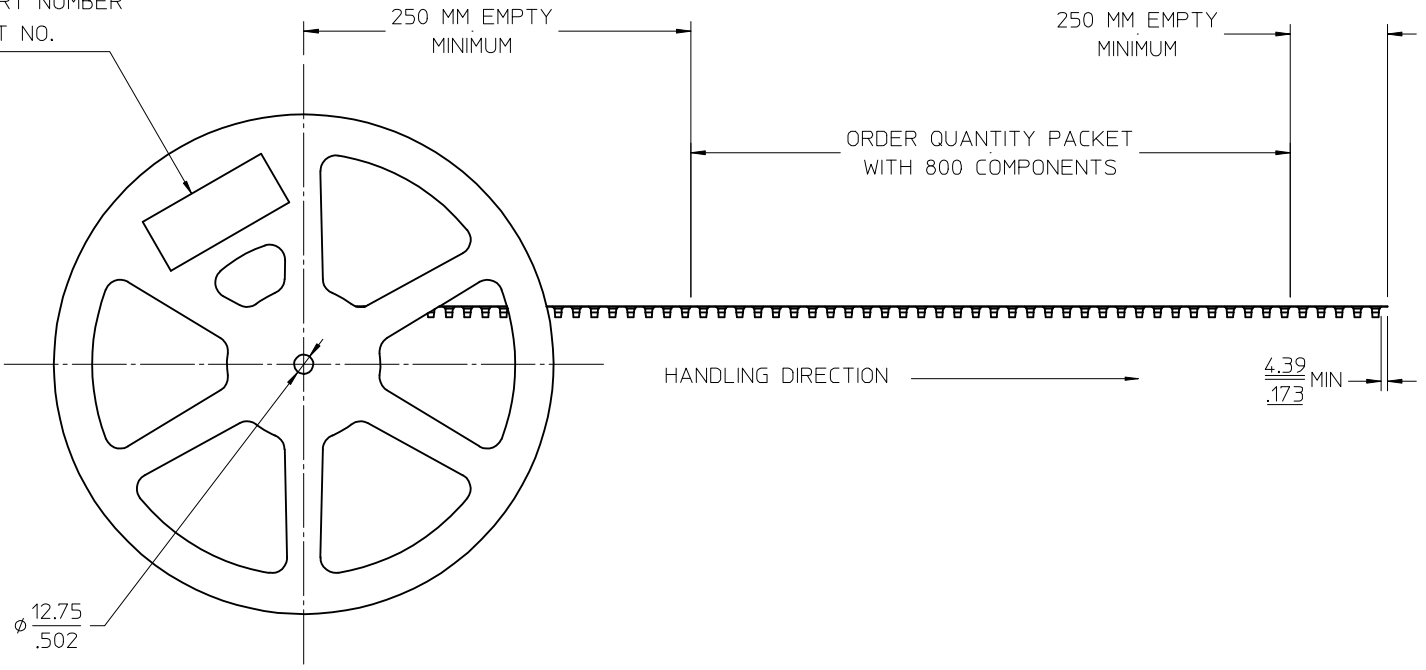
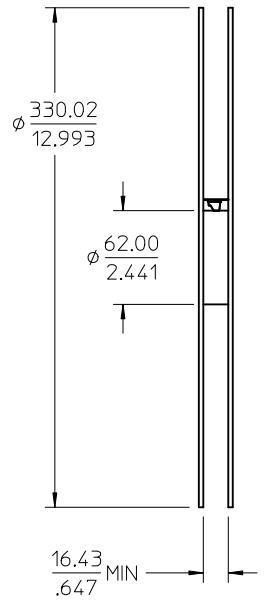


PACKING DESCRIPTION :

1. MATERIAL : PS BLACK-THICKNESS : 0.40±0.05 MM

SEE SHEET 1 IEC NO: URF2015-0621 DRAWN: CWE102 2015/05/07 CHKD: APPR: YCHENG 2015/05/15 REV: D5	QUALITY SYMBOLS $\nabla = 0$ $\nabla = 0$ $\nabla = 0$	GENERAL TOLERANCES (UNLESS SPECIFIED) <table border="1"> <thead> <tr> <th></th> <th>mm</th> <th>INCH</th> </tr> </thead> <tbody> <tr> <td>4 PLACES</td> <td>± ---</td> <td>± ---</td> </tr> <tr> <td>3 PLACES</td> <td>± ---</td> <td>± ---</td> </tr> <tr> <td>2 PLACES</td> <td>± ---</td> <td>± ---</td> </tr> <tr> <td>1 PLACE</td> <td>± ---</td> <td>± ---</td> </tr> <tr> <td>0 PLACE</td> <td>±</td> <td>±</td> </tr> </tbody> </table>		mm	INCH	4 PLACES	± ---	± ---	3 PLACES	± ---	± ---	2 PLACES	± ---	± ---	1 PLACE	± ---	± ---	0 PLACE	±	±	DIMENSION STYLE MM/IN	SCALE DESIGN UNITS METRIC	THIRD ANGLE PROJECTION
		mm	INCH																				
	4 PLACES	± ---	± ---																				
	3 PLACES	± ---	± ---																				
2 PLACES	± ---	± ---																					
1 PLACE	± ---	± ---																					
0 PLACE	±	±																					
		ANGULAR ± 2° DRAFT WHERE APPLICABLE MUST REMAIN WITHIN DIMENSIONS	DRAWN BY JM CHECKED BY JM APPROVED BY JDW	DATE 2005/07/22 DATE 2005/07/22 DATE 2005/07/22	TITLE MMCX JACK, R/A, PCB 50 OHMS MMCX-J/PCB EWR-2734																		
			MATERIAL NO. SEE SHEET 1	DOCUMENT NO. SD-73415-100	SHEET NO. 2 OF 3																		
			THIS DRAWING CONTAINS INFORMATION THAT IS PROPRIETARY TO MOLEX INCORPORATED AND SHOULD NOT BE USED WITHOUT WRITTEN PERMISSION																				

LABEL:
 -ORDER NO.
 -QUANTITY
 -PART NUMBER
 -LOT NO.



PACKING DESCRIPTION :
 1. COMPONENT LOAD PER 13" REEL : 800 PCS
 2. DIMENSION ARE PROVIDED FOR REFERENCE ONLY

SEE SHEET 1
 EC NO: URF2015-0621
 DRWN:WE102 2015/05/07
 CHKD:
 APPR:YCHENG 2015/05/15

REV	DESCRIPTION
D5	

QUALITY SYMBOLS	GENERAL TOLERANCES (UNLESS SPECIFIED)	
	mm	INCH
$\nabla = 0$	4 PLACES ± .---	± .---
$\nabla = 0$	3 PLACES ± .---	± .---
$\nabla = 0$	2 PLACES ± .---	± .---
	1 PLACE ± .---	± .---
	0 PLACE ±	±
	ANGULAR ± 2 °	
	DRAFT WHERE APPLICABLE MUST REMAIN WITHIN DIMENSIONS	

DIMENSION STYLE	
MM/IN	
DRAWN BY	DATE
JM	2005/07/22
CHECKED BY	DATE
JM	2005/07/22
APPROVED BY	DATE
JDW	2005/07/22
MATERIAL NO.	
SEE SHEET 1	
SIZE	
C	

SCALE	DESIGN UNITS	THIRD ANGLE PROJECTION
	METRIC	
TITLE		
MMCX JACK, R/A, PCB		
50 OHMS		
MMCX-J/PCB EWR-2734		
molex		
DOCUMENT NO.	SHEET NO.	
SD-73415-100	3 OF 3	
THIS DRAWING CONTAINS INFORMATION THAT IS PROPRIETARY TO MOLEX INCORPORATED AND SHOULD NOT BE USED WITHOUT WRITTEN PERMISSION		