



Chipsmall Limited consists of a professional team with an average of over 10 year of expertise in the distribution of electronic components. Based in Hongkong, we have already established firm and mutual-benefit business relationships with customers from,Europe,America and south Asia,supplying obsolete and hard-to-find components to meet their specific needs.

With the principle of “Quality Parts,Customers Priority,Honest Operation,and Considerate Service”,our business mainly focus on the distribution of electronic components. Line cards we deal with include Microchip,ALPS,ROHM,Xilinx,Pulse,ON,Everlight and Freescale. Main products comprise IC,Modules,Potentiometer,IC Socket,Relay,Connector.Our parts cover such applications as commercial,industrial, and automotives areas.

We are looking forward to setting up business relationship with you and hope to provide you with the best service and solution. Let us make a better world for our industry!



## Contact us

Tel: +86-755-8981 8866 Fax: +86-755-8427 6832

Email & Skype: info@chipsmall.com Web: www.chipsmall.com

Address: A1208, Overseas Decoration Building, #122 Zhenhua RD., Futian, Shenzhen, China




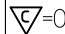
MATERIALS AND FINISHES

SEE SD-73415-106

P/N: 73366-6330: THIS IS P/N: 73415-1063 PLACED IN A SINGLE BAG WITH LABEL

CHG: RELEASE  
DRAWING.  
EC NO: URF-2011-0652  
DRAWN: AROBERTSON 2011/05/04  
CHKD: SSS 2011/05/04  
APPR: JWIENER 2011/05/05

DESCRIPTION  
REV: A

QUALITY SYMBOLS  
 =0  
 =0

GENERAL TOLERANCES (UNLESS SPECIFIED)

	mm	INCH
4 PLACES	± .---	± .---
3 PLACES	± .---	± .---
2 PLACES	± .---	± .---
1 PLACE	± .---	± .---
ANGULAR	± ---°	

DRAFT WHERE APPLICABLE  
MUST REMAIN  
WITHIN DIMENSIONS

DIMENSION STYLE  
MM/IN

DRAWN BY	DATE
AROBERTSON	2011/05/04
CHECKED BY	DATE
SSS	2011/05/04
APPROVED BY	DATE
JWIENER	2011/05/05

MATERIAL NO. SEE TABLE

SCALE  
DESIGN UNITS  
METRIC

THIRD ANGLE PROJECTION

TITLE  
MCX JACK  
EDGELAUNCH SMT PCB  
MCX-J/PCB

MOLEX INCORPORATED

DOCUMENT NO. SD-73366-633

SHEET NO. 1 OF 1

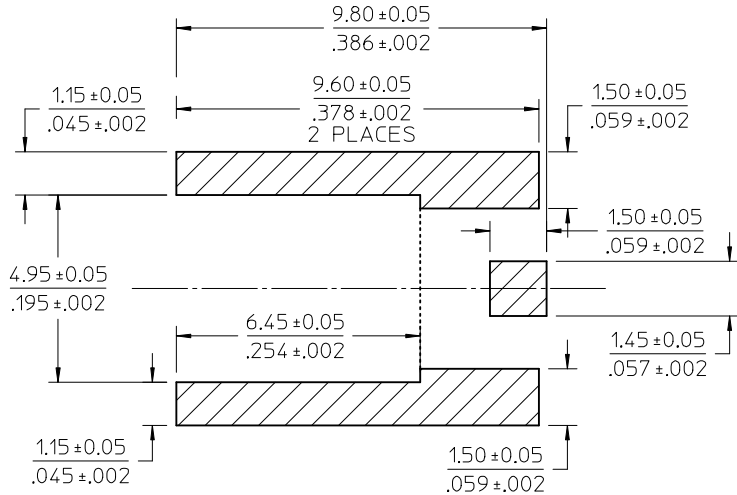
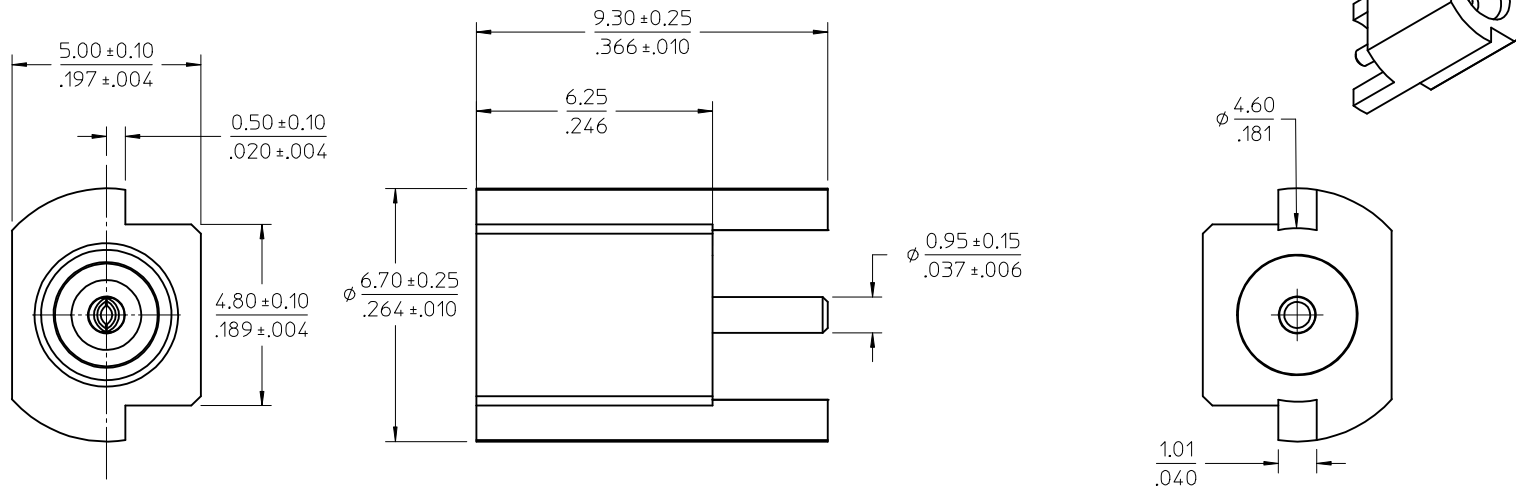
THIS DRAWING CONTAINS INFORMATION THAT IS PROPRIETARY TO MOLEX INCORPORATED AND SHOULD NOT BE USED WITHOUT WRITTEN PERMISSION

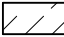
MATERIAL&FINISHES:

BODY: BRASS  
PLATING: SEE TABLE

CONTACT: BERYLLIUM COPPER  
PLATED GOLD

INSULATOR: TEFLON

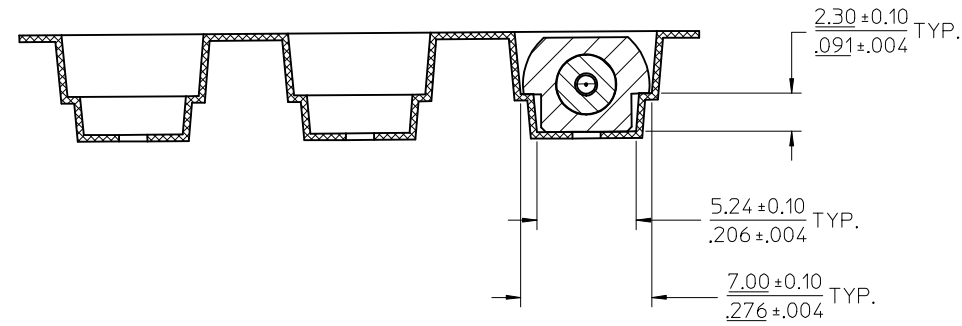
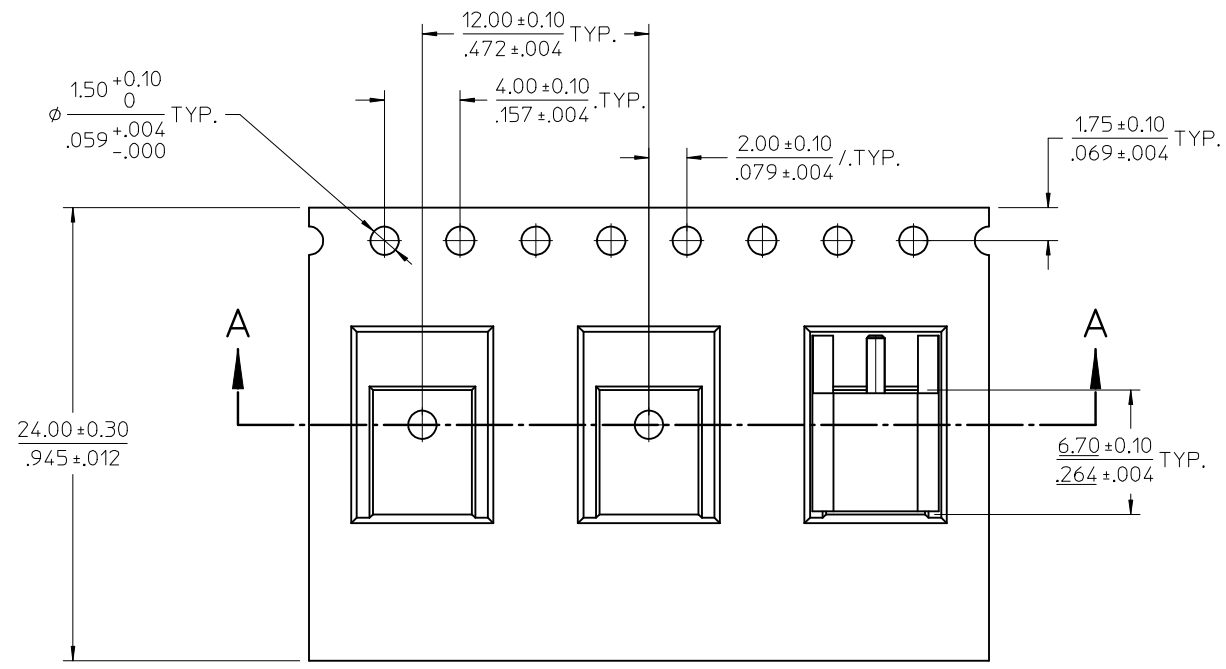


RECOMMENDED PCB LAYOUT  SOLDER PAD

73366-6330	GOLD FLASH	ONE PIECE PER BAG
73415-1069	GOLD (5u")	TAPE AND REEL
73415-1068	GOLD (5u")	TRAY
73415-1067	TRI-M	SMALL TRAY
73415-1066	TRI-M	TAPE AND REEL
73415-1065	TRI-M	TRAY
73415-1064	GOLD FLASH	TAPE AND REEL
73415-1063	GOLD FLASH	TRAY
73415-1062	GOLD (30u")	SMALL TRAY
73415-1061	GOLD (30u")	TAPE AND REEL
73415-1060	GOLD (30u")	TRAY
PART NO.	BODY PLATING	PACKAGING

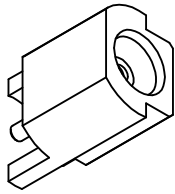
PS-89675-1830	PRODUCT SPECIFICATION
CECC-22-220	INTERFACE
SPECIFICATION	DESCRIPTION

ADDED SHEET 4 PER RF-13-E035 EC NO: URF2013-0179 DRWNLIN 2012/09/19 CHKD: DRWNLIN APPR: MHIANG 2012/10/04	QUALITY SYMBOLS	GENERAL TOLERANCES (UNLESS SPECIFIED)	DIMENSION STYLE	SCALE	DESIGN UNITS	THIRD ANGLE PROJECTION
	$\nabla=0$	mm INCH	MM/IN	10:1	METRIC	
	$\nabla=0$	4 PLACES $\pm$ ---	DRAWN BY DATE	EDC 1999/02/15	TITLE	MCX JACK EDGE MOUNT PCB RECEPTACLE MCX-J/PCB
	$\nabla=0$	3 PLACES $\pm$ ---	CHECKED BY DATE	DHG 1999/02/15	molex	
$\nabla=0$	2 PLACES $\pm$ ---	APPROVED BY DATE	GMH 1999/02/15	DOCUMENT NO.		SD-73415-106
	1 PLACE $\pm$ ---	ANGULAR $\pm 2^\circ$	MATERIAL NO.	SEE TABLE	SHEET NO.	1 OF 4
	0 PLACE $\pm$ ---	DRAFT WHERE APPLICABLE MUST REMAIN WITHIN DIMENSIONS	SIZE	THIS DRAWING CONTAINS INFORMATION THAT IS PROPRIETARY TO MOLEX INCORPORATED AND SHOULD NOT BE USED WITHOUT WRITTEN PERMISSION		

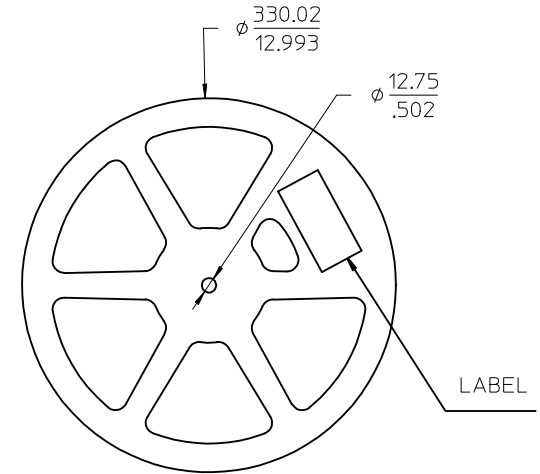
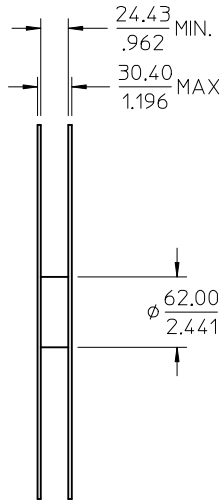


SECTION A-A

SEE SHEET 1 EC NO: URF2013-0179 DRWNLIN CHKD: APPR:MHUANG 2012/09/19 2012/10/04	QUALITY SYMBOLS	GENERAL TOLERANCES (UNLESS SPECIFIED)	DIMENSION STYLE	SCALE	DESIGN UNITS	THIRD ANGLE PROJECTION
	▽=0	mm INCH	MM/IN	5:1	METRIC	
	▽=0	4 PLACES ± --- ± ---	DRAWN BY DATE	TITLE		
	▽=0	3 PLACES ± --- ± ---	EDC 1999/02/15	MCX JACK EDGE MOUNT PCB RECEPTACLE		
	2 PLACES ± --- ± ---	CHECKED BY DATE	MCX-J/PCB			
	1 PLACE ± --- ± ---	DHG 1999/02/15	<b>molex</b> DOCUMENT NO. SD-73415-106 SHEET NO. 2 OF 4			
	0 PLACE ± --- ± ---	APPROVED BY DATE				
		GMH 1999/02/15	SEE SHEET 1			
			DRAFT WHERE APPLICABLE MUST REMAIN WITHIN DIMENSIONS MATERIAL NO. SEE SHEET 1 SIZE C THIS DRAWING CONTAINS INFORMATION THAT IS PROPRIETARY TO MOLEX INCORPORATED AND SHOULD NOT BE USED WITHOUT WRITTEN PERMISSION			

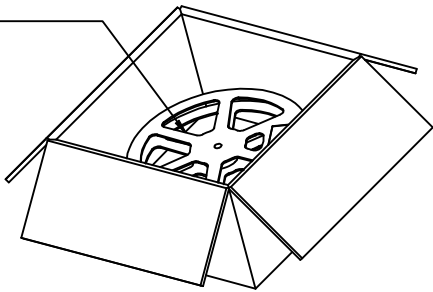


PART NO.73415-1061, 73415-1064  
73415-1066, 73415-1069

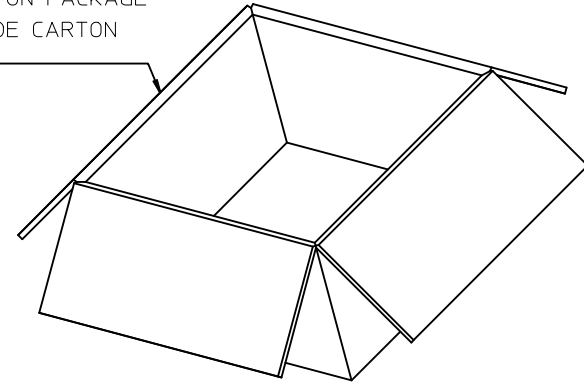


THE PART PACKAGE 1000 PCS PER ONE REEL

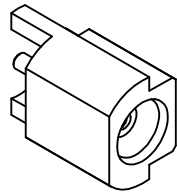
5 REELS (5000 PCS) PACKAGE  
PER ONE INNER CARTON



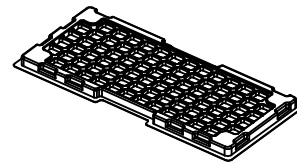
ONE INNER CARTON PACKAGE  
PER ONE OUTSIDE CARTON



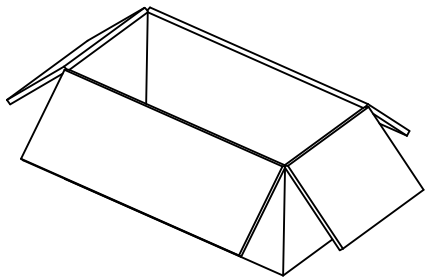
SEE SHEET 1 EC NO: URF2013-0179 DRW/NEL IN 2012/09/19 CHKD: APPR: MHIANG 2012/10/04 REV/ DESCRIPTION	QUALITY SYMBOLS	GENERAL TOLERANCES (UNLESS SPECIFIED)	DIMENSION STYLE	SCALE	DESIGN UNITS	THIRD ANGLE PROJECTION
	▽=0	mm INCH	MM/IN	5:1	METRIC	☉
	▽=0	4 PLACES ± --- ± ---	DRAWN BY DATE	TITLE		
	▽=0	3 PLACES ± --- ± ---	EDC 1999/02/15	MCX JACK EDGE MOUNT PCB RECEPTACLE		
	2 PLACES ± --- ± ---	CHECKED BY DATE	MCX-J/PCB			
	1 PLACE ± --- ± ---	DHG 1999/02/15	molex			
	0 PLACE ± --- ± ---	APPROVED BY DATE	SD-73415-106			
		GMH 1999/02/15	3 OF 4			
		ANGULAR ± 2 °	DOCUMENT NO.			
		DRAFT WHERE APPLICABLE MUST REMAIN WITHIN DIMENSIONS	SEE SHEET 1			
			MATERIAL NO.			
			THIS DRAWING CONTAINS INFORMATION THAT IS PROPRIETARY TO MOLEX INCORPORATED AND SHOULD NOT BE USED WITHOUT WRITTEN PERMISSION			



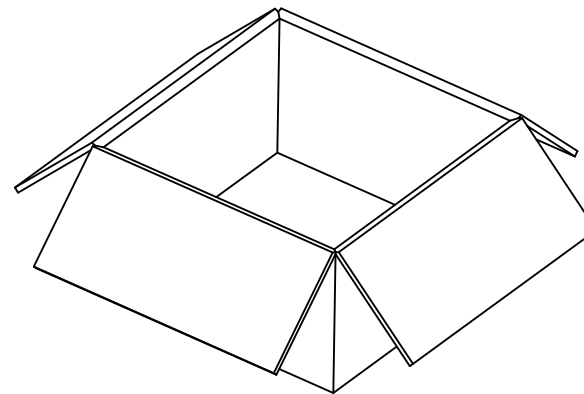
PART NO.73415-1060, 73415-1063  
73415-1065, 73415-1068



80 SET PER TRAY  
P/N: 89707-0190



1600 SET PER INNER CARTON BOX  
P/N: 96707-0001



3200 SET PER OUTER CARTON BOX  
P/N: 96708-0005

SEE SHEET 1 EC NO: URF2013-0179 DRAWN: LIN 2012/09/19 CHKD: APPR: MHIANG 2012/10/04 REV:	QUALITY SYMBOLS	GENERAL TOLERANCES (UNLESS SPECIFIED)		DIMENSION STYLE MM/IN		SCALE 1:5	DESIGN UNITS METRIC	THIRD ANGLE PROJECTION	
	▽=0	mm	INCH	DRAWN BY	DATE	TITLE MCX JACK EDGE MOUNT PCB RECEPTACLE MCX-J/PCB			
	▽=0	4 PLACES ±	---	EDC	1999/02/15				
	▽=0	3 PLACES ±	---	CHECKED BY	DATE	<b>molex</b> DOCUMENT NO. SD-73415-106 SHEET NO. 4 OF 4			
▽=0	2 PLACES ±	---	DHG	1999/02/15					
	1 PLACE ±	---	APPROVED BY	DATE	THIS DRAWING CONTAINS INFORMATION THAT IS PROPRIETARY TO MOLEX INCORPORATED AND SHOULD NOT BE USED WITHOUT WRITTEN PERMISSION				
	0 PLACE ±	---	GMH	1999/02/15					
		ANGULAR ± 2 °		MATERIAL NO.					
		DRAFT WHERE APPLICABLE MUST REMAIN WITHIN DIMENSIONS		SEE SHEET 1					