



Chipsmall Limited consists of a professional team with an average of over 10 year of expertise in the distribution of electronic components. Based in Hongkong, we have already established firm and mutual-benefit business relationships with customers from,Europe,America and south Asia,supplying obsolete and hard-to-find components to meet their specific needs.

With the principle of “Quality Parts,Customers Priority,Honest Operation,and Considerate Service”,our business mainly focus on the distribution of electronic components. Line cards we deal with include Microchip,ALPS,ROHM,Xilinx,Pulse,ON,Everlight and Freescale. Main products comprise IC,Modules,Potentiometer,IC Socket,Relay,Connector.Our parts cover such applications as commercial,industrial, and automotives areas.

We are looking forward to setting up business relationship with you and hope to provide you with the best service and solution. Let us make a better world for our industry!



Contact us

Tel: +86-755-8981 8866 Fax: +86-755-8427 6832

Email & Skype: info@chipsmall.com Web: www.chipsmall.com

Address: A1208, Overseas Decoration Building, #122 Zhenhua RD., Futian, Shenzhen, China

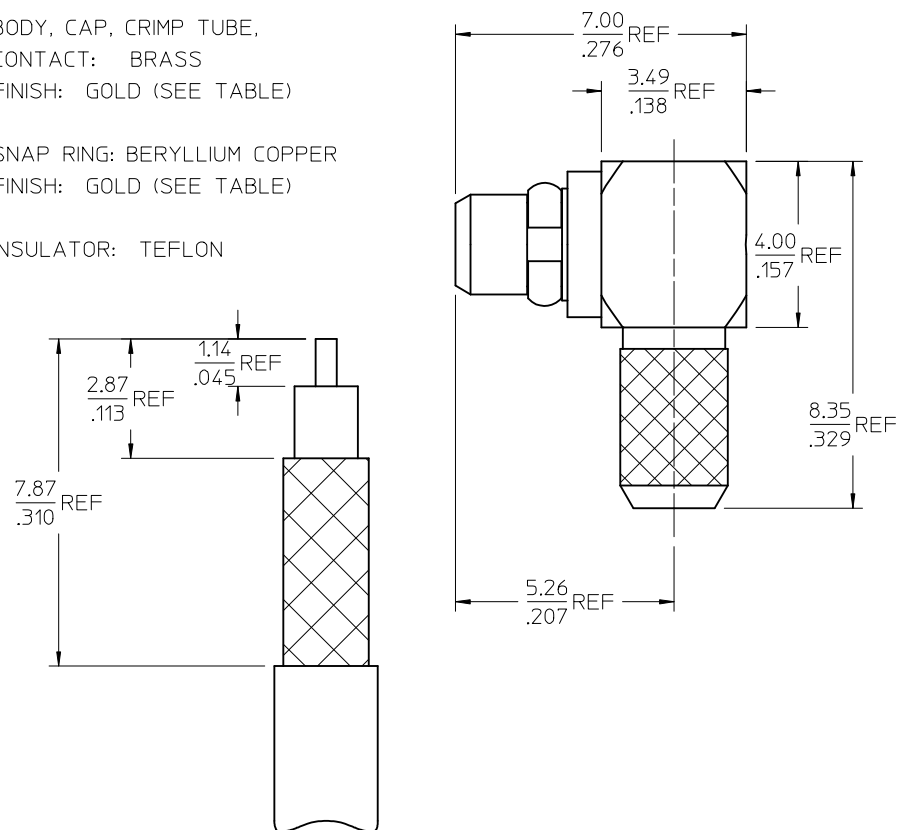
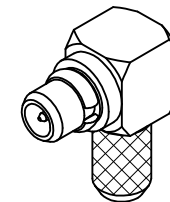


MATERIALS AND FINISHES:

BODY, CAP, CRIMP TUBE,
CONTACT: BRASS
FINISH: GOLD (SEE TABLE)

SNAP RING: BERYLLIUM COPPER
FINISH: GOLD (SEE TABLE)

INSULATOR: TEFLON



CABLE STRIP DIMENSIONS

73415-1125	FLASH	BULK
73415-1124	SEE NOTE 2	BULK
73415-1123	SEE NOTE 1	BULK
73415-1122	COMMERCIAL	ONE PER BAG
73415-1121	COMMERCIAL	BULK
73415-1120	MILITARY	BULK
PART NO.	PLATING	PACKAGING

PLATING NOTES:

- 10u" FOR BODY/CAP/TUBE; 30u" FOR CONTACT/RING
- 30u" FOR CONTACT; ALL OTHER ITEMS FLASH

CECC 22 340	INTERFACE
PS-89675-1920	ELECTRO/MECH PERFORM.
SPECIFICATION	DESCRIPTION

CHG: .310 STRIP
WAS .330
PS WAS -1930
INTERFACE SPEC WAS
ES-73599-0000-015
EC NO: URF2013-0552
DRWN:WIENER 2013/04/03
CHKD:SSS
APPR:WIENER 2013/04/08
REV A8

QUALITY SYMBOLS

 DESCRIPTION

GENERAL TOLERANCES (UNLESS SPECIFIED)

	mm	INCH
4 PLACES	± .005	± .0005
3 PLACES	± .004	± .0004
2 PLACES	± .003	± .0003
1 PLACE	± .002	± .0002

ANGULAR ± 2 °

DRAFT WHERE APPLICABLE
MUST REMAIN
WITHIN DIMENSIONS

DIMENSION STYLE
MM/IN

DRAWN BY	DATE
TEF	2000/01/13
CHECKED BY	DATE
TEF	2000/01/13
APPROVED BY	DATE
GMH	2000/01/13

MATERIAL NO.
SEE TABLE

SIZE
C

SCALE
DESIGN UNITS
METRIC

THIRD ANGLE PROJECTION

TITLE
MMCX PLUG, R/A RG316
50 OHMS
MMCX-PC

MOLEX INCORPORATED

DOCUMENT NO.
SD-73415-112

SHEET NO.
1 OF 1

THIS DRAWING CONTAINS INFORMATION THAT IS PROPRIETARY TO MOLEX INCORPORATED AND SHOULD NOT BE USED WITHOUT WRITTEN PERMISSION