



Chipsmall Limited consists of a professional team with an average of over 10 year of expertise in the distribution of electronic components. Based in Hongkong, we have already established firm and mutual-benefit business relationships with customers from,Europe,America and south Asia,supplying obsolete and hard-to-find components to meet their specific needs.

With the principle of "Quality Parts,Customers Priority,Honest Operation,and Considerate Service",our business mainly focus on the distribution of electronic components. Line cards we deal with include Microchip,ALPS,ROHM,Xilinx,Pulse,ON,Everlight and Freescale. Main products comprise IC,Modules,Potentiometer,IC Socket,Relay,Connector.Our parts cover such applications as commercial,industrial, and automotives areas.

We are looking forward to setting up business relationship with you and hope to provide you with the best service and solution. Let us make a better world for our industry!



Contact us

Tel: +86-755-8981 8866 Fax: +86-755-8427 6832

Email & Skype: info@chipsmall.com Web: www.chipsmall.com

Address: A1208, Overseas Decoration Building, #122 Zhenhua RD., Futian, Shenzhen, China

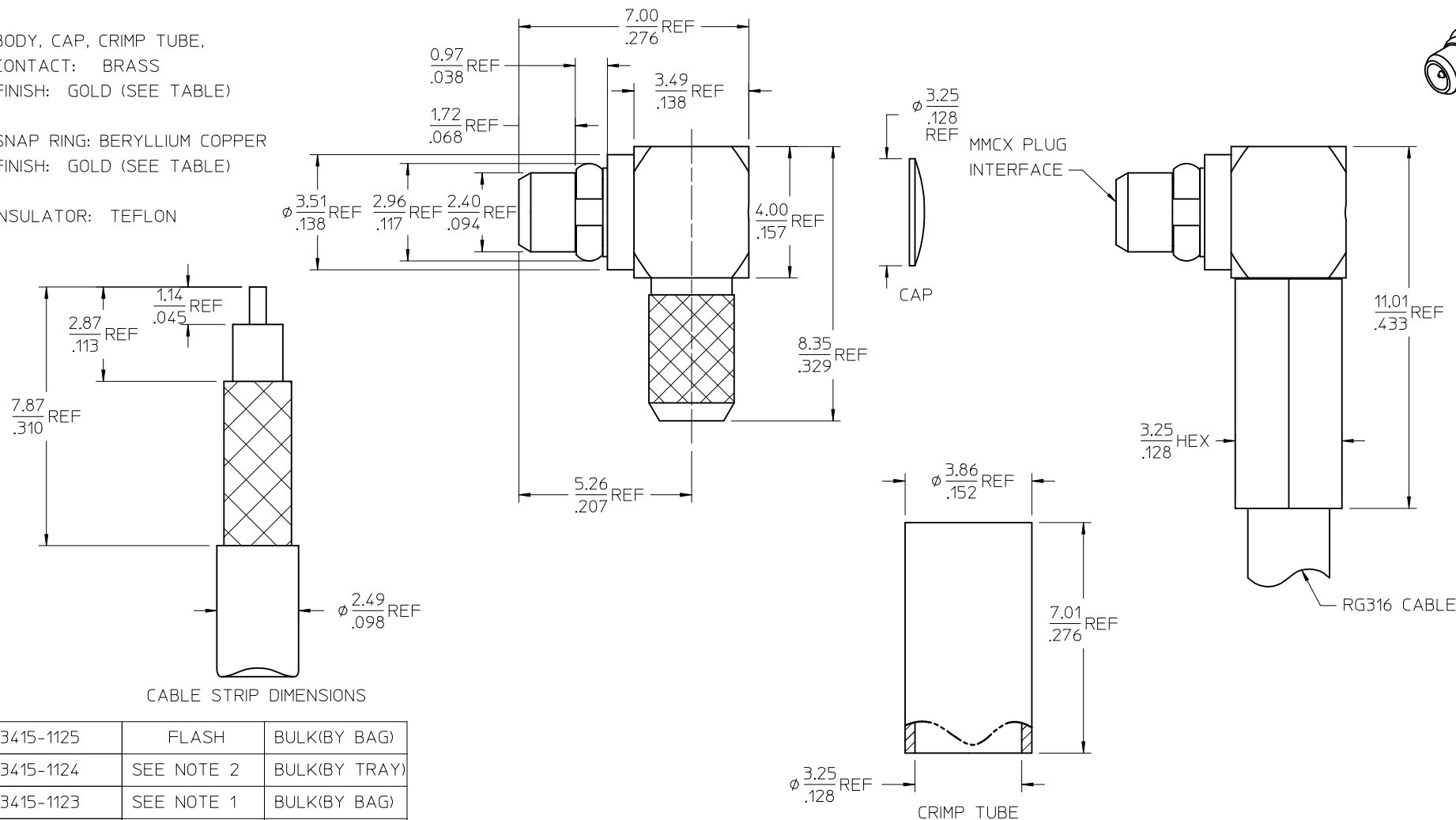
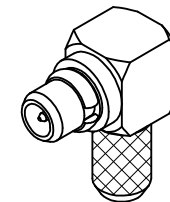


MATERIALS AND FINISHES:

BODY, CAP, CRIMP TUBE,
CONTACT: BRASS
FINISH: GOLD (SEE TABLE)

SNAP RING: BERYLLIUM COPPER
FINISH: GOLD (SEE TABLE)

INSULATOR: TEFLON



CABLE STRIP DIMENSIONS

73415-1125	FLASH	BULK(BY BAG)
73415-1124	SEE NOTE 2	BULK(BY TRAY)
73415-1123	SEE NOTE 1	BULK(BY BAG)
73415-1122	COMMERCIAL	ONE PER BAG
73415-1121	COMMERCIAL	BULK(BY BAG)
73415-1120	MILITARY	BULK(BY BAG)
PART NO.	PLATING	PACKAGING

PLATING NOTES:

- 10u" FOR BODY/CAP/TUBE; 30u" FOR CONTACT/RING
- 30u" FOR CONTACT; ALL OTHER ITEMS FLASH

CECC 22 340		INTERFACE	CHGRF15-E304 ADDED DIMENSION EC NO: URF2016-0143 2015/08/25 DRWIN:LLM14 CHKD: APPR:YCHENG 2015/12/28 DESCRIPTION REV: A9	QUALITY SYMBOLS ▽=0 ▽=0	GENERAL TOLERANCES (UNLESS SPECIFIED) <table border="1"> <tr> <th></th> <th>mm</th> <th>INCH</th> </tr> <tr> <td>4 PLACES</td> <td>± .005</td> <td>± .0002</td> </tr> <tr> <td>3 PLACES</td> <td>± .005</td> <td>± .0002</td> </tr> <tr> <td>2 PLACES</td> <td>± .005</td> <td>± .0002</td> </tr> <tr> <td>1 PLACE</td> <td>± .005</td> <td>± .0002</td> </tr> </table> ANGULAR ± 2 °		mm	INCH	4 PLACES	± .005	± .0002	3 PLACES	± .005	± .0002	2 PLACES	± .005	± .0002	1 PLACE	± .005	± .0002	DIMENSION STYLE MM/IN DRAWN BY DATE TEF 2000/01/13 CHECKED BY DATE TEF 2000/01/13 APPROVED BY DATE GMH 2000/01/13	SCALE DESIGN UNITS METRIC THIRD ANGLE PROJECTION	TITLE MMCX PLUG, R/A RG316 50 OHMS MMCX-PC MOLEX INCORPORATED	SHEET NO. 1 OF 1
	mm	INCH																						
4 PLACES	± .005	± .0002																						
3 PLACES	± .005	± .0002																						
2 PLACES	± .005	± .0002																						
1 PLACE	± .005	± .0002																						
PS-89675-1920		ELECTRO/MECH PERFORM.	DRAFT WHERE APPLICABLE MUST REMAIN WITHIN DIMENSIONS	MATERIAL NO. SEE TABLE	DOCUMENT NO. SD-73415-112	THIS DRAWING CONTAINS INFORMATION THAT IS PROPRIETARY TO MOLEX INCORPORATED AND SHOULD NOT BE USED WITHOUT WRITTEN PERMISSION																		
SPECIFICATION		DESCRIPTION		SIZE C																				