



Chipsmall Limited consists of a professional team with an average of over 10 year of expertise in the distribution of electronic components. Based in Hongkong, we have already established firm and mutual-benefit business relationships with customers from,Europe,America and south Asia,supplying obsolete and hard-to-find components to meet their specific needs.

With the principle of “Quality Parts,Customers Priority,Honest Operation,and Considerate Service”,our business mainly focus on the distribution of electronic components. Line cards we deal with include Microchip,ALPS,ROHM,Xilinx,Pulse,ON,Everlight and Freescale. Main products comprise IC,Modules,Potentiometer,IC Socket,Relay,Connector.Our parts cover such applications as commercial,industrial, and automotives areas.

We are looking forward to setting up business relationship with you and hope to provide you with the best service and solution. Let us make a better world for our industry!



## Contact us

Tel: +86-755-8981 8866 Fax: +86-755-8427 6832

Email & Skype: info@chipsmall.com Web: www.chipsmall.com

Address: A1208, Overseas Decoration Building, #122 Zhenhua RD., Futian, Shenzhen, China

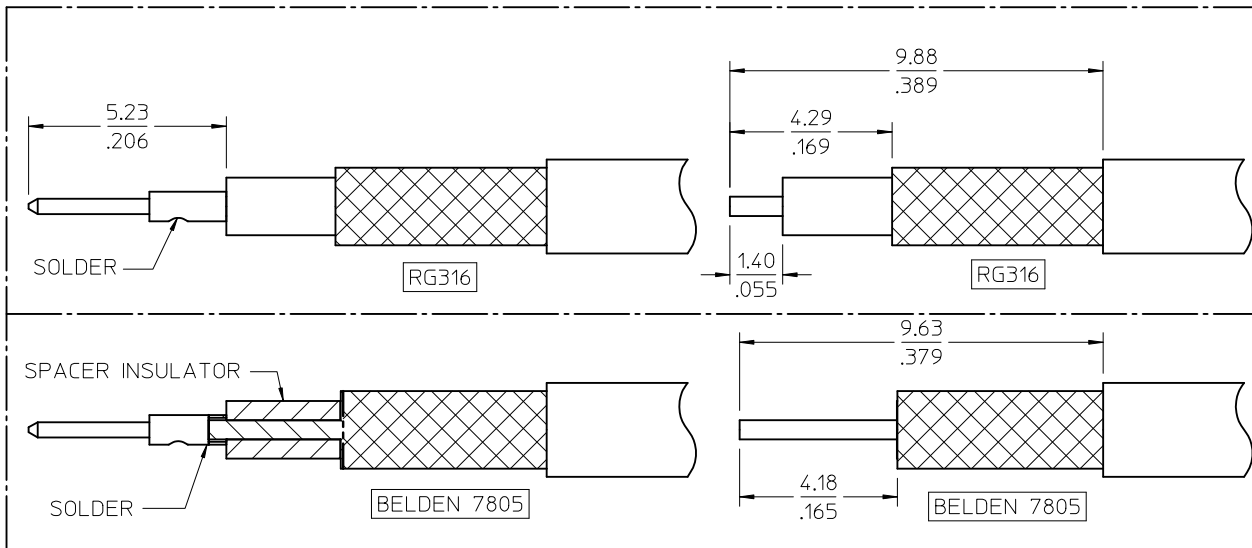
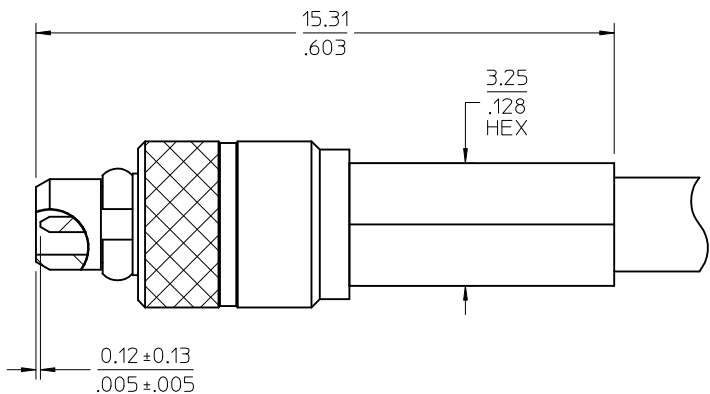
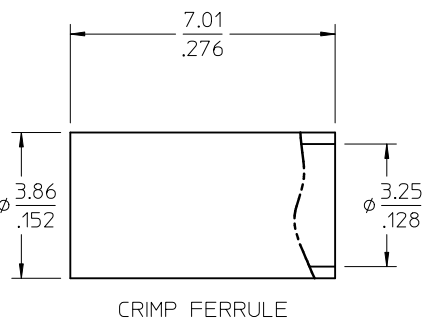
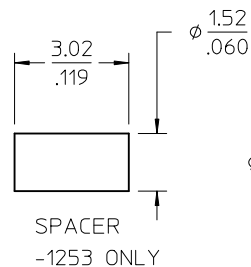
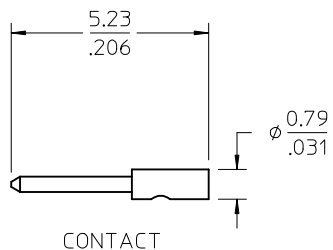
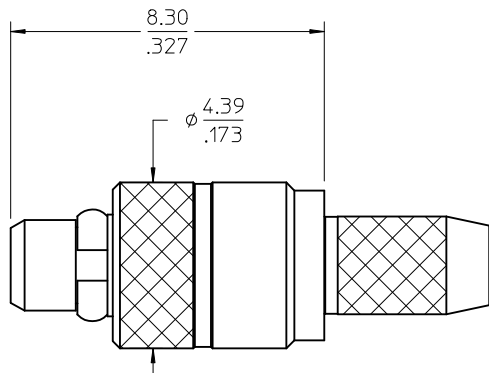


MATERIALS AND FINISHES

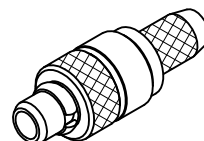
BODY BRASS  
PLATED GOLD

CENTER CONTACT BRASS  
PLATED GOLD

INSULATOR TEFLON



73415-1253	COMMERCIAL REQS	STANDARD USING BELDEN 7805 CABLE
73415-1252	COMMERCIAL REQS	1 PIECE 73415-1251 IN SINGLE BAG WITH LABEL
73415-1251	COMMERCIAL REQS	STANDARD
73415-1250	MILITARY REQS	STANDARD
PART NO.	FINISH	PACKAGING



CECC-22-340	INTERFACE
PS-89675-1920	ELECTRO/MECH PERFORM.
SPECIFICATION	DESCRIPTION

CHG: ADDED -1253; BELDEN CABLE VIEW; ADDED SPACER VIEW	EC NO: URF2012-0550	2012/04/23	DESCRIPTION
	DRWN:JLEE02	2012/04/24	
CHKD:SSS	2012/04/24		
APPR:JWIENER	2012/04/25		
REV	A3		

QUALITY SYMBOLS	GENERAL TOLERANCES (UNLESS SPECIFIED)	DIMENSION STYLE	SCALE	DESIGN UNITS	THIRD ANGLE PROJECTION
$\nabla=0$		MM/IN		METRIC	
$\nabla=0$		mm INCH			
	4 PLACES ± --- ± ---	DRAWN BY DATE	TITLE		
	3 PLACES ± --- ± ---	TEF 2000/06/13	MMCX PLUG STRAIGHT FOR RG316 CABLE		
	2 PLACES ± --- ± ---	CHECKED BY DATE	MMCX-PC		
	1 PLACE ± --- ± ---	SSS 2000/06/13	MOLEX INCORPORATED		
	ANGULAR ± 2 °	APPROVED BY DATE	DOCUMENT NO.		
		GMH 2000/06/13	SD-73415-125		
	DRAFT WHERE APPLICABLE MUST REMAIN WITHIN DIMENSIONS	MATERIAL NO.	SHEET NO.		
		SEE TABLE	1 OF 1		
		SIZE C	THIS DRAWING CONTAINS INFORMATION THAT IS PROPRIETARY TO MOLEX INCORPORATED AND SHOULD NOT BE USED WITHOUT WRITTEN PERMISSION		