



Chipsmall Limited consists of a professional team with an average of over 10 year of expertise in the distribution of electronic components. Based in Hongkong, we have already established firm and mutual-benefit business relationships with customers from,Europe,America and south Asia,supplying obsolete and hard-to-find components to meet their specific needs.

With the principle of “Quality Parts,Customers Priority,Honest Operation,and Considerate Service”,our business mainly focus on the distribution of electronic components. Line cards we deal with include Microchip,ALPS,ROHM,Xilinx,Pulse,ON,Everlight and Freescale. Main products comprise IC,Modules,Potentiometer,IC Socket,Relay,Connector.Our parts cover such applications as commercial,industrial, and automotives areas.

We are looking forward to setting up business relationship with you and hope to provide you with the best service and solution. Let us make a better world for our industry!



Contact us

Tel: +86-755-8981 8866 Fax: +86-755-8427 6832

Email & Skype: info@chipsmall.com Web: www.chipsmall.com

Address: A1208, Overseas Decoration Building, #122 Zhenhua RD., Futian, Shenzhen, China



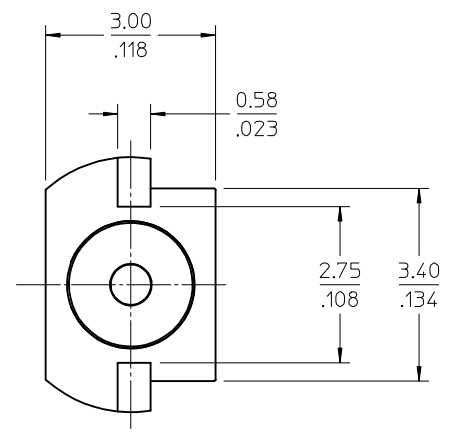
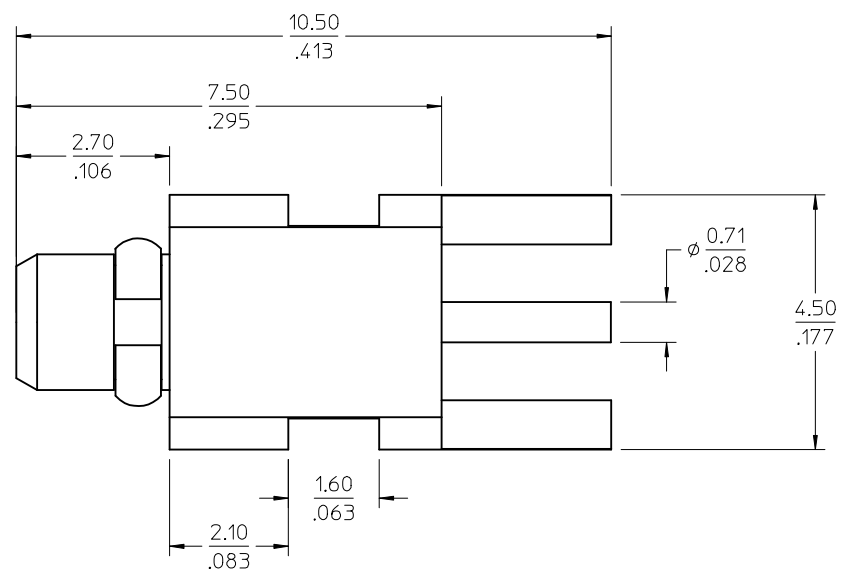
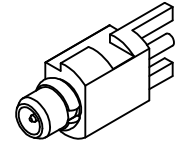
MATERIALS AND FINISHES

BODY CONTACT BRASS
PLATED GOLD

INSULATOR TEFLON

SNAP RING BERYLLIUM COPPER
PLATED GOLD

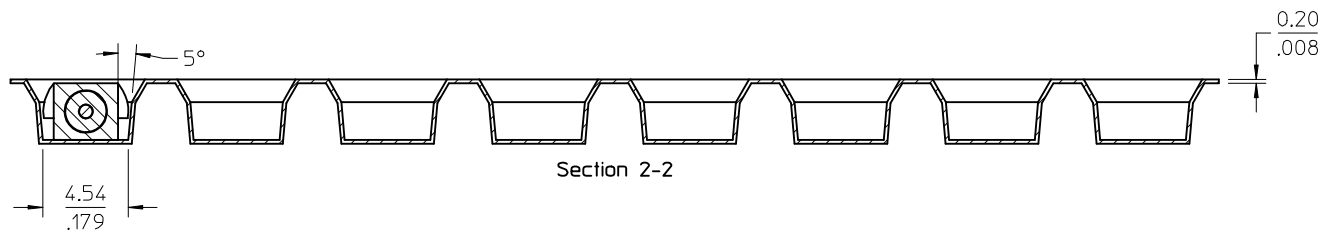
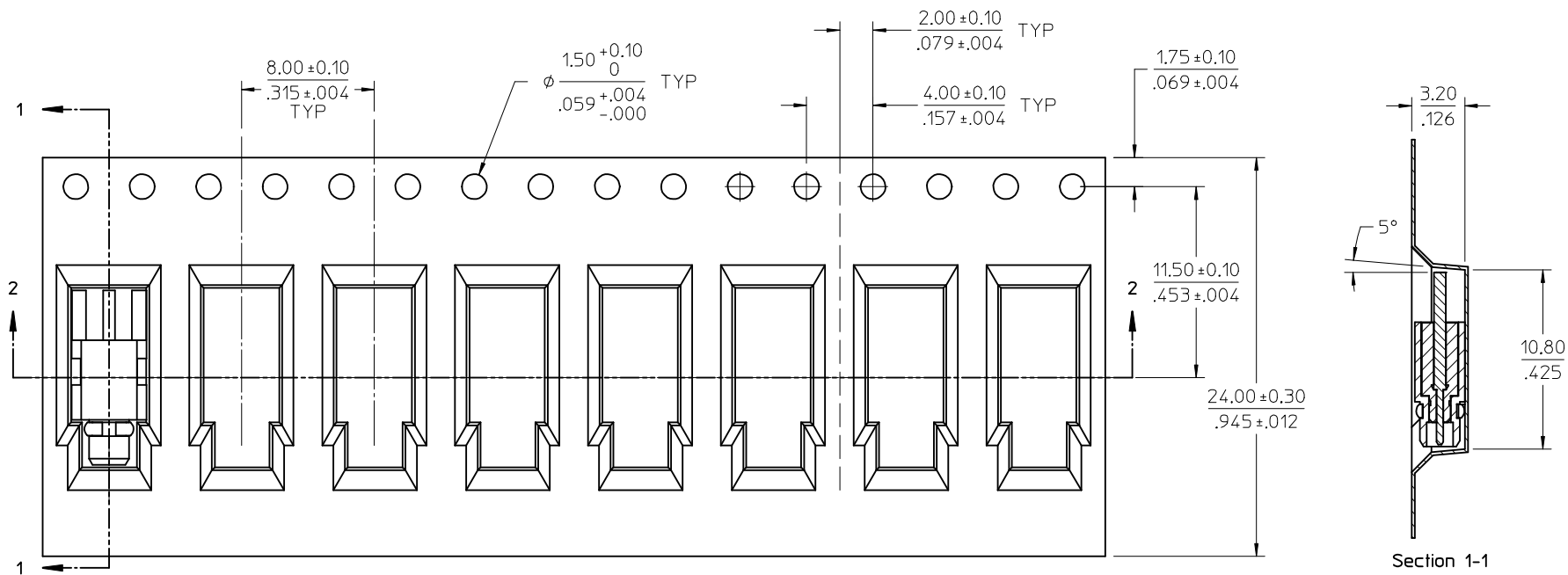
PACKING BY TAPE&REEL



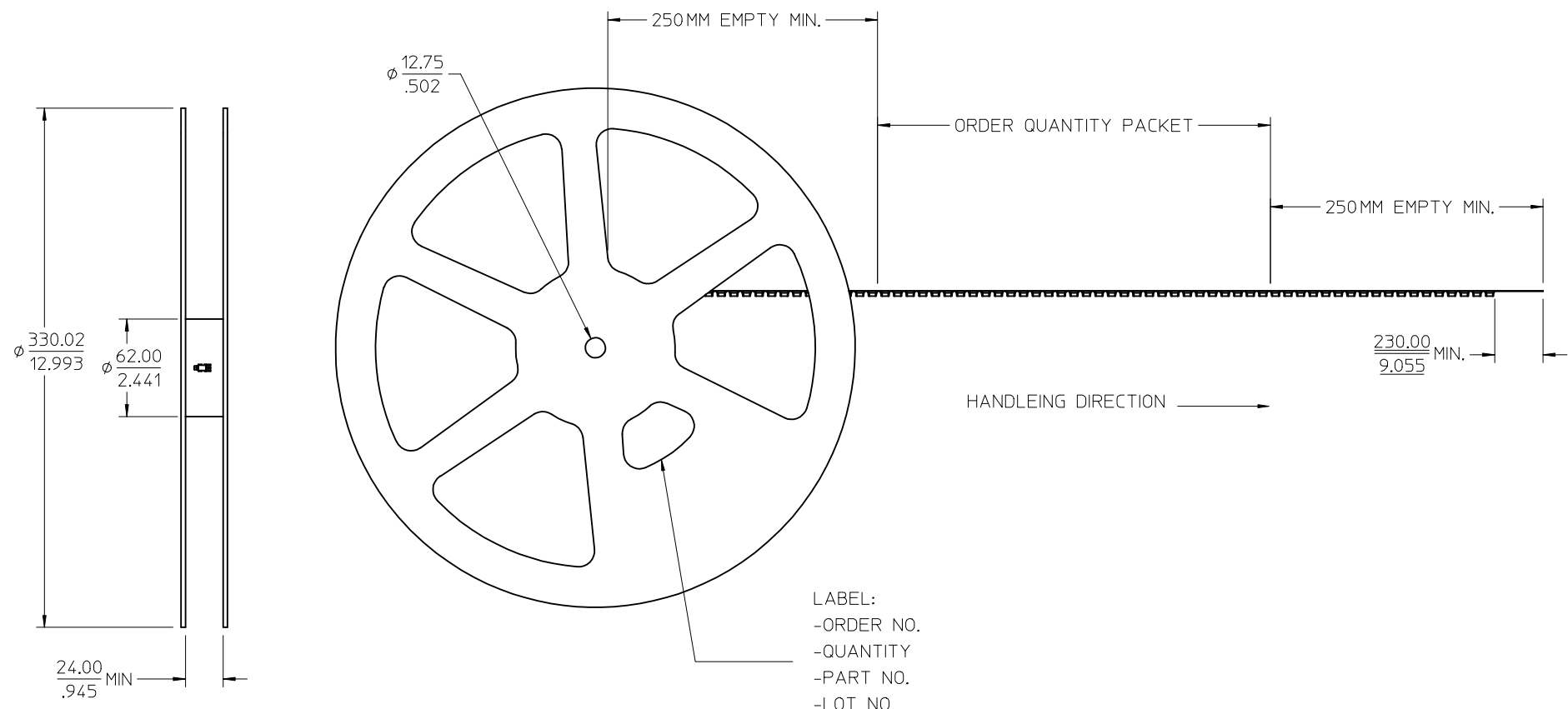
ES-73599-0000-0150	INTERFACE
PS-89675-1910	PRODUCT SPEC
SPECIFICATION	DESCRIPTION

73415-1271	PER COMMERCIAL REQUIREMENTS
73415-1270	PER MILITARY REQUIREMENTS
PART NO.	DESCRIPTION

CHGADD T&R DWG PER PDR13061353 EC No: DRF 2013-0715 DRAWN: CHENG 2013/06/21 CHKD: APPR: MHUANG 2013/06/21 D2	QUALITY SYMBOLS	GENERAL TOLERANCES (UNLESS SPECIFIED)	DIMENSION STYLE	SCALE	DESIGN UNITS	THIRD ANGLE PROJECTION
	▽=0	mm INCH	MM/IN		METRIC	
	▽=0	4 PLACES ± --- ± ---	DRAWN BY DATE	TITLE	MMCX, PLUG 50 OHM	
	▽=0	3 PLACES ± --- ± ---	CHECKED BY DATE	EDGE LAUNCHER		
	2 PLACES ± --- ± ---	APPROVED BY DATE	MMCX-P/PCB			
	1 PLACE ± --- ± ---		molex			
	0 PLACE ± --- ± ---		SEE TABLE		SD-73415-127	
	ANGULAR ± 2°	DRAFT WHERE APPLICABLE MUST REMAIN WITHIN DIMENSIONS	THIS DRAWING CONTAINS INFORMATION THAT IS PROPRIETARY TO MOLEX INCORPORATED AND SHOULD NOT BE USED WITHOUT WRITTEN PERMISSION		SHEET NO. 1 OF 3	



CHG:SEE SHEET1 EC NO: URF2013-0715 DRAWN:YCHENG 2013/06/21 CHKD: APPR:MHUANG 2013/06/21 REV: D2	QUALITY SYMBOLS	GENERAL TOLERANCES (UNLESS SPECIFIED)	DIMENSION STYLE	SCALE	DESIGN UNITS	THIRD ANGLE PROJECTION
	▽=0	mm INCH	MM/IN	METRIC	◎	
	▽=0	4 PLACES ± --- ± ---	DRAWN BY DATE	TITLE	MMCX, PLUG 50 OHM EDGE LAUNCHER MMCX-P/PCB	
	▽=0	3 PLACES ± --- ± ---	YCHENG 2013/06/18	2013/06/18		
	2 PLACES ± --- ± ---	CHECKED BY DATE	molex		DOCUMENT NO. SD-73415-127	SHEET NO. 2 OF 3
	1 PLACE ± --- ± ---	KERRIE 2013/06/19				
	0 PLACE ± --- ± ---	APPROVED BY DATE	THIS DRAWING CONTAINS INFORMATION THAT IS PROPRIETARY TO MOLEX INCORPORATED AND SHOULD NOT BE USED WITHOUT WRITTEN PERMISSION			
		MATERIAL NO.	SEE SHEET1			
		ANGULAR ± 2°				
		DRAFT WHERE APPLICABLE MUST REMAIN WITHIN DIMENSIONS				



PACKING DESCRIPTION:

1. MATERIAL:PS BLACK THICKNESS 0.4MM
2. PACKING LENGTH PER 22" REEL : 62 METERS(1;3)
3. COMPONENT LOAD PER 13" REEL : 2500 PCS
4. DIMENSION ARE ROVIDED FOR REFERANCE ONLY

CHG:SEE SHEET1 EC NO: URF2013-0715 DRAWN:YCHENG 2013/06/21 CHKD: APPR:MHUANG 2013/06/21	QUALITY SYMBOLS ∇=0 ∇=0 ∇=0	GENERAL TOLERANCES (UNLESS SPECIFIED)		DIMENSION STYLE	SCALE	DESIGN UNITS	THIRD ANGLE PROJECTION		
				MM/IN		METRIC			
		4 PLACES ± --- ± ---	3 PLACES ± --- ± ---	2 PLACES ± --- ± ---	1 PLACE ± --- ± ---	0 PLACE ± --- ± ---	DRAWN BY DATE YCHENG 2013/06/18		TITLE
		ANGULAR ± 2 °					APPROVED BY DATE MHUANG 2013/06/21		MATERIAL NO.
D2	REV	DRAFT WHERE APPLICABLE MUST REMAIN WITHIN DIMENSIONS		SIZE	DOCUMENT NO.		SHEET NO.		
				C	SEE SHEET1		SD-73415-127		
THIS DRAWING CONTAINS INFORMATION THAT IS PROPRIETARY TO MOLEX INCORPORATED AND SHOULD NOT BE USED WITHOUT WRITTEN PERMISSION									