



Chipsmall Limited consists of a professional team with an average of over 10 year of expertise in the distribution of electronic components. Based in Hongkong, we have already established firm and mutual-benefit business relationships with customers from,Europe,America and south Asia,supplying obsolete and hard-to-find components to meet their specific needs.

With the principle of “Quality Parts,Customers Priority,Honest Operation,and Considerate Service”,our business mainly focus on the distribution of electronic components. Line cards we deal with include Microchip,ALPS,ROHM,Xilinx,Pulse,ON,Everlight and Freescale. Main products comprise IC,Modules,Potentiometer,IC Socket,Relay,Connector.Our parts cover such applications as commercial,industrial, and automotives areas.

We are looking forward to setting up business relationship with you and hope to provide you with the best service and solution. Let us make a better world for our industry!



Contact us

Tel: +86-755-8981 8866 Fax: +86-755-8427 6832

Email & Skype: info@chipsmall.com Web: www.chipsmall.com

Address: A1208, Overseas Decoration Building, #122 Zhenhua RD., Futian, Shenzhen, China



MATERIALS AND FINISHES

BODY SEE TABLE
 PLATED SEE TABLE

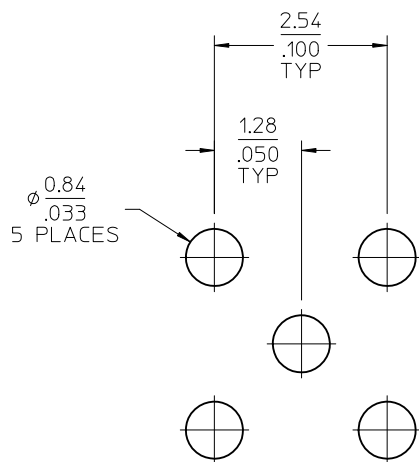
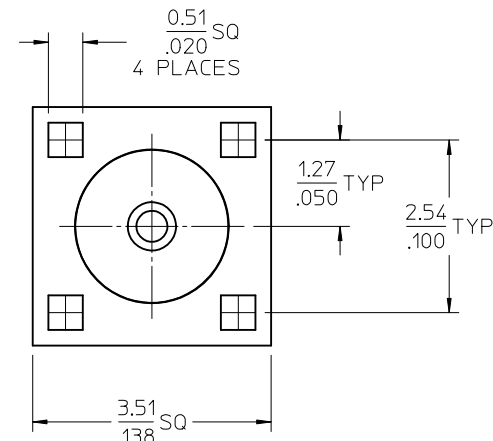
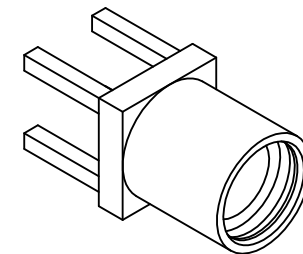
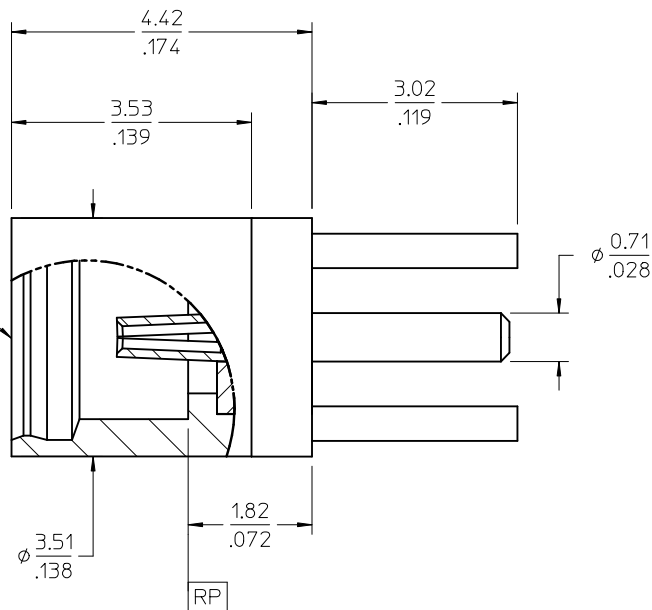
CENTER CONTACT BERYLLIUM COPPER
 PLATED GOLD

INSULATOR TEFLON / WHITE

NOTE
 PART # 73415-1473 IS

(NON-MAGNETIC)

MMCX JACK
 INTERFACE



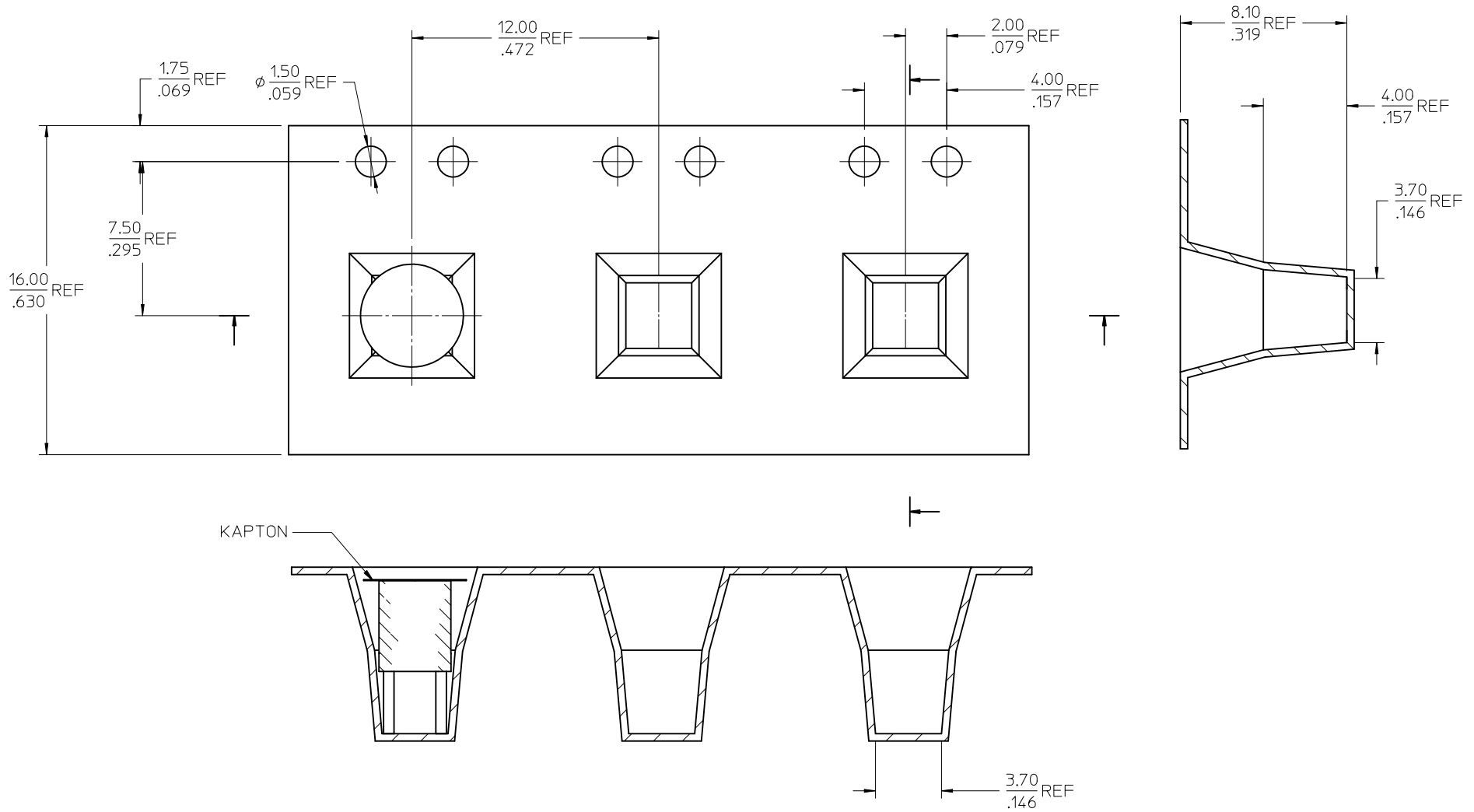
SUGGESTED PCB LAYOUT

73415-1475	P/N 73415-1471 WITH TAPE AND REEL	BRASS/GOLD(PER COMMERCIAL REQUIREMENT)
73415-1474	TRAY	BRASS/GOLD(PER COMMERCIAL REQUIREMENT)
73415-1473	BULK	BeCu/GOLD (NON MAGNETIC)
73415-1472	P/N 73415-1471, ONE PER BAG	BRASS/GOLD(PER COMMERCIAL REQUIREMENT)
73415-1471	BULK	BRASS/GOLD(PER COMMERCIAL REQUIREMENT)
73415-1470	BULK	BRASS/GOLD(PER MILITARY REQUIREMENT)
CECC 22 340	INTERFACE	
PS-89675-1920	ELECTRO/MECH PER.	
SPECIFICATION	DESCRIPTION	
PART NO.	PACKAGING	MATERIAL/PLATING

CHG: PS WAS -1910 INTERFACE SPEC WAS ES-73599-0000-016 EC NO: URF2012-0032 DRWN: JWIENER 2011/07/21 CHKD: SSS 2011/07/21 APPR: JWIENER 2011/07/22 B8	QUALITY SYMBOLS ▽=0 ▽=0	GENERAL TOLERANCES (UNLESS SPECIFIED)		DIMENSION STYLE MM/IN		SCALE	DESIGN UNITS METRIC	THIRD ANGLE PROJECTION		
		4 PLACES ± --- ± --- 3 PLACES ± --- ± --- 2 PLACES ± --- ± --- 1 PLACE ± --- ± ---	mm INCH ± --- ± --- ± --- ± --- ± --- ± ---	DRAWN BY TEF	DATE 2000/01/14	TITLE MMCX JACK, PCB MOUNT 50 OHMS MMCX-J/PCB				
		ANGULAR ± 2 °		CHECKED BY TEF	DATE 2000/01/14	APPROVED BY GMH				DATE 2000/01/14
		DRAFT WHERE APPLICABLE MUST REMAIN WITHIN DIMENSIONS		MATERIAL NO. SEE TABLE		DOCUMENT NO. SD-73415-147		MOLEX INCORPORATED		SHEET NO. 1 OF 3

NOTE

DIMENSIONS ARE PROVIDED FOR REFERENCE ONLY



CHG: SEE SHEET 1

EC NO: URF2012-0032
 2011/07/21
 DRWN:JIENER
 2011/07/21
 CHKD:SSS
 2011/07/21
 APPR:JIENER
 2011/07/21

DESCRIPTION

QUALITY SYMBOLS

▽=0

▽=0

GENERAL TOLERANCES (UNLESS SPECIFIED)

	mm	INCH
4 PLACES	± .010	± .0004
3 PLACES	± .015	± .0006
2 PLACES	± .020	± .0008
1 PLACE	± .030	± .0012

ANGULAR ± 2 °

DRAFT WHERE APPLICABLE MUST REMAIN WITHIN DIMENSIONS

DIMENSION STYLE

MM/IN	
DRAWN BY	DATE
TEF	2000/01/14
CHECKED BY	DATE
TEF	2000/01/14
APPROVED BY	DATE
GMH	2000/01/14

MATERIAL NO. SEE TABLE

SIZE C

SCALE

DESIGN UNITS METRIC

THIRD ANGLE PROJECTION

TITLE
 MMCX JACK, PCB MOUNT
 50 OHMS
 MMCX-J/PCB



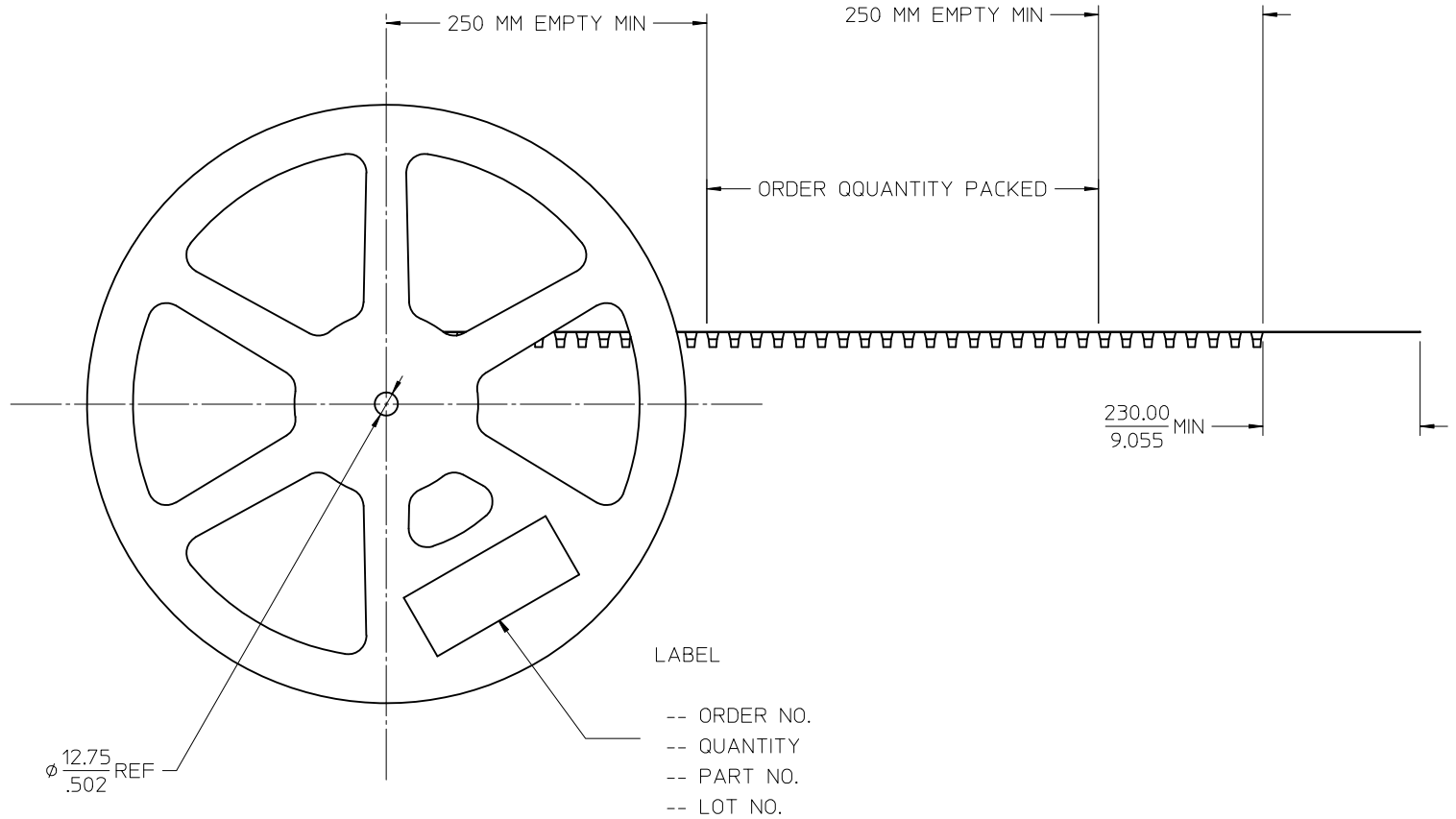
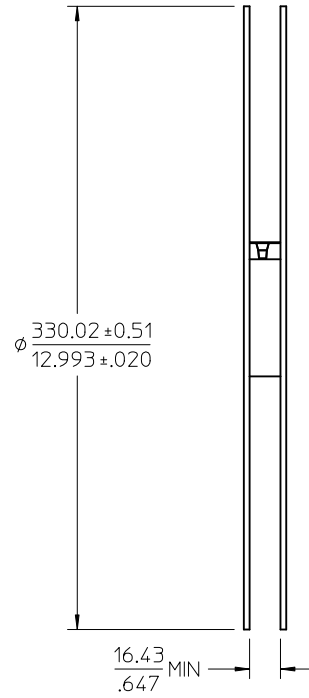
MOLEX INCORPORATED

DOCUMENT NO. SD-73415-147

SHEET NO. 2 OF 3

THIS DRAWING CONTAINS INFORMATION THAT IS PROPRIETARY TO MOLEX INCORPORATED AND SHOULD NOT BE USED WITHOUT WRITTEN PERMISSION

13" REEL SIZE



CHG: SEE SHEET 1

EC NO: URF2012-0032
 2011/07/21
 DRWN: JWIENER
 2011/07/21
 CHKD: SSS
 APPR: JWIENER
 2011/07/22

REV DESCRIPTION

QUALITY SYMBOLS
 ▼=0
 ▽=0

GENERAL TOLERANCES (UNLESS SPECIFIED)

	mm	INCH
4 PLACES	± ---	± ---
3 PLACES	± ---	± ---
2 PLACES	± ---	± ---
1 PLACE	± ---	± ---

ANGULAR ± 2 °

DRAFT WHERE APPLICABLE MUST REMAIN WITHIN DIMENSIONS

DIMENSION STYLE
MM/IN

DRAWN BY	DATE
TEF	2000/01/14
CHECKED BY	DATE
TEF	2000/01/14
APPROVED BY	DATE
GMH	2000/01/14

MATERIAL NO. SEE TABLE

SCALE
 DESIGN UNITS
METRIC

THIRD ANGLE PROJECTION

TITLE
**MMCX JACK, PCB MOUNT
 50 OHMS
 MMCX-J/PCB**

MOLEX MOLEX INCORPORATED

DOCUMENT NO. SD-73415-147

SHEET NO. 3 OF 3