



Chipsmall Limited consists of a professional team with an average of over 10 year of expertise in the distribution of electronic components. Based in Hongkong, we have already established firm and mutual-benefit business relationships with customers from,Europe,America and south Asia,supplying obsolete and hard-to-find components to meet their specific needs.

With the principle of “Quality Parts,Customers Priority,Honest Operation,and Considerate Service”,our business mainly focus on the distribution of electronic components. Line cards we deal with include Microchip,ALPS,ROHM,Xilinx,Pulse,ON,Everlight and Freescale. Main products comprise IC,Modules,Potentiometer,IC Socket,Relay,Connector.Our parts cover such applications as commercial,industrial, and automotives areas.

We are looking forward to setting up business relationship with you and hope to provide you with the best service and solution. Let us make a better world for our industry!



Contact us

Tel: +86-755-8981 8866 Fax: +86-755-8427 6832

Email & Skype: info@chipsmall.com Web: www.chipsmall.com

Address: A1208, Overseas Decoration Building, #122 Zhenhua RD., Futian, Shenzhen, China

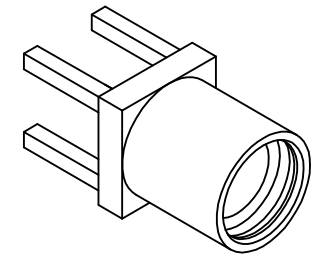
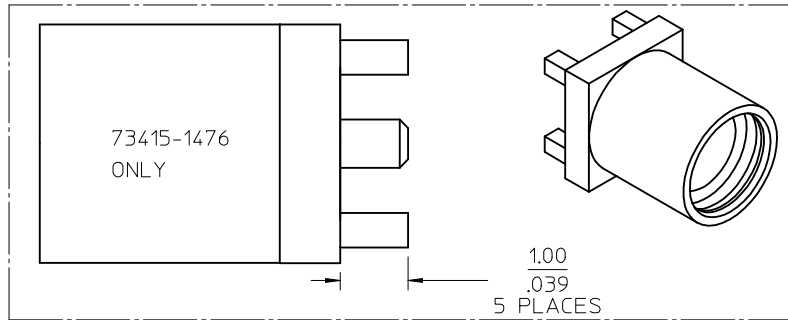


MATERIALS AND FINISHES

BODY SEE TABLE
 PLATED SEE TABLE

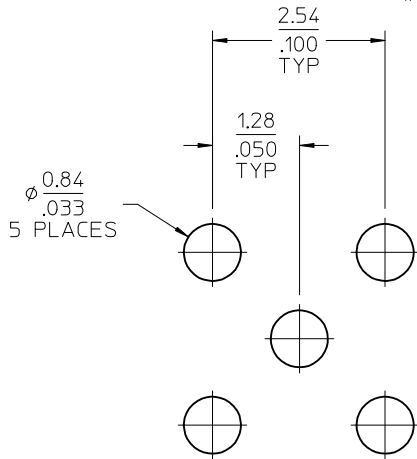
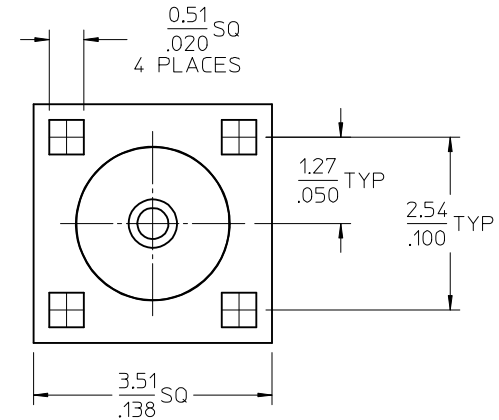
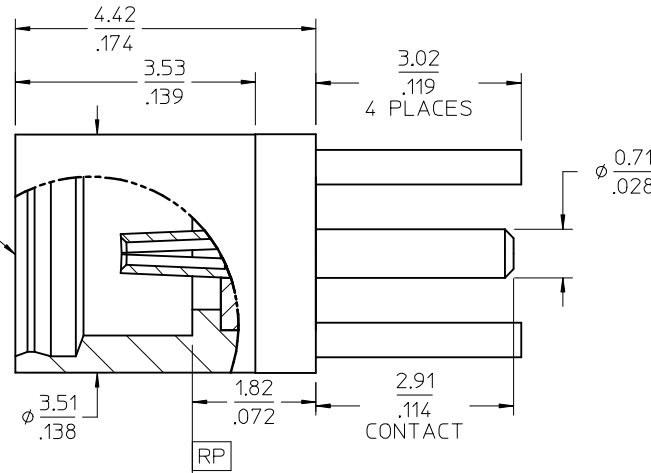
CENTER CONTACT BERYLLIUM COPPER
 PLATED GOLD

INSULATOR TEFLON



NOTE
 PART # 73415-1473 IS
 (NON-MAGNETIC)

MMCX JACK
 INTERFACE



SUGGESTED PCB LAYOUT

73415-1477	TRAY	BRASS/GOLD(PER COMMERCIAL REQUIRMENT)
73415-1476	TRAY (1.00 MM LEG LENGTHS)	BRASS/GOLD(PER COMMERCIAL REQUIRMENT)
73415-1475	P/N 73415-1471 WITH TAPE AND REEL	BRASS/GOLD(PER COMMERCIAL REQUIRMENT)
73415-1474	TRAY	BRASS/GOLD(PER COMMERCIAL REQUIRMENT)
73415-1473	BAG	BeCu/GOLD (NON MAGNETIC)
73415-1472	P/N 73415-1471, ONE PER BAG	BRASS/GOLD(PER COMMERCIAL REQUIRMENT)
73415-1471	BAG	BRASS/GOLD(PER COMMERCIAL REQUIRMENT)
73415-1470	BAG	BRASS/GOLD(PER MILITARY REQUIRMENT)
CECC 22 340	INTERFACE	
PS-89675-1920	ELECTRO/MECH PER.	
SPECIFICATION	DESCRIPTION	
	PART NO.	PACKAGING
		MATERIAL/PLATING

CHG: -1470/-1471/
 -1473 PACKAGE BAG
 WAS BULK
 PER RF16-E124
 EC NO: URF2017-0045
 DRWNLIN 2016/08/03
 CHKD:
 APPR:YCHENG 2016/08/10

QUALITY SYMBOLS
 ▽=0
 ▽=0

GENERAL TOLERANCES (UNLESS SPECIFIED)

	mm	INCH
4 PLACES	± .005	± .0004
3 PLACES	± .005	± .0004
2 PLACES	± .005	± .0004
1 PLACE	± .005	± .0004

ANGULAR ± 2°

DRAFT WHERE APPLICABLE
 MUST REMAIN
 WITHIN DIMENSIONS

DIMENSION STYLE
 MM/IN

DRAWN BY DATE
 TEF 2000/01/14

CHECKED BY DATE
 TEF 2000/01/14

APPROVED BY DATE
 GMH 2000/01/14

MATERIAL NO.
 SEE TABLE

SIZE
 C

SCALE
 DESIGN UNITS
 METRIC

THIRD ANGLE PROJECTION

TITLE
 MMCX JACK, PCB MOUNT
 50 OHMS
 MMCX-J/PCB

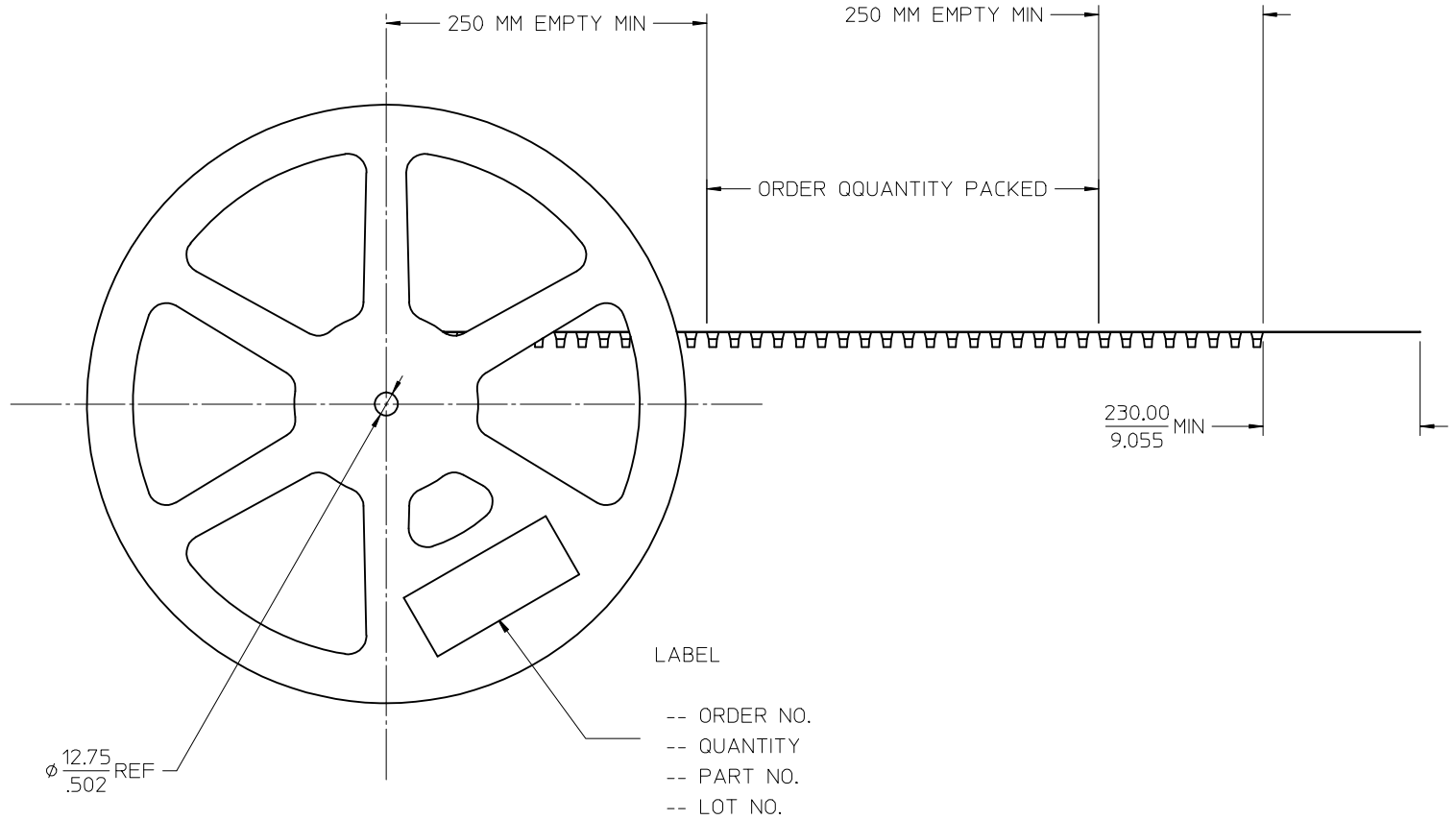
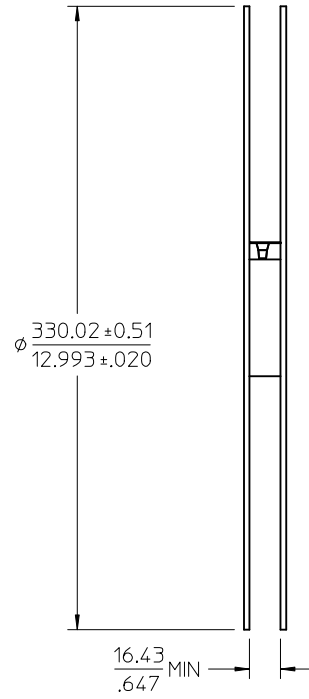
MOLEX INCORPORATED

DOCUMENT NO.
 SD-73415-147

SHEET NO.
 1 OF 3

THIS DRAWING CONTAINS INFORMATION THAT IS PROPRIETARY TO MOLEX INCORPORATED AND SHOULD NOT BE USED WITHOUT WRITTEN PERMISSION

13" REEL SIZE



LABEL

- ORDER NO.
- QUANTITY
- PART NO.
- LOT NO.

CHG: SEE SHEET 1

EC NO: URF2017-0045
 DRWNLIN 2016/08/03

CHKD:
 APPR: YCHENG 2016/08/10

REV/ DESCRIPTION

QUALITY SYMBOLS

GENERAL TOLERANCES (UNLESS SPECIFIED)

	mm	INCH
4 PLACES	± .005	± .0002
3 PLACES	± .005	± .0002
2 PLACES	± .005	± .0002
1 PLACE	± .005	± .0002

ANGULAR ± 2 °

DRAFT WHERE APPLICABLE
 MUST REMAIN
 WITHIN DIMENSIONS

DIMENSION STYLE
MM/IN

DRAWN BY	DATE
TEF	2000/01/14
CHECKED BY	DATE
TEF	2000/01/14
APPROVED BY	DATE
GMH	2000/01/14

MATERIAL NO. **SEE TABLE**

SCALE
METRIC

DESIGN UNITS
METRIC

THIRD ANGLE PROJECTION

TITLE
**MMCX JACK, PCB MOUNT
 50 OHMS
 MMCX-J/PCB**

MOLEX INCORPORATED

DOCUMENT NO. **SD-73415-147**

SHEET NO. **3 OF 3**

THIS DRAWING CONTAINS INFORMATION THAT IS PROPRIETARY TO MOLEX INCORPORATED AND SHOULD NOT BE USED WITHOUT WRITTEN PERMISSION