



Chipsmall Limited consists of a professional team with an average of over 10 year of expertise in the distribution of electronic components. Based in Hongkong, we have already established firm and mutual-benefit business relationships with customers from,Europe,America and south Asia,supplying obsolete and hard-to-find components to meet their specific needs.

With the principle of “Quality Parts,Customers Priority,Honest Operation,and Considerate Service”,our business mainly focus on the distribution of electronic components. Line cards we deal with include Microchip,ALPS,ROHM,Xilinx,Pulse,ON,Everlight and Freescale. Main products comprise IC,Modules,Potentiometer,IC Socket,Relay,Connector.Our parts cover such applications as commercial,industrial, and automotives areas.

We are looking forward to setting up business relationship with you and hope to provide you with the best service and solution. Let us make a better world for our industry!



Contact us

Tel: +86-755-8981 8866 Fax: +86-755-8427 6832

Email & Skype: info@chipsmall.com Web: www.chipsmall.com

Address: A1208, Overseas Decoration Building, #122 Zhenhua RD., Futian, Shenzhen, China

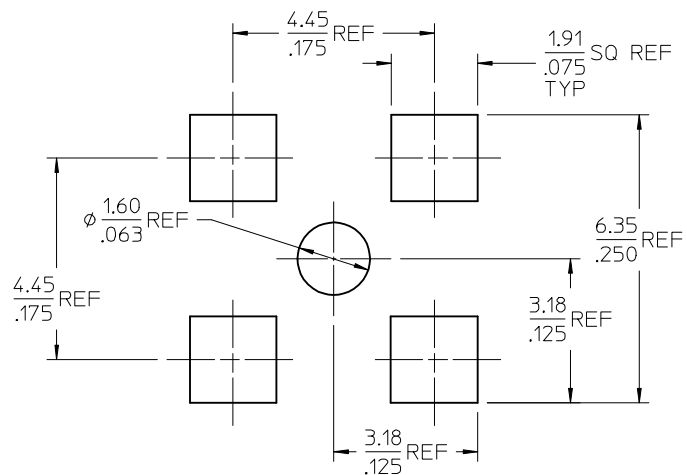
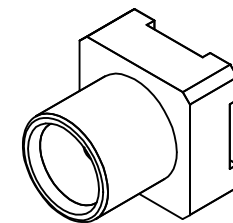


MATERIALS AND FINISHES:

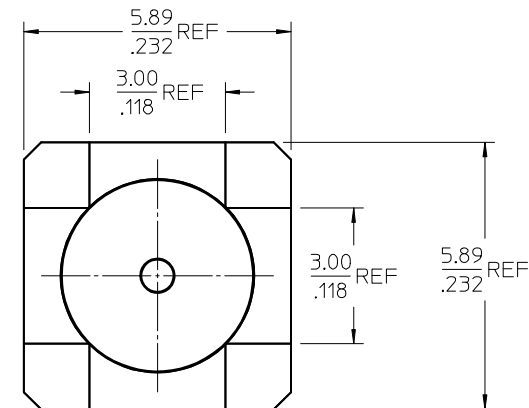
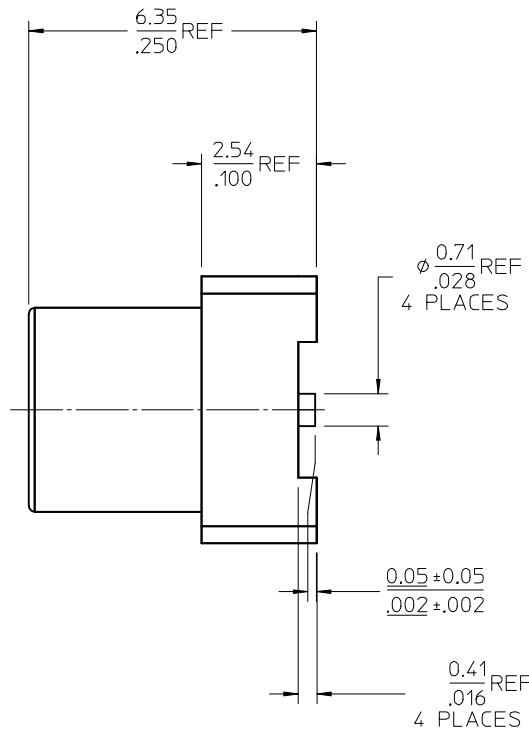
BODY: BRASS
PLATED SEE TABLE

CENTER CONTACT: BERYLLIUM COPPER
PLATED SEE TABLE

INSULATOR: PTFE



RECOMMENDED MOUNTING PATTERN



CHG: VIEWS UPD
FOR INSULATOR &
BODY DESIGN CHG
ADD PLATING TABLE
ON SHT 2.

EC NO: URF2017-0078
DRAWN:BBHARADWAJ 2016/08/10
CHKD:AZR 2016/08/10
APPR:AROBERTSON 2016/08/11

| REV | DESCRIPTION |
|-----|-------------|
| A6 | |

| QUALITY SYMBOLS | GENERAL TOLERANCES (UNLESS SPECIFIED) | |
|-----------------|---------------------------------------|--------|
| | mm | INCH |
| | 4 PLACES ± .005 | ± .002 |
| | 3 PLACES ± .005 | ± .002 |
| | 2 PLACES ± .005 | ± .002 |
| | 1 PLACE ± .005 | ± .002 |
| | 0 PLACE ± | ± |

ANGULAR ± 2 °


DRAFT WHERE APPLICABLE MUST REMAIN WITHIN DIMENSIONS

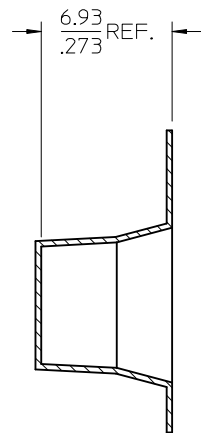
| DIMENSION STYLE | |
|-----------------|------------|
| MM/IN | |
| DRAWN BY | DATE |
| TEF | 2000/01/05 |
| CHECKED BY | DATE |
| TEF | 2000/01/05 |
| APPROVED BY | DATE |
| GMH | 2000/01/05 |
| MATERIAL NO. | |
| SEE TABLE | |

| SCALE | DESIGN UNITS | THIRD ANGLE PROJECTION |
|---|--------------|------------------------|
| | METRIC | |
| TITLE | | |
| MCX JACK,PCB,SMT,75 OHMS MCX-J/PCB | | |
| molex | | |
| MATERIAL NO. | DOCUMENT NO. | SHEET NO. |
| SEE TABLE | SD-73415-163 | 1 OF 4 |
| THIS DRAWING CONTAINS INFORMATION THAT IS PROPRIETARY TO MOLEX INCORPORATED AND SHOULD NOT BE USED WITHOUT WRITTEN PERMISSION | | |

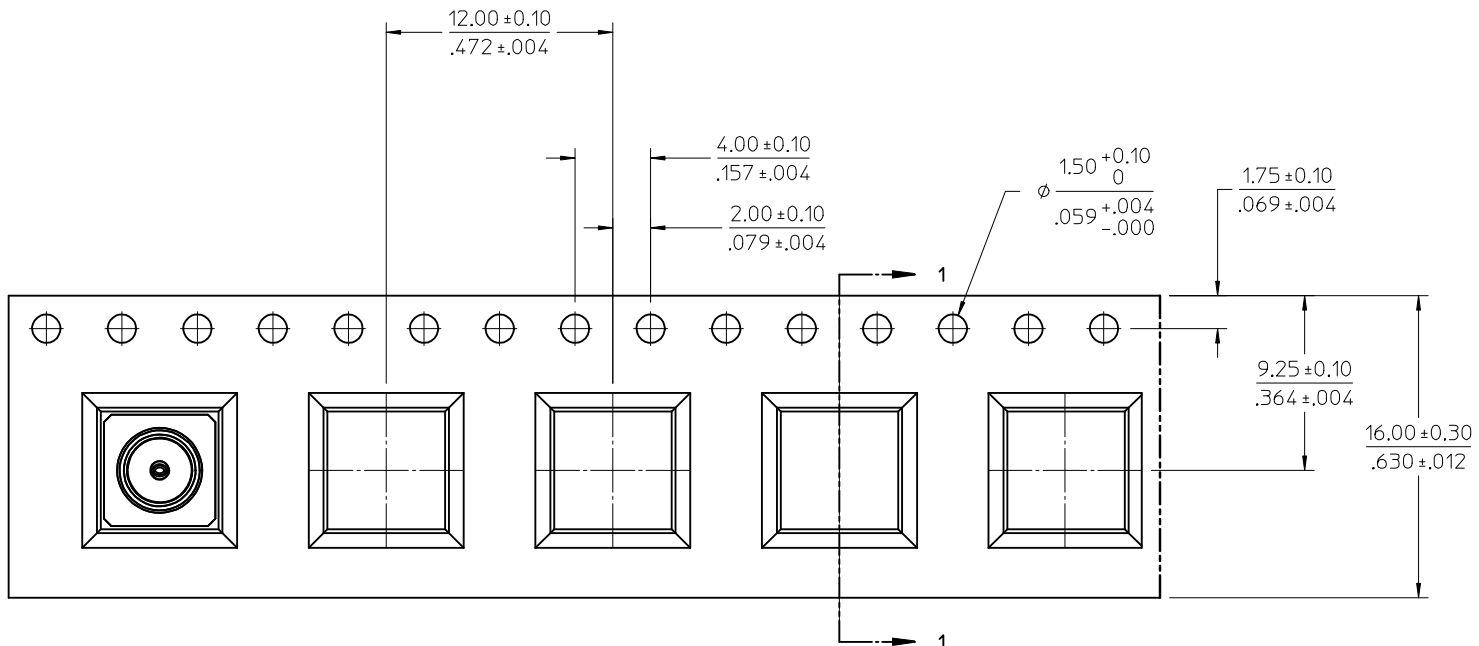
| | | |
|------------|-----------|---|
| 73415-1637 | SEE TABLE | TAPE ANS REEL (SPQ 800 PCS) WITHOUT KAPTON TAPE OF 73415-1630 |
| 73415-1636 | SEE TABLE | TAPE ANS REEL (SPQ 800 PCS) WITH KAPTON TAPE OF 73415-1630 |
| 73415-1635 | SEE TABLE | P/N 73415-1631, ONE PIECE PER BAG |
| 73415-1634 | SEE TABLE | P/N 73415-1630, ONE PIECE PER BAG |
| 73415-1633 | SEE TABLE | TAPE ANS REEL (SPQ 800 PCS) WITHOUT KAPTON TAPE OF 73415-1631 |
| 73415-1632 | SEE TABLE | TAPE ANS REEL (SPQ 800 PCS) WITH KAPTON TAPE OF 73415-1631 |
| 73415-1631 | SEE TABLE | INDIVIDUAL, 100 PIECES PER BAG |
| 73415-1630 | SEE TABLE | INDIVIDUAL, 100 PIECES PER BAG |
| PART NO. | PLATING. | PACKAGING |
| | | |

| | | |
|----------|---------------------|-------------------|
| CONTACT | GOLD (10μ-in MIN) | GOLD (30μ-in MIN) |
| BODY | TRI-M3 (80μ-in MIN) | GOLD (10μ-in MIN) |
| PART NO. | 73415-1630 | 73415-1631 |
| | | |

| | | | | | | | | | | |
|--|------------------------|-----------------|--|--------------------------|------------------|---|---|------------------------|---|--|
| CHG: SEE SHEET 1 IEC NO: URF2017-0078 DRW:BBHARADWAJ.D 2016/08/10 CHKD:AZR 2016/08/10 APPR:AROBERTSON 2016/08/11 | DESCRIPTION REV: A6 | QUALITY SYMBOLS | GENERAL TOLERANCES (UNLESS SPECIFIED) | DIMENSION STYLE MM/IN | | SCALE | DESIGN UNITS METRIC | THIRD ANGLE PROJECTION | | |
| | | ▽=0 | 4 PLACES ± --- ± --- | DRAWN BY DATE | TITLE | | MCX JACK,PCB,SMT,75 OHMS MCX-J/PCB | | | |
| | | ▽=0 | 3 PLACES ± --- ± --- | TEF 2000/01/05 | CHECKED BY DATE | | | | | |
| | | ▽=0 | 2 PLACES ± --- ± --- | TEF 2000/01/05 | APPROVED BY DATE | |  | | DOCUMENT NO. SD-73415-163 SHEET NO. 2 OF 4 | |
| ▽=0 | 1 PLACE ± --- ± --- | GMH 2000/01/05 | MATERIAL NO. | | | | | | | |
| ANGULAR ± 2 ° | | | DRAFT WHERE APPLICABLE MUST REMAIN WITHIN DIMENSIONS | | SIZE C | THIS DRAWING CONTAINS INFORMATION THAT IS PROPRIETARY TO MOLEX INCORPORATED AND SHOULD NOT BE USED WITHOUT WRITTEN PERMISSION | | | | |



Section 1-1



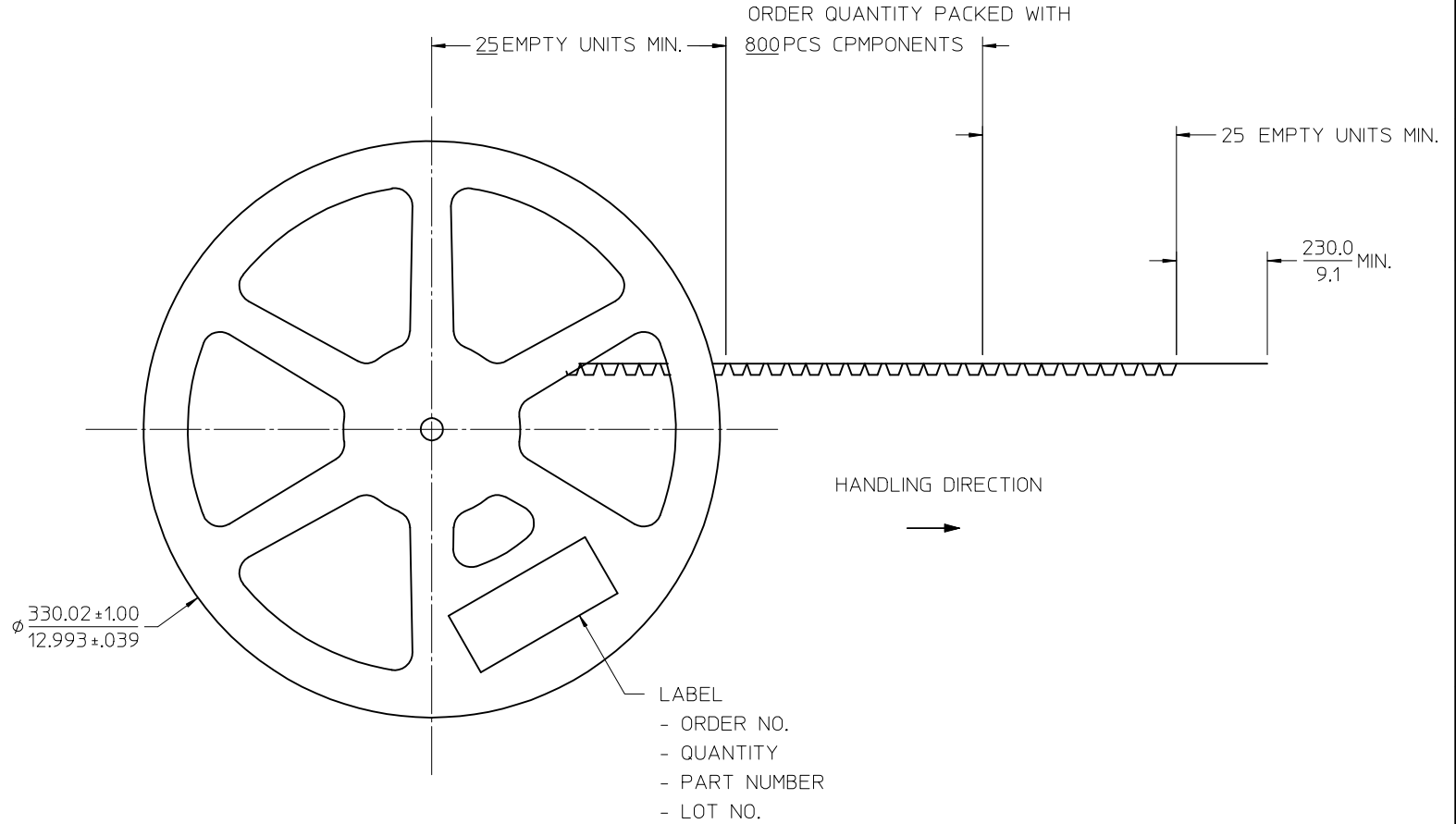
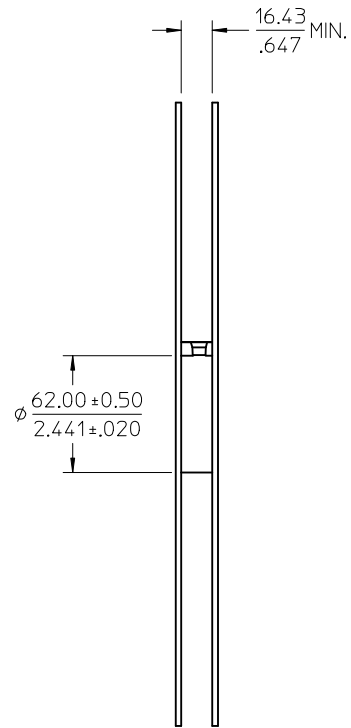
Partial1

| | | | | | | | |
|--|-----------------|--|---|--------------------------|--------------|------------------------|--|
| CHG: SEE SHEET 1 EEC NO: URF2017-0078 DRWN:BBHARADWAJD 2016/08/10 CHKD:AZR 2016/08/10 APPR:AROBERTSON 2016/08/11 | QUALITY SYMBOLS | GENERAL TOLERANCES (UNLESS SPECIFIED) | DIMENSION STYLE | SCALE | DESIGN UNITS | THIRD ANGLE PROJECTION | |
| | ▽=0 | mm INCH | MM/IN | METRIC | ⊙ | | |
| | ▽=0 | 4 PLACES ± --- ± --- | DRAWN BY DATE | TITLE | | | |
| | ▽=0 | 3 PLACES ± --- ± --- | CHECKED BY DATE | MCX JACK,PCB,SMT,75 OHMS | | | |
| | | 1 PLACE ± --- ± --- | TEF 2000/01/05 | | | | |
| | | 0 PLACE ± --- ± --- | TEF 2000/01/05 | | | | |
| | | | APPROVED BY DATE | | | | |
| | | | GMH 2000/01/05 | | | | |
| | | ANGULAR ± 2 ° | MATERIAL NO. | | | | |
| | | DRAFT WHERE APPLICABLE MUST REMAIN WITHIN DIMENSIONS | SEE SHEET 1 | | | | |
| | | | SIZE C | | | | |
| | | | THIS DRAWING CONTAINS INFORMATION THAT IS PROPRIETARY TO MOLEX INCORPORATED AND SHOULD NOT BE USED WITHOUT WRITTEN PERMISSION | | | | |
| A6 | REV | | | | | | |



DOCUMENT NO. SD-73415-163 SHEET NO. 3 OF 4

PART NO. 73415-1636
 13" REEL SIZE FOR 800 PIECES



| | | | | | | | | |
|---|---|---------------------------------------|---|-----------------|--------------|--------------|--------------------------|------|
| CHG: SEE SHEET 1 EC NO: URF2017-0078 DRWN:BBHARADWAJ.D 2016/08/10 CHKD:AZR 2016/08/10 APPR:AROBERTSON 2016/08/11 | QUALITY SYMBOLS $\nabla = 0$ $\nabla = 0$ $\nabla = 0$ | GENERAL TOLERANCES (UNLESS SPECIFIED) | | DIMENSION STYLE | SCALE | DESIGN UNITS | THIRD ANGLE PROJECTION | |
| | | | | MM/IN | | | | |
| | | 4 PLACES | ± | --- | ± | --- | DRAWN BY | DATE |
| | | 3 PLACES | ± | --- | ± | --- | CHECKED BY | DATE |
| 2 PLACES | ± | --- | ± | --- | TEF | 2000/01/05 | TITLE | |
| 1 PLACE | ± | --- | ± | --- | APPROVED BY | DATE | MCX JACK,PCB,SMT,75 OHMS | |
| 0 PLACE | ± | --- | ± | --- | GMH | 2000/01/05 | MCX-J/PCB | |
| | | ANGULAR ± 2 ° | | MATERIAL NO. | DOCUMENT NO. | | SHEET NO. | |
| DRAFT WHERE APPLICABLE MUST REMAIN WITHIN DIMENSIONS | | SEE SHEET 1 | | SD-73415-163 | | 4 OF 4 | | |
| THIS DRAWING CONTAINS INFORMATION THAT IS PROPRIETARY TO MOLEX INCORPORATED AND SHOULD NOT BE USED WITHOUT WRITTEN PERMISSION | | | | | | | | |