



Chipsmall Limited consists of a professional team with an average of over 10 year of expertise in the distribution of electronic components. Based in Hongkong, we have already established firm and mutual-benefit business relationships with customers from,Europe,America and south Asia,supplying obsolete and hard-to-find components to meet their specific needs.

With the principle of “Quality Parts,Customers Priority,Honest Operation,and Considerate Service”,our business mainly focus on the distribution of electronic components. Line cards we deal with include Microchip,ALPS,ROHM,Xilinx,Pulse,ON,Everlight and Freescale. Main products comprise IC,Modules,Potentiometer,IC Socket,Relay,Connector.Our parts cover such applications as commercial,industrial, and automotives areas.

We are looking forward to setting up business relationship with you and hope to provide you with the best service and solution. Let us make a better world for our industry!



## Contact us

Tel: +86-755-8981 8866 Fax: +86-755-8427 6832

Email & Skype: info@chipsmall.com Web: www.chipsmall.com

Address: A1208, Overseas Decoration Building, #122 Zhenhua RD., Futian, Shenzhen, China

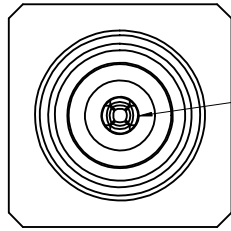


MATERIALS & FINISHES:

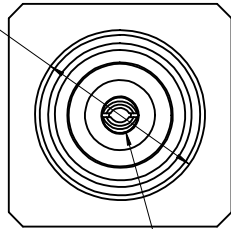
BODY: BRASS  
PLATING: SEE TABLE

CONTACT: BERYLLIUM COPPER  
PLATING: GOLD 30u"

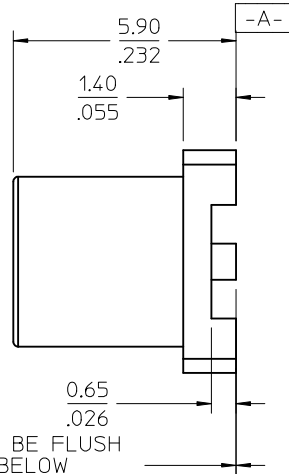
INSULATOR: TEFLON



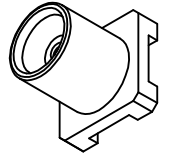
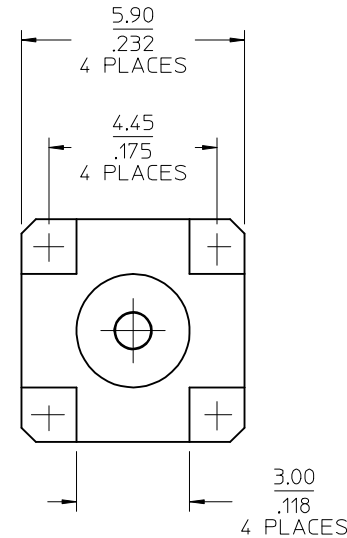
73415-1696  
4 SLOT CONTACT



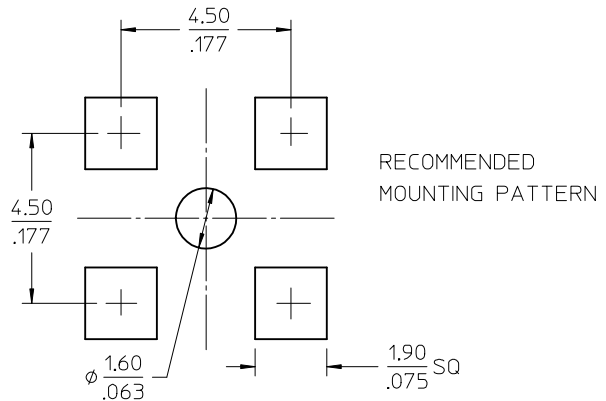
∅ 4.50  
.177



CONTACT TO BE FLUSH  
- TO .004(0.10) BELOW  
SURFACE



NOTE:  
73415-1696 AND 73415-1697 WITH 4 SLOTS.  
ALL OTHERS WITH 2 SLOT CONTACT.

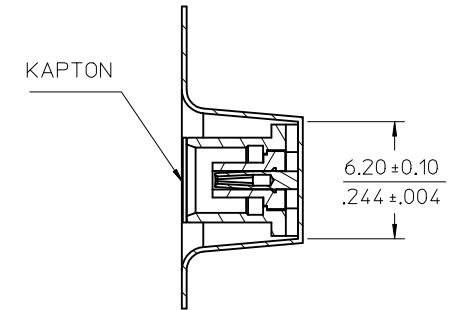
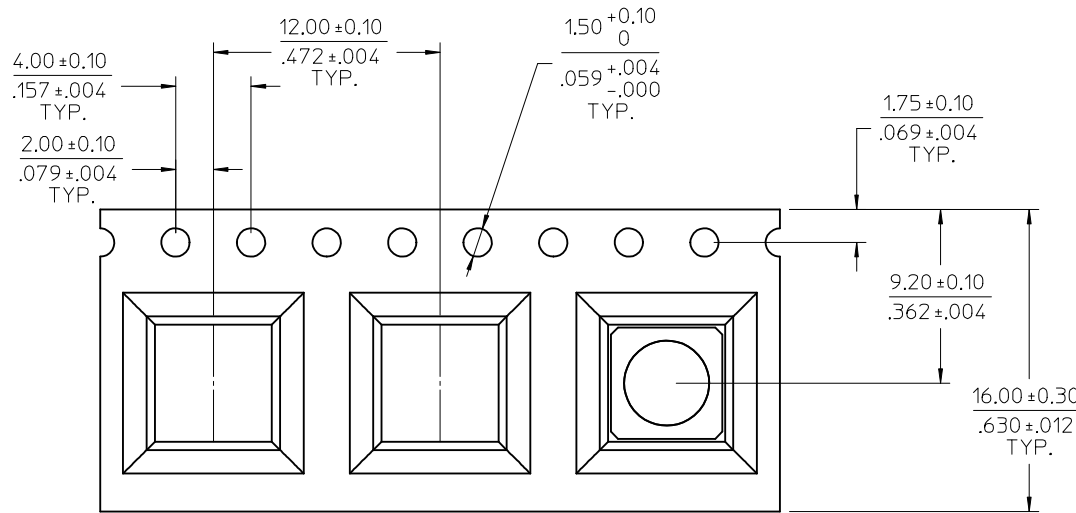


RECOMMENDED  
MOUNTING PATTERN

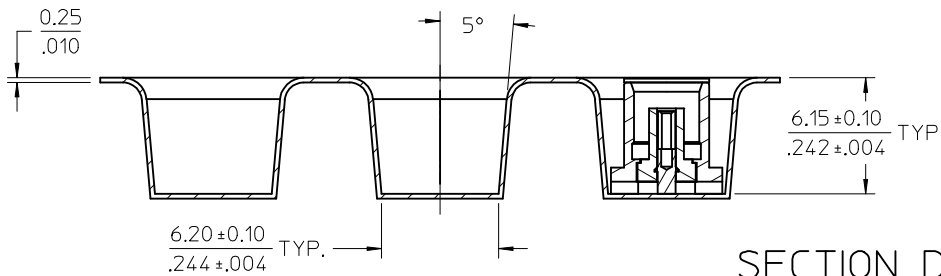
73366-6510	73415-1691 WITH T&R SEE SHEET2 NOTE	GOLD (1 u")
73415-1699	ONE PIECE PER BAG	GOLD (1 u")
73415-1698	T&R SEE SHEET2 NOTE	GOLD (30 u")
73415-1697	73415-1696 WITH T&R SEE SHEET2 NOTE	GOLD (1 u")
73415-1696	GENERAL	GOLD (1 u")
73415-1695	73415-1690 WITH T&R SEE SHEET2 NOTE	NICKEL
73415-1694	73415-1691 PACKAGING SMALL TRAY	GOLD (1 u")
73415-1693	73415-1690 PACKAGING SMALL TRAY	NICKEL
73415-1692	73415-1691 WITH T&R SEE SHEET2 NOTE	GOLD (1 u")
73415-1691	BAG (500 PCS PER BAG)	GOLD (1 u")
73415-1690	BAG (500 PCS PER BAG)	NICKEL
PART NO.	PACKAGING	BODY PLATING

PS-89675-1830	PERFORMANCE
SPECIFICATION	DESCRIPTION

CHG:ADDED P/N 73366-6510 PDR16032222 EC NO: URF2016-0663 DRAWN:YCHENG 2016/03/30 CHKD: APPR:YCHENG 2016/04/07 DESCRIPTION REV B4	QUALITY SYMBOLS ▽=0 ▽=0	GENERAL TOLERANCES (UNLESS SPECIFIED) <table border="1"> <tr> <th></th> <th>mm</th> <th>INCH</th> </tr> <tr> <td>4 PLACES ±</td> <td>---</td> <td>---</td> </tr> <tr> <td>3 PLACES ±</td> <td>---</td> <td>---</td> </tr> <tr> <td>2 PLACES ±</td> <td>---</td> <td>---</td> </tr> <tr> <td>1 PLACE ±</td> <td>---</td> <td>---</td> </tr> </table> ANGULAR ± 2 °		mm	INCH	4 PLACES ±	---	---	3 PLACES ±	---	---	2 PLACES ±	---	---	1 PLACE ±	---	---	DIMENSION STYLE MM/IN DRAWN BY DATE LMB 2000/11/9 CHECKED BY DATE SSS 2000/11/9 APPROVED BY DATE JWIENER 2010/04/23	SCALE DESIGN UNITS METRIC THIRD ANGLE PROJECTION	TITLE MCX PCB/SMT JACK 50 OHM MCX-J/PCB/SMT EWR-1148	MATERIAL NO. SEE TABLE SIZE C THIS DRAWING CONTAINS INFORMATION THAT IS PROPRIETARY TO MOLEX INCORPORATED AND SHOULD NOT BE USED WITHOUT WRITTEN PERMISSION	MOLEX MOLEX INCORPORATED DOCUMENT NO. SD-73415-169 SHEET NO. 1 OF 2
		mm	INCH																			
4 PLACES ±	---	---																				
3 PLACES ±	---	---																				
2 PLACES ±	---	---																				
1 PLACE ±	---	---																				
DRAFT WHERE APPLICABLE MUST REMAIN WITHIN DIMENSIONS		THIS DRAWING CONTAINS INFORMATION THAT IS PROPRIETARY TO MOLEX INCORPORATED AND SHOULD NOT BE USED WITHOUT WRITTEN PERMISSION																				



SECTION B-B



SECTION D-D

NOTE:  
750 CONNECTOR PER REEL ON 13 INCH REEL,  
16mm TAPE, 12mm CAVITY PITCH  
TAPE CAP ON EACH PART

CHG: SEE SHEET1 EC NO: URF2016-0663 DRAWN: YCHENG 2016/03/30 CHKD: APPR: YCHENG 2016/04/07	QUALITY SYMBOLS ▽=0 ▽=0	GENERAL TOLERANCES (UNLESS SPECIFIED)		DIMENSION STYLE	SCALE	DESIGN UNITS	THIRD ANGLE PROJECTION	
		mm	INCH	MM/IN		METRIC		
REV B4	DESCRIPTION	4 PLACES ± --- ± ---		DRAWN BY	DATE	TITLE	MOLEX INCORPORATED SD-73415-169	
		3 PLACES ± --- ± ---		LMB	2000/11/9	MCX PCB/SMT JACK 50 OHM MCX-J/PCB/SMT EWR-1148		
		2 PLACES ± --- ± ---		CHECKED BY	DATE			
		1 PLACE ± --- ± ---		SSS	2000/11/9			
		ANGULAR ± 2°		APPROVED BY	DATE			
		DRAFT WHERE APPLICABLE MUST REMAIN WITHIN DIMENSIONS		JWIENER	2010/04/23			
				MATERIAL NO.		DOCUMENT NO.	SHEET NO.	
				SEE SHEET1			2 OF 2	
		THIS DRAWING CONTAINS INFORMATION THAT IS PROPRIETARY TO MOLEX INCORPORATED AND SHOULD NOT BE USED WITHOUT WRITTEN PERMISSION						