



Chipsmall Limited consists of a professional team with an average of over 10 year of expertise in the distribution of electronic components. Based in Hongkong, we have already established firm and mutual-benefit business relationships with customers from,Europe,America and south Asia,supplying obsolete and hard-to-find components to meet their specific needs.

With the principle of "Quality Parts,Customers Priority,Honest Operation,and Considerate Service",our business mainly focus on the distribution of electronic components. Line cards we deal with include Microchip,ALPS,ROHM,Xilinx,Pulse,ON,Everlight and Freescale. Main products comprise IC,Modules,Potentiometer,IC Socket,Relay,Connector.Our parts cover such applications as commercial,industrial, and automotives areas.

We are looking forward to setting up business relationship with you and hope to provide you with the best service and solution. Let us make a better world for our industry!



Contact us

Tel: +86-755-8981 8866 Fax: +86-755-8427 6832

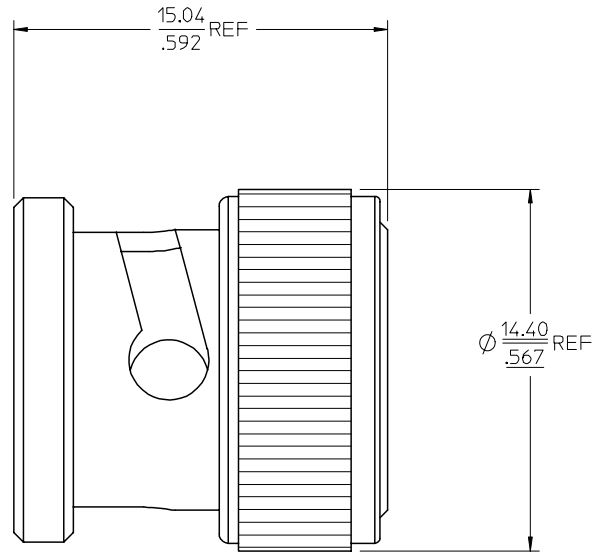
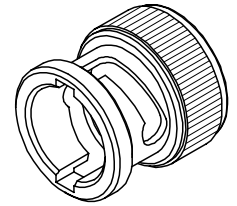
Email & Skype: info@chipsmall.com Web: www.chipsmall.com

Address: A1208, Overseas Decoration Building, #122 Zhenhua RD., Futian, Shenzhen, China



13 12 11 10 9 8 7 6 5 4 3 2 1

MATERIALS AND FINISHES
 COUPLING NUT, CAP BRASS
 PLATED NICKEL
 GASKET SILICONE RUBBER



73415-1961	73415-1960, ONE PER BAG
73415-1960	BULK
PART NO.	PACKAGING

CHG: REDREW IN SD
 CHANGED ALL DIMS
 FROM IN/MM TO MM/IN
 ADDED PN/
 73415-1961 AND
 PACKAGING INFO
 EC NO: URF2007-0264
 DRWN: FLAHERTY 2007/01/09
 CHKD: SHAH 2007/01/09
 APPR: JIMENER 2007/01/09
 A1

QUALITY SYMBOLS

 DESCRIPTION

GENERAL TOLERANCES (UNLESS SPECIFIED)	
mm	INCH
4 PLACES ± .005	± .0004
3 PLACES ± .003	± .0003
2 PLACES ± .002	± .0002
1 PLACE ± .001	± .0001
ANGULAR ± 2 °	

DRAFT WHERE APPLICABLE
 MUST REMAIN
 WITHIN DIMENSIONS

DIMENSION STYLE	
MM/IN	
DRAWN BY	DATE
AZR	2003/08/12
CHECKED BY	DATE
JDW	2003/08/12
APPROVED BY	DATE
GMH	2003/08/12
MATERIAL NO.	
SEE TABLE	

SCALE	DESIGN UNITS	THIRD ANGLE PROJECTION
	METRIC	
BNC PLUG, DUST CAP EWR-2143 BNC-M		
MOLEX INCORPORATED		
DOCUMENT NO.	SHEET NO.	
SD-73415-196	1 OF 1	

12 11 10 9 8 7 6 5 4 3 2 1