



Chipsmall Limited consists of a professional team with an average of over 10 year of expertise in the distribution of electronic components. Based in Hongkong, we have already established firm and mutual-benefit business relationships with customers from,Europe,America and south Asia,supplying obsolete and hard-to-find components to meet their specific needs.

With the principle of “Quality Parts,Customers Priority,Honest Operation,and Considerate Service”,our business mainly focus on the distribution of electronic components. Line cards we deal with include Microchip,ALPS,ROHM,Xilinx,Pulse,ON,Everlight and Freescale. Main products comprise IC,Modules,Potentiometer,IC Socket,Relay,Connector.Our parts cover such applications as commercial,industrial, and automotives areas.

We are looking forward to setting up business relationship with you and hope to provide you with the best service and solution. Let us make a better world for our industry!



Contact us

Tel: +86-755-8981 8866 Fax: +86-755-8427 6832

Email & Skype: info@chipsmall.com Web: www.chipsmall.com

Address: A1208, Overseas Decoration Building, #122 Zhenhua RD., Futian, Shenzhen, China

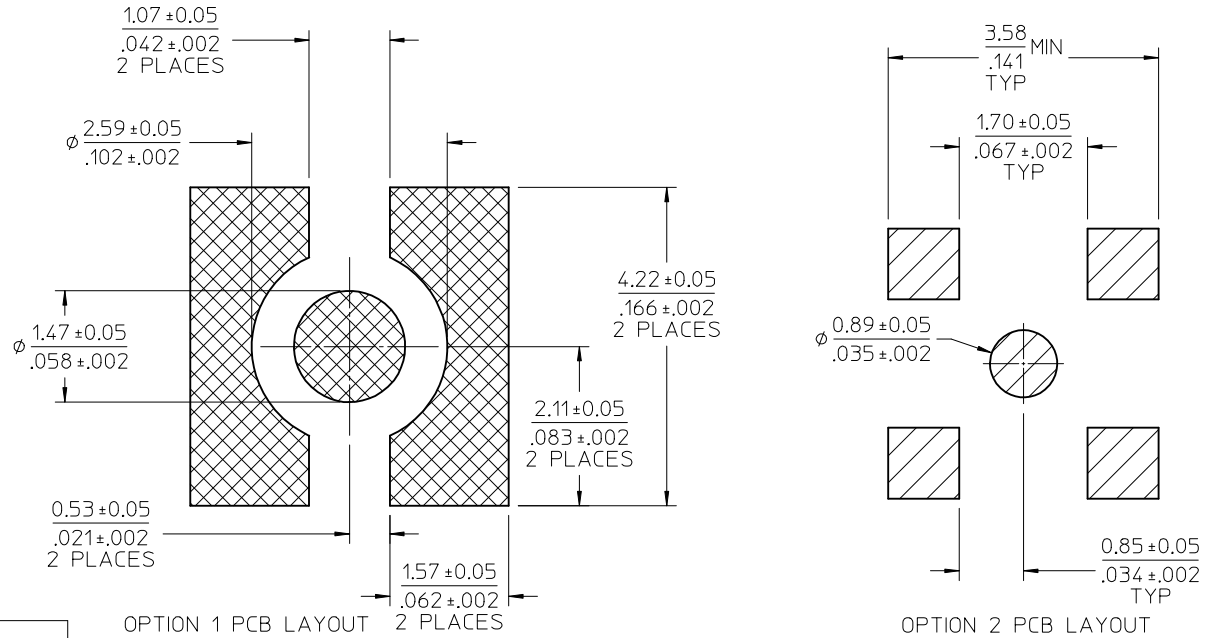
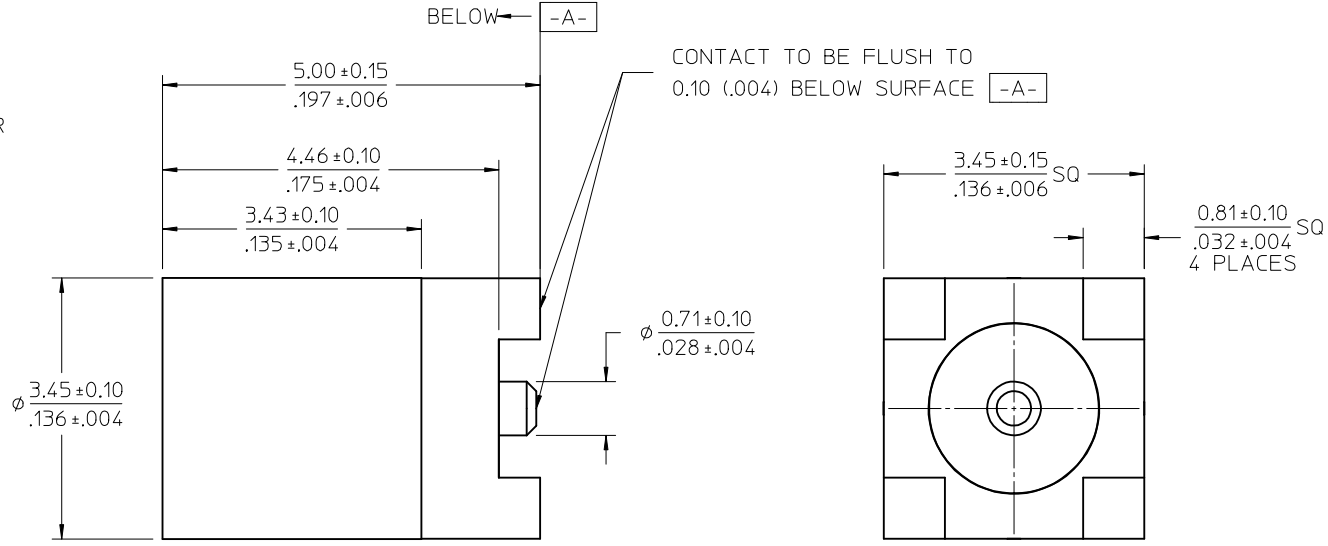
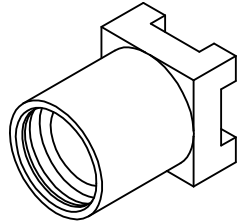


MATERIALS AND FINISHES

BODY BRASS
PLATED GOLD

CENTER CONTACT BERYLLIUM COPPER
PLATED GOLD

INSULATOR TEFLON



PS-89675-1920	ELECTRO/MECH PERFORM.
SPECIFICATION	DESCRIPTION

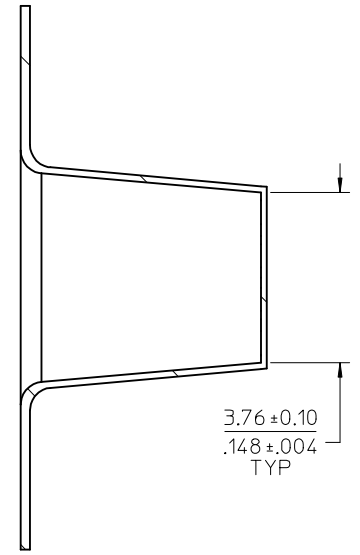
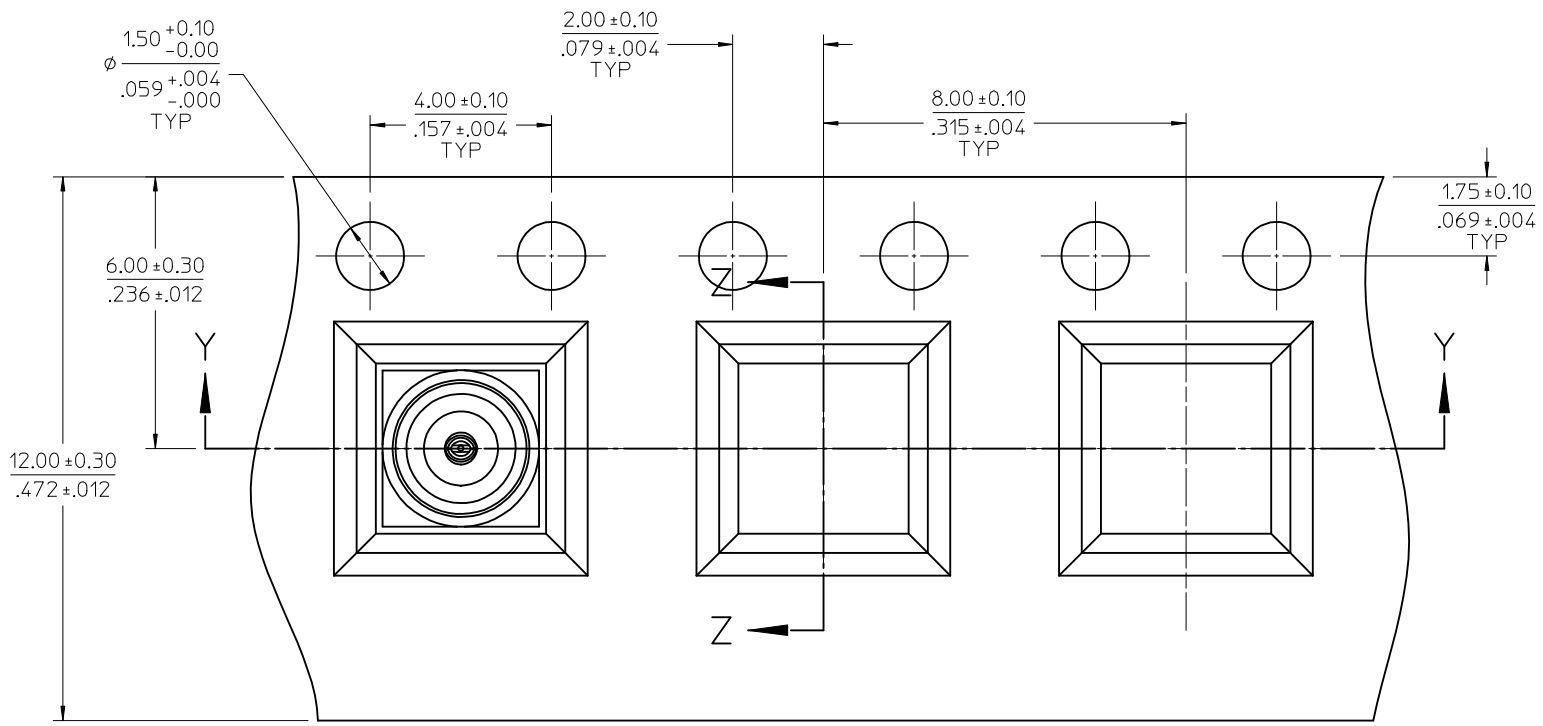
73415-2064	73415-2061. ONE PER BAG
73415-2063	73415-2061 WITH TAPE & REEL
73415-2062	73415-2060 WITH TAPE & REEL
73415-2061	PER COMMERCIAL REQUIREMENTS, PACKING TRAY
73415-2060	PER MILITARY REQUIREMENTS, PACKING TRAY
PART NO.	PLATING

CHG:73415-2060-2061 PACKING UPDATE TO TRAY EWR RF15-E384	EC NO: URF2016-0367	2015/11/05	QUALITY SYMBOLS
DRWN:YCHENG	CHKD:	APPR:YCHENG	DESCRIPTION
REV			

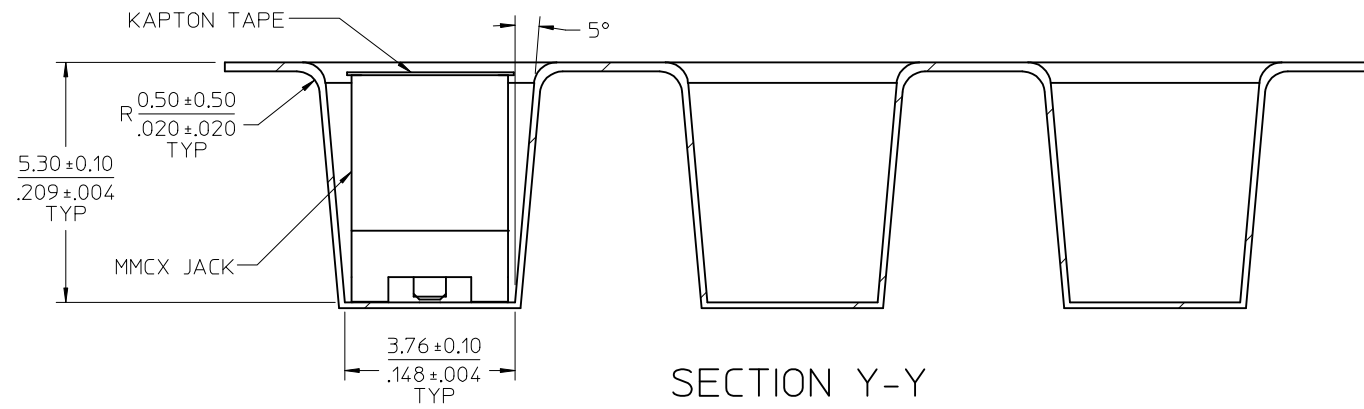
GENERAL TOLERANCES (UNLESS SPECIFIED)	
mm	INCH
4 PLACES ± .010	± .0004
3 PLACES ± .015	± .0006
2 PLACES ± .020	± .0008
1 PLACE ± .030	± .0012
0 PLACE ± .040	± .0016
ANGULAR ± 2 °	
DRAFT WHERE APPLICABLE MUST REMAIN WITHIN DIMENSIONS	

DIMENSION STYLE	
MM/IN	
DRAWN BY	DATE
TEF	2000/04/18
CHECKED BY	DATE
SSS	2000/04/18
APPROVED BY	DATE
GMH	2000/04/18
MATERIAL NO.	
SEE TABLE	

SCALE	DESIGN UNITS	THIRD ANGLE PROJECTION
	METRIC	
MMCX JACK, VERTICAL PCB/SMT 50 OHMS MMCX-J/PCB		
molex		
DOCUMENT NO.	SHEET NO.	
SD-73415-206	1 OF 4	



SECTION Z-Z



SECTION Y-Y

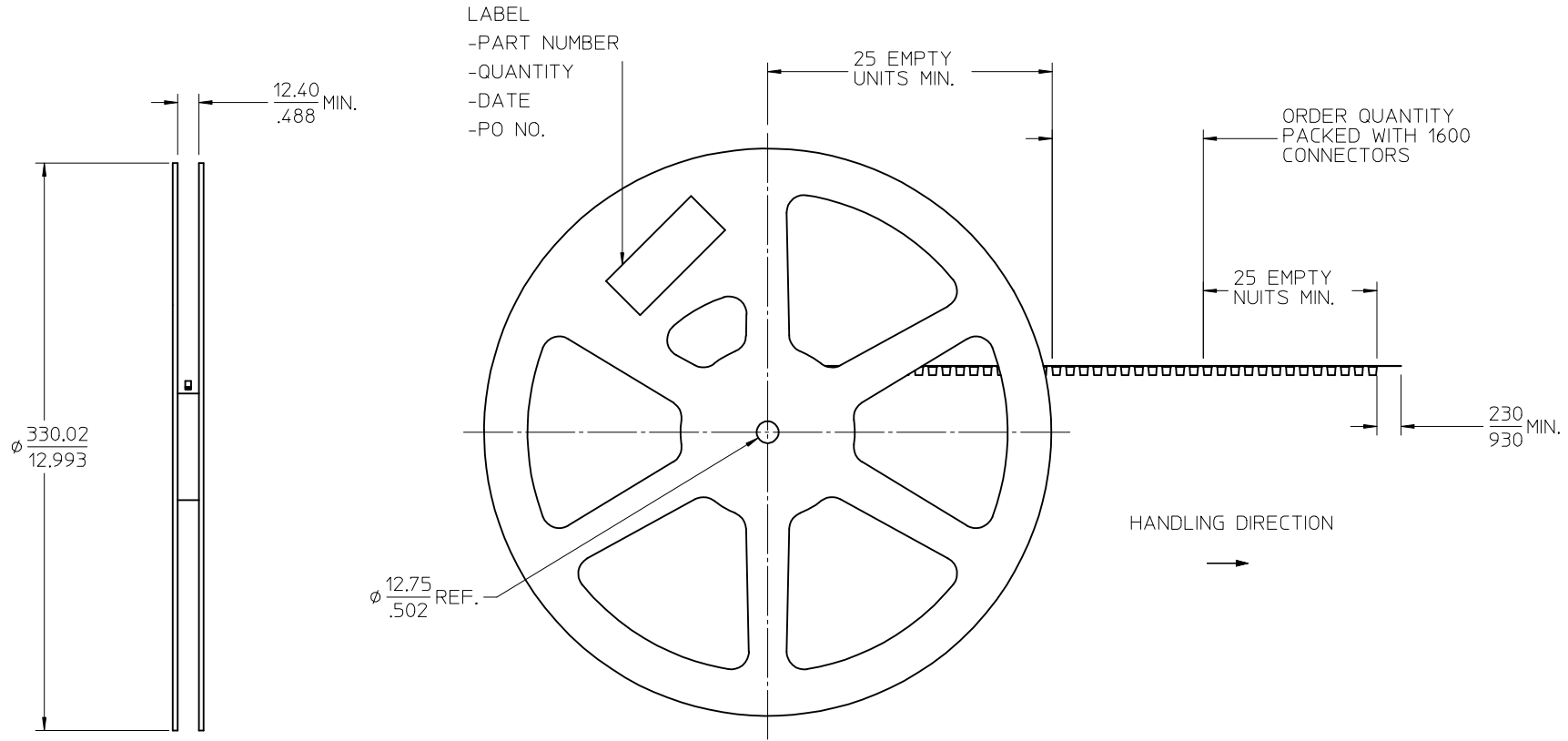
SEE SHEET 1	QUALITY SYMBOLS
EC NO: URF2016-0367	$\nabla = 0$
DRWN: YCHENG 2015/11/05	$\nabla = 0$
CHKD: YCHENG	$\nabla = 0$
APPR: YCHENG 2015/11/09	
REV	DESCRIPTION
B	

GENERAL TOLERANCES (UNLESS SPECIFIED)	
mm	INCH
4 PLACES ± ---	± ---
3 PLACES ± ---	± ---
2 PLACES ± ---	± ---
1 PLACE ± ---	± ---
0 PLACE ±	±
ANGULAR ± 2 °	
DRAFT WHERE APPLICABLE MUST REMAIN WITHIN DIMENSIONS	

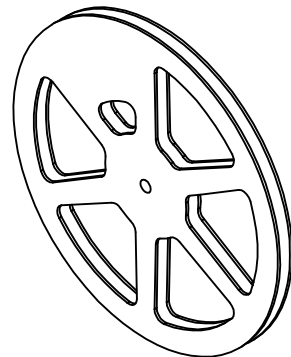
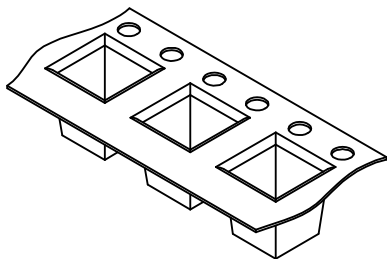
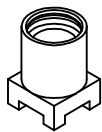
DIMENSION STYLE	
MM/IN	
DRAWN BY	DATE
TEF	2000/04/18
CHECKED BY	DATE
SSS	2000/04/18
APPROVED BY	DATE
GMH	2000/04/18
MATERIAL NO.	
SEE SHEET 1	

SCALE	DESIGN UNITS	THIRD ANGLE PROJECTION
	METRIC	
TITLE		
MMCX JACK, VERTICAL		
PCB/SMT 50 OHMS		
MMCX-J/PCB		
molex		
DOCUMENT NO.	SHEET NO.	
SD-73415-206	2 OF 4	

NOTE:
13" REEL SIZE FOR 1600 PIECES

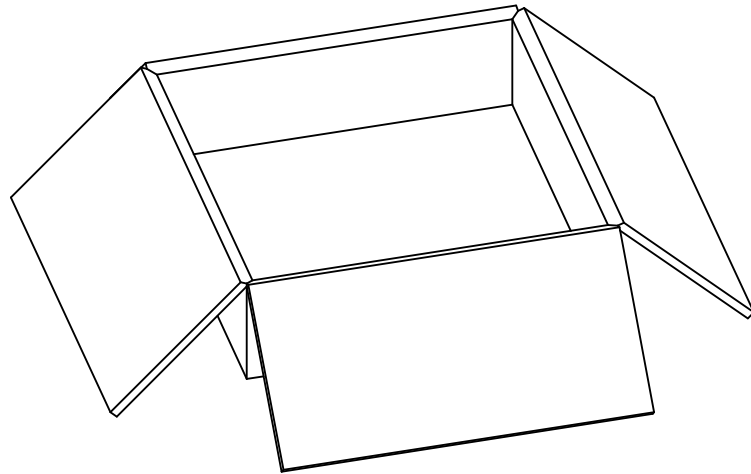


SEE SHEET 1 EC NO: URF2016-0367 DRAWN: YCHENG 2015/11/05 CHKD: APPR: YCHENG 2015/11/09	QUALITY SYMBOLS 	GENERAL TOLERANCES (UNLESS SPECIFIED)		DIMENSION STYLE MM/IN	SCALE	DESIGN UNITS METRIC	THIRD ANGLE PROJECTION
		4 PLACES ± --- ± --- 3 PLACES ± --- ± --- 2 PLACES ± --- ± --- 1 PLACE ± --- ± --- 0 PLACE ± ±	mm INCH ± --- ± --- ± --- ± --- ± --- ± --- ± --- ± --- ± ±	DRAWN BY TEF	DATE 2000/04/18	TITLE MMCX JACK, VERTICAL PCB/SMT 50 OHMS MMCX-J/PCB	MATERIAL NO. SEE SHEET 1
DRAFT WHERE APPLICABLE MUST REMAIN WITHIN DIMENSIONS		ANGULAR ± 2 °		THIS DRAWING CONTAINS INFORMATION THAT IS PROPRIETARY TO MOLEX INCORPORATED AND SHOULD NOT BE USED WITHOUT WRITTEN PERMISSION			



PART NO.
73415-2062/73415-2063

1600 SET PER 13" REEL



8000 CONNECTORS PER
OUTER CARTON BOX
339 X 339 X 100 REF.

SEE SHEET 1 EC NO: URF2016-0367 DRAWN: YCHENG 2015/11/05 CHKD: APPR: YCHENG 2015/11/09	QUALITY SYMBOLS	GENERAL TOLERANCES (UNLESS SPECIFIED)		DIMENSION STYLE MM/IN		SCALE	DESIGN UNITS METRIC	THIRD ANGLE PROJECTION	
	▽=0	mm	INCH	DRAWN BY	DATE	TITLE	MMCX JACK, VERTICAL PCB/SMT 50 OHMS MMCX-J/PCB molex		
	▽=0	4 PLACES ±	3 PLACES ±	TEF	2000/04/18				
	▽=0	3 PLACES ±	2 PLACES ±	CHECKED BY	DATE				
▽=0	2 PLACES ±	1 PLACE ±	SSS	2000/04/18					
	1 PLACE ±	0 PLACE ±	APPROVED BY	DATE					
			GMH	2000/04/18					
			ANGULAR ± 2°		MATERIAL NO.	DOCUMENT NO.		SHEET NO.	
			DRAFT WHERE APPLICABLE MUST REMAIN WITHIN DIMENSIONS		SEE SHEET 1	SD-73415-206		4 OF 4	
			THIS DRAWING CONTAINS INFORMATION THAT IS PROPRIETARY TO MOLEX INCORPORATED AND SHOULD NOT BE USED WITHOUT WRITTEN PERMISSION						