



Chipsmall Limited consists of a professional team with an average of over 10 year of expertise in the distribution of electronic components. Based in Hongkong, we have already established firm and mutual-benefit business relationships with customers from,Europe,America and south Asia,supplying obsolete and hard-to-find components to meet their specific needs.

With the principle of “Quality Parts,Customers Priority,Honest Operation,and Considerate Service”,our business mainly focus on the distribution of electronic components. Line cards we deal with include Microchip,ALPS,ROHM,Xilinx,Pulse,ON,Everlight and Freescale. Main products comprise IC,Modules,Potentiometer,IC Socket,Relay,Connector.Our parts cover such applications as commercial,industrial, and automotives areas.

We are looking forward to setting up business relationship with you and hope to provide you with the best service and solution. Let us make a better world for our industry!



Contact us

Tel: +86-755-8981 8866 Fax: +86-755-8427 6832

Email & Skype: info@chipsmall.com Web: www.chipsmall.com

Address: A1208, Overseas Decoration Building, #122 Zhenhua RD., Futian, Shenzhen, China



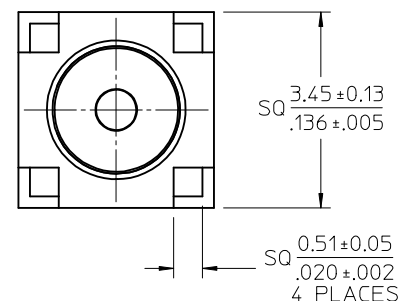
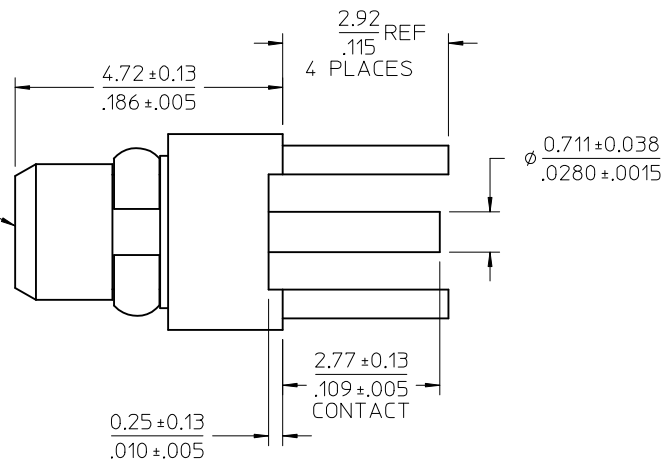
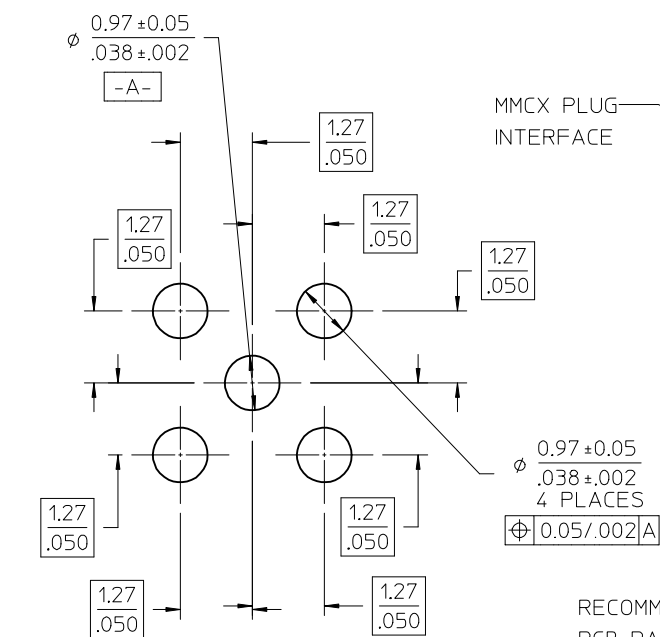
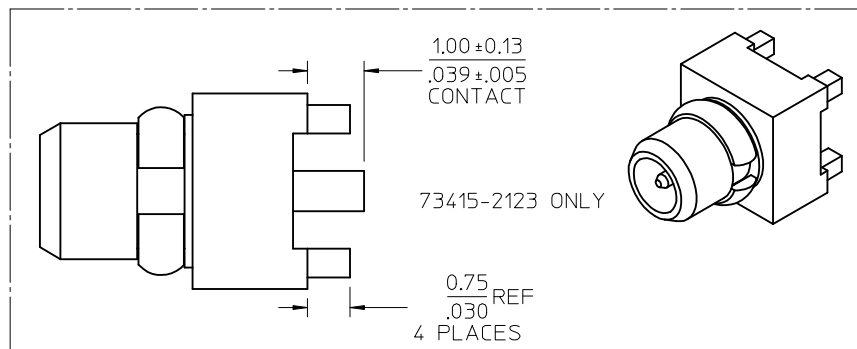
MATERIALS AND FINISHES

BODY BRASS
PLATED GOLD (SEE TABLE)

CENTER CONTACT BRASS
PLATED GOLD (SEE TABLE)

INSULATOR TEFLON

SNAP RING BERYLLIUM COPPER
PLATED GOLD (SEE TABLE)



PS-89675-1920	ELECTRO/MECH PERFORM
CECC 22-340	INTERFACE
SPECIFICATION	DESCRIPTION

73415-2123	COMMERCIAL	TRAY
73415-2122	COMMERCIAL	SINGLE BAG
73415-2121	COMMERCIAL	TRAY
73415-2120	MILITARY	TRAY
PART NO.	PLATING	PACKAGING

CHG: ADDED -2123; ADDED -2123 VIEW; EC NO: URF2014-0547 DRWN: JLEE02 CHKD: SSS APPR: WSP/INK 2014/03/31 2014/03/31 2014/04/08	QUALITY SYMBOLS ▽=0 ▽=0	GENERAL TOLERANCES (UNLESS SPECIFIED)	DIMENSION STYLE MM/IN	SCALE DESIGN UNITS METRIC	THIRD ANGLE PROJECTION
		4 PLACES ± --- ± --- 3 PLACES ± --- ± --- 2 PLACES ± --- ± --- 1 PLACE ± --- ± --- ANGULAR ± 2°	DRAWN BY DATE TEF 2000/06/06 CHECKED BY DATE SSS 2000/06/06 APPROVED BY DATE GMH 2000/06/06	TITLE MMCX PLUG, STR VERT PCB, 50 OHMS EWR-3099, MMCX-P/PCB	MOLEX INCORPORATED
DRAFT WHERE APPLICABLE MUST REMAIN WITHIN DIMENSIONS	MATERIAL NO. SEE TABLE	DOCUMENT NO. SD-73415-212	THIS DRAWING CONTAINS INFORMATION THAT IS PROPRIETARY TO MOLEX INCORPORATED AND SHOULD NOT BE USED WITHOUT WRITTEN PERMISSION		