



Chipsmall Limited consists of a professional team with an average of over 10 year of expertise in the distribution of electronic components. Based in Hongkong, we have already established firm and mutual-benefit business relationships with customers from,Europe,America and south Asia,supplying obsolete and hard-to-find components to meet their specific needs.

With the principle of “Quality Parts,Customers Priority,Honest Operation,and Considerate Service”,our business mainly focus on the distribution of electronic components. Line cards we deal with include Microchip,ALPS,ROHM,Xilinx,Pulse,ON,Everlight and Freescale. Main products comprise IC,Modules,Potentiometer,IC Socket,Relay,Connector.Our parts cover such applications as commercial,industrial, and automotives areas.

We are looking forward to setting up business relationship with you and hope to provide you with the best service and solution. Let us make a better world for our industry!



Contact us

Tel: +86-755-8981 8866 Fax: +86-755-8427 6832

Email & Skype: info@chipsmall.com Web: www.chipsmall.com

Address: A1208, Overseas Decoration Building, #122 Zhenhua RD., Futian, Shenzhen, China



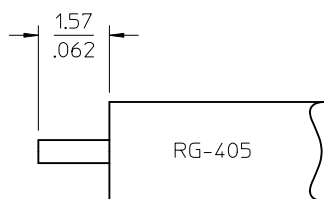
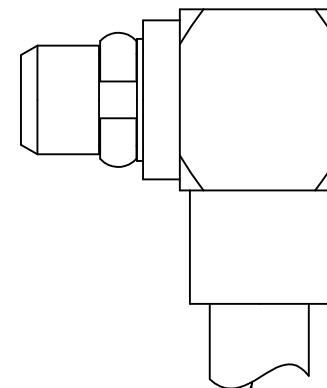
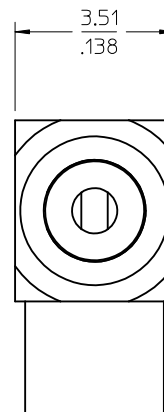
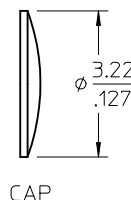
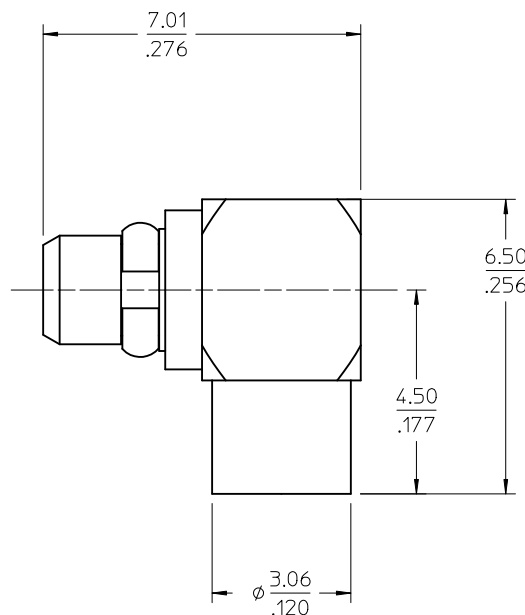
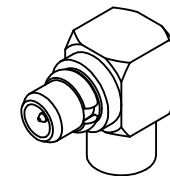
MATERIALS AND FINISHES

BODY, CAP BRASS
PLATED GOLD (SEE TABLE)

CENTER CONTACT BRASS
PLATED GOLD (SEE TABLE)

SNAP RING BERYLLIUM COPPER
PLATED GOLD (SEE TABLE)

INSULATOR TEFLON



RECOMMENDED CABLE STRIP

73415-2162	SINGLE BAG	FLASH	30u"
73415-2161	BULK	FLASH	30u"
73415-2160	BULK	30u'	50u"
PART NO.	PACKAGING	BODY/CAP/RING	CONTACT GOLD
		GOLD	

PS-89675-1920	ELECTRO/MECH PERFORM.
SPECIFICATION	DESCRIPTION

CHG: TABULIATE
GOLD THICKNESS
PS-89675-1920 WAS
PS-89*675-1930
EC NO: URF2010-0549
DRWN: JWIENER 2010/04/07
CHKD: SSS 2010/04/07
APPR: JWIENER 2010/04/08

QUALITY SYMBOLS ▽=0 ▽=0	GENERAL TOLERANCES (UNLESS SPECIFIED)		DIMENSION STYLE MM/IN		SCALE	DESIGN UNITS METRIC	THIRD ANGLE PROJECTION
	mm	INCH	DRAWN BY TEF	DATE 2000/06/15	TITLE MMCX PLUG R/A RG405 50 OHMS MMCX-PC/RA	MOLEX INCORPORATED	SHEET NO. 1 OF 1
4 PLACES ± --- ± ---	3 PLACES ± --- ± ---	CHECKED BY SSS	DATE 2000/06/15	APPROVED BY JWIENER	DATE 2010/04/08		
ANGULAR ± 2 °		DRAFT WHERE APPLICABLE MUST REMAIN WITHIN DIMENSIONS		SIZE C	THIS DRAWING CONTAINS INFORMATION THAT IS PROPRIETARY TO MOLEX INCORPORATED AND SHOULD NOT BE USED WITHOUT WRITTEN PERMISSION		