



Chipsmall Limited consists of a professional team with an average of over 10 year of expertise in the distribution of electronic components. Based in Hongkong, we have already established firm and mutual-benefit business relationships with customers from,Europe,America and south Asia,supplying obsolete and hard-to-find components to meet their specific needs.

With the principle of “Quality Parts,Customers Priority,Honest Operation,and Considerate Service”,our business mainly focus on the distribution of electronic components. Line cards we deal with include Microchip,ALPS,ROHM,Xilinx,Pulse,ON,Everlight and Freescale. Main products comprise IC,Modules,Potentiometer,IC Socket,Relay,Connector.Our parts cover such applications as commercial,industrial, and automotives areas.

We are looking forward to setting up business relationship with you and hope to provide you with the best service and solution. Let us make a better world for our industry!



Contact us

Tel: +86-755-8981 8866 Fax: +86-755-8427 6832

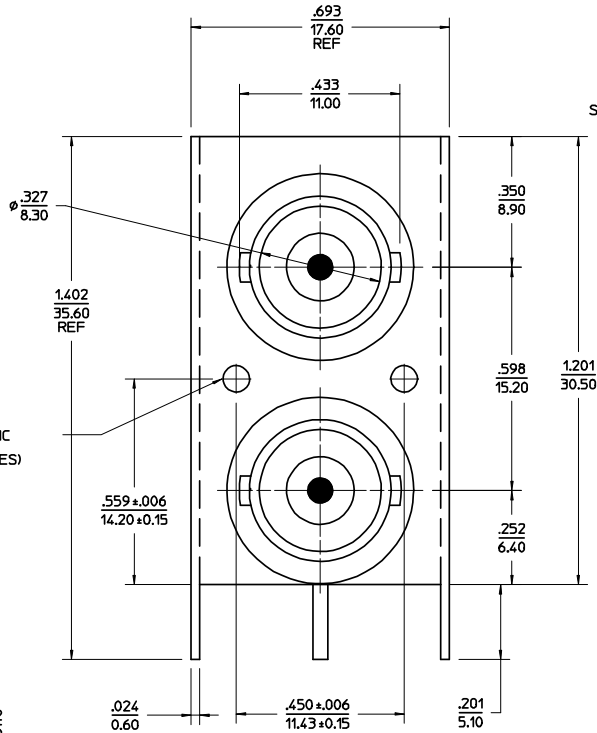
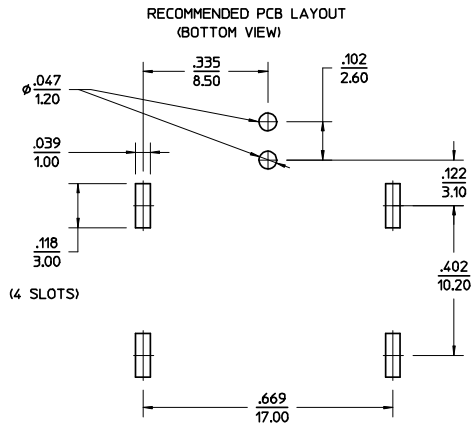
Email & Skype: info@chipsmall.com Web: www.chipsmall.com

Address: A1208, Overseas Decoration Building, #122 Zhenhua RD., Futian, Shenzhen, China

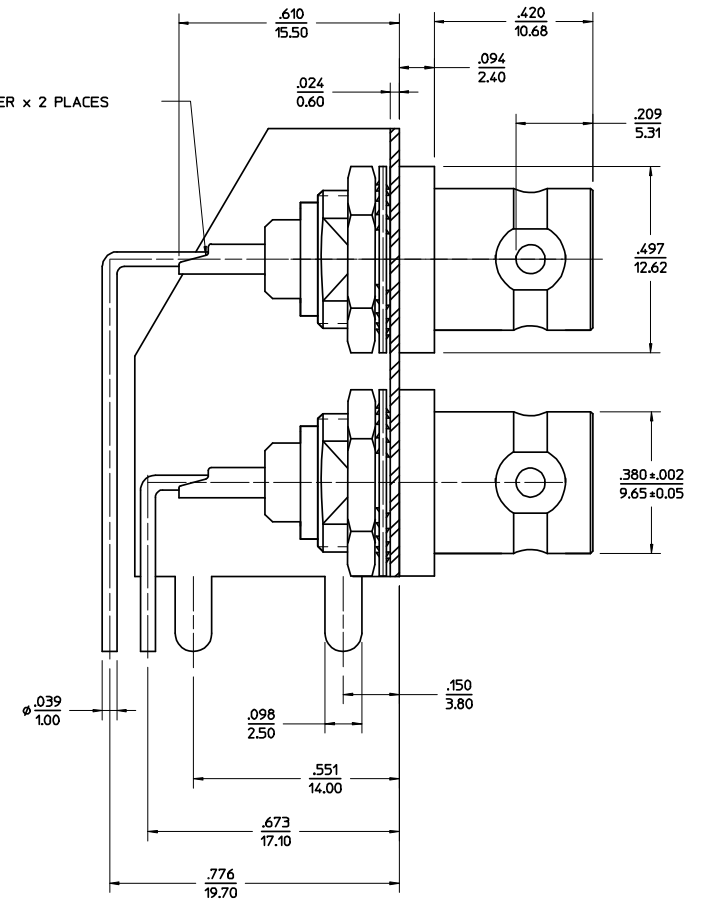


MATERIALS AND FINISHES

- J BODY BRASS
PLATED NICKEL
- I CENTER CONTACT PHOSPHOR BRONZE
PLATED GOLD
- H INSULATOR P.P
- G LOCK WASHER PHOSPHOR BRONZE
PLATED NICKEL
- F NUT BRASS
PLATED NICKEL
- E BRACKET SPCC
PLATED NICKEL
- D GROUNDING COPPER OVER STEEL WIRE
PLATED TIN



SOLDER x 2 PLACES



PART #: 73415-2980
PACKAGING: TRAYS

PART#: 73415-2981
PACKAGING: 1 PC 73415-2980 PER BAG

CHG: $\phi 12.62$ WAS
 $\phi 12.70$.

EC NO: URF2009-0015
DRAWN: ARBERTSON 2008/07/10
CHKD: SSS 2008/07/10
APPR: JMLENER 2008/07/10

REV	DESCRIPTION
E3	

QUALITY SYMBOLS	GENERAL TOLERANCES (UNLESS SPECIFIED)
$\nabla=0$	mm INCH
$\nabla=0$	4 PLACES ± --- ± ---
	3 PLACES ± --- ± ---
	2 PLACES ± --- ± ---
	1 PLACE ± --- ± ---
	ANGULAR ± 1/2°

DIMENSION STYLE		SCALE	DESIGN UNITS	THIRD ANGLE PROJECTION
IN/MM	---	---	INCH	
DRAWN BY	DATE	TITLE		
CLAIRE LI	2001/04/16	BNC JACK, 50 OHM DUAL STACK BNC-J/PCB		
CHECKED BY	DATE	APPROVED BY DATE		
		2001/03/14		
MATERIAL NO.		DOCUMENT NO.		SHEET NO.
SEE TABLE		SD-73415-298		1 OF 1
SIZE	THIS DRAWING CONTAINS INFORMATION THAT IS PROPRIETARY TO MOLEX INCORPORATED AND SHOULD NOT BE USED WITHOUT WRITTEN PERMISSION			

DRAWN BY		DATE	TITLE	
CLAIRE LI		2001/04/16	BNC JACK, 50 OHM DUAL STACK BNC-J/PCB	
CHECKED BY		DATE	APPROVED BY DATE	
			2001/03/14	
MATERIAL NO.		DOCUMENT NO.		SHEET NO.
SEE TABLE		SD-73415-298		1 OF 1
SIZE	THIS DRAWING CONTAINS INFORMATION THAT IS PROPRIETARY TO MOLEX INCORPORATED AND SHOULD NOT BE USED WITHOUT WRITTEN PERMISSION			