



Chipsmall Limited consists of a professional team with an average of over 10 year of expertise in the distribution of electronic components. Based in Hongkong, we have already established firm and mutual-benefit business relationships with customers from,Europe,America and south Asia,supplying obsolete and hard-to-find components to meet their specific needs.

With the principle of “Quality Parts,Customers Priority,Honest Operation,and Considerate Service”,our business mainly focus on the distribution of electronic components. Line cards we deal with include Microchip,ALPS,ROHM,Xilinx,Pulse,ON,Everlight and Freescale. Main products comprise IC,Modules,Potentiometer,IC Socket,Relay,Connector.Our parts cover such applications as commercial,industrial, and automotives areas.

We are looking forward to setting up business relationship with you and hope to provide you with the best service and solution. Let us make a better world for our industry!



Contact us

Tel: +86-755-8981 8866 Fax: +86-755-8427 6832

Email & Skype: info@chipsmall.com Web: www.chipsmall.com

Address: A1208, Overseas Decoration Building, #122 Zhenhua RD., Futian, Shenzhen, China

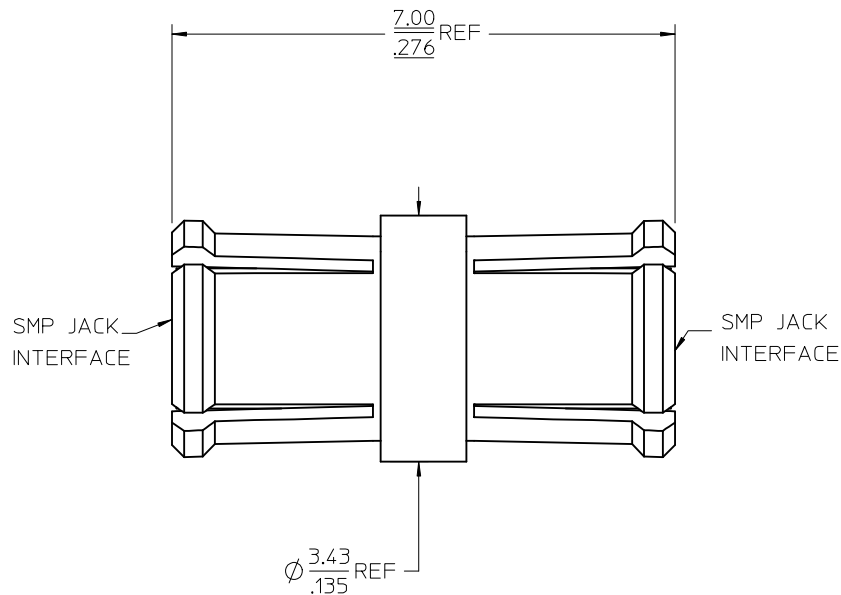
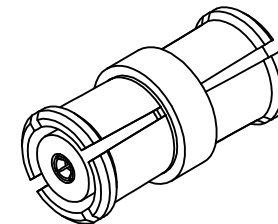


MATERIALS AND FINISHES

BODY BERYLLIUM COPPER
PLATED GOLD

CENTER CONTACT BERYLLIUM COPPER
PLATED GOLD

INSULATOR TEFLON



MIL-STD-348A, FIG. 326.1	INTERFACE
SPECIFICATION	DESCRIPTION

73415-3022	PLACE 73415-3020 INTO SMALL TRAY 897077-0308
73415-3021	PLACE 73415-3020 ONE PER BAG
73415-3020	BULK PACK
PART NO.	DESCRIPTION

CHG: ADDED 73415-3021 & -3022 EC NO: URF2009-0353 DRW:CLL 2009/01/05 CHKD: 2009/01/06 APPR:MHUANG 2009/01/06 REV:	QUALITY SYMBOLS ▼=0 ▽=0	GENERAL TOLERANCES (UNLESS SPECIFIED) <table border="1"> <tr> <th></th> <th>mm</th> <th>INCH</th> </tr> <tr> <td>4 PLACES</td> <td>± .005</td> <td>± .0004</td> </tr> <tr> <td>3 PLACES</td> <td>± .008</td> <td>± .0003</td> </tr> <tr> <td>2 PLACES</td> <td>± .010</td> <td>± .0002</td> </tr> <tr> <td>1 PLACE</td> <td>± .015</td> <td>± .0001</td> </tr> </table> ANGULAR ± 2 °		mm	INCH	4 PLACES	± .005	± .0004	3 PLACES	± .008	± .0003	2 PLACES	± .010	± .0002	1 PLACE	± .015	± .0001	DIMENSION STYLE MM/IN	SCALE DESIGN UNITS METRIC	THIRD ANGLE PROJECTION
		mm	INCH																	
	4 PLACES	± .005	± .0004																	
	3 PLACES	± .008	± .0003																	
2 PLACES	± .010	± .0002																		
1 PLACE	± .015	± .0001																		
DRAWN BY: SSS DATE: 03/01/28 CHECKED BY: TEF DATE: 03/01/28 APPROVED BY: GMH DATE: 03/01/28		TITLE SMP JACK ADAPTER SMP-J/J/ADP		MOLEX INCORPORATED																
DRAFT WHERE APPLICABLE MUST REMAIN WITHIN DIMENSIONS		SEE TABLE		DOCUMENT NO. SD-73415-302																
A1		THIS DRAWING CONTAINS INFORMATION THAT IS PROPRIETARY TO MOLEX INCORPORATED AND SHOULD NOT BE USED WITHOUT WRITTEN PERMISSION		SHEET NO. 1 OF 1																