



Chipsmall Limited consists of a professional team with an average of over 10 year of expertise in the distribution of electronic components. Based in Hongkong, we have already established firm and mutual-benefit business relationships with customers from,Europe,America and south Asia,supplying obsolete and hard-to-find components to meet their specific needs.

With the principle of “Quality Parts,Customers Priority,Honest Operation,and Considerate Service”,our business mainly focus on the distribution of electronic components. Line cards we deal with include Microchip,ALPS,ROHM,Xilinx,Pulse,ON,Everlight and Freescale. Main products comprise IC,Modules,Potentiometer,IC Socket,Relay,Connector.Our parts cover such applications as commercial,industrial, and automotives areas.

We are looking forward to setting up business relationship with you and hope to provide you with the best service and solution. Let us make a better world for our industry!



Contact us

Tel: +86-755-8981 8866 Fax: +86-755-8427 6832

Email & Skype: info@chipsmall.com Web: www.chipsmall.com

Address: A1208, Overseas Decoration Building, #122 Zhenhua RD., Futian, Shenzhen, China



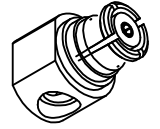
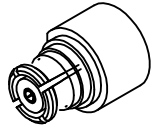
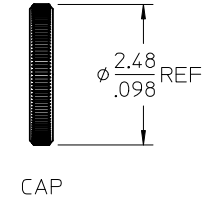
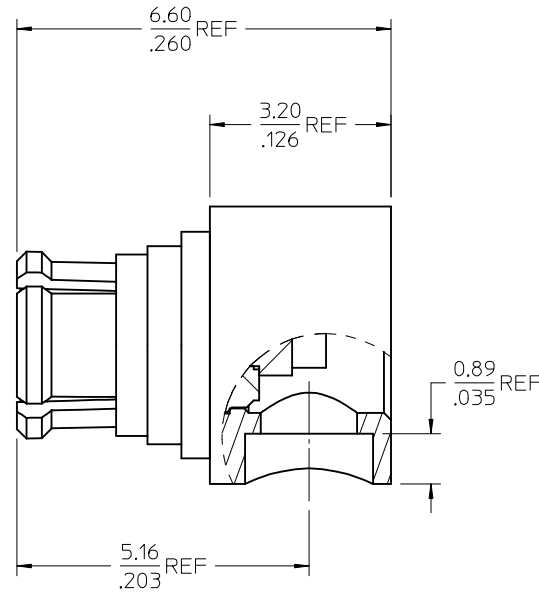
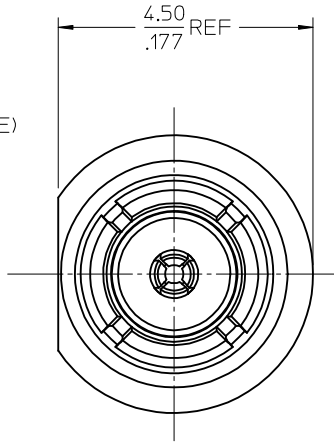
MATERIALS AND FINISHES

BODY, CONTACT: BERYLLIUM COPPER
PLATED GOLD/NICKEL (SEE TABLE)

INSULATOR: PTFE

EMI RING, CAP: BRASS
PLATED GOLD/NICKEL (SEE TABLE)

VSWR 1.25 MAX 0 - 18 GHz



| | |
|--------------------------|-----------------------|
| AS-89675-460 | ASSEMBLY INSTRUCTIONS |
| PS-89675-3320 | PRODUCT SPECIFICATION |
| MIL-STD-348A, FIG. 326.1 | INTERFACE |
| SPECIFICATION | DESCRIPTION |

| | | | | |
|------------|--|--------------------|--------------------|--------------------|
| 73415-3035 | MOLEX INTERNAL USE ONLY NOT AVAILABLE | N/A | N/A | N/A |
| 73415-3034 | TRAY PACK | 30μ-in/100μ-in MIN | 30μ-in/100μ-in MIN | 30μ-in/100μ-in MIN |
| 73415-3033 | TRAY PACK | 8μ-in/80μ-in MIN | 8μ-in/80μ-in MIN | 8μ-in/80μ-in MIN |
| 73415-3032 | PLACE 73415-3030 INTO SMALL TRAY | 30μ-in/100μ-in MIN | 50μ-in/100μ-in MIN | 30μ-in/100μ-in MIN |
| 73415-3031 | 1 COMPLETE ASSEMBLY 73415-3030 PER BAG | 30μ-in/100μ-in MIN | 50μ-in/100μ-in MIN | 30μ-in/100μ-in MIN |
| 73415-3030 | TRAY PACK | 30μ-in/100μ-in MIN | 50μ-in/100μ-in MIN | 30μ-in/100μ-in MIN |
| PART NO. | PACKAGING | GOLD/NICKEL | GOLD/NICKEL | GOLD/NICKEL |
| | | BODY | CONTACT | CAP |

| | | | | | |
|--|-----------------|--|---|---|---|
| CHG: ADDED PLATING SPEC., VSWR AND PS. DELETED CABLE CUT VIEW EC NO: URF2016-0818 DRWINBSHAH 2016/06/01 CHKD:SSS 2016/06/01 APPR:AROBERTSON 2016/06/06 DESCRIPTION REV: B1 | QUALITY SYMBOLS | GENERAL TOLERANCES (UNLESS SPECIFIED) 4 PLACES ± --- ± --- 3 PLACES ± --- ± 0.005 2 PLACES ± 0.13 ± 0.010 1 PLACE ± 0.25 ± --- 0 PLACE ± ± ANGULAR ± 2 ° DRAFT WHERE APPLICABLE MUST REMAIN WITHIN DIMENSIONS | DIMENSION STYLE MM/IN DRAWN BY DATE SSS 2001/03/29 CHECKED BY DATE TEF 2001/03/29 APPROVED BY DATE GMH 2001/03/29 MATERIAL NO. SEE TABLE SIZE C THIS DRAWING CONTAINS INFORMATION THAT IS PROPRIETARY TO MOLEX INCORPORATED AND SHOULD NOT BE USED WITHOUT WRITTEN PERMISSION | SCALE 15:1 DESIGN UNITS METRIC THIRD ANGLE PROJECTION | TITLE SMP JACK, R/A FOR 086 CABLE, 50 OHM SMP-JC molex DOCUMENT NO. SD-73415-303 SHEET NO. 1 OF 1 |
|--|-----------------|--|---|---|---|