



Chipsmall Limited consists of a professional team with an average of over 10 year of expertise in the distribution of electronic components. Based in Hongkong, we have already established firm and mutual-benefit business relationships with customers from,Europe,America and south Asia,supplying obsolete and hard-to-find components to meet their specific needs.

With the principle of "Quality Parts,Customers Priority,Honest Operation,and Considerate Service",our business mainly focus on the distribution of electronic components. Line cards we deal with include Microchip,ALPS,ROHM,Xilinx,Pulse,ON,Everlight and Freescale. Main products comprise IC,Modules,Potentiometer,IC Socket,Relay,Connector.Our parts cover such applications as commercial,industrial, and automotives areas.

We are looking forward to setting up business relationship with you and hope to provide you with the best service and solution. Let us make a better world for our industry!



Contact us

Tel: +86-755-8981 8866 Fax: +86-755-8427 6832

Email & Skype: info@chipsmall.com Web: www.chipsmall.com

Address: A1208, Overseas Decoration Building, #122 Zhenhua RD., Futian, Shenzhen, China

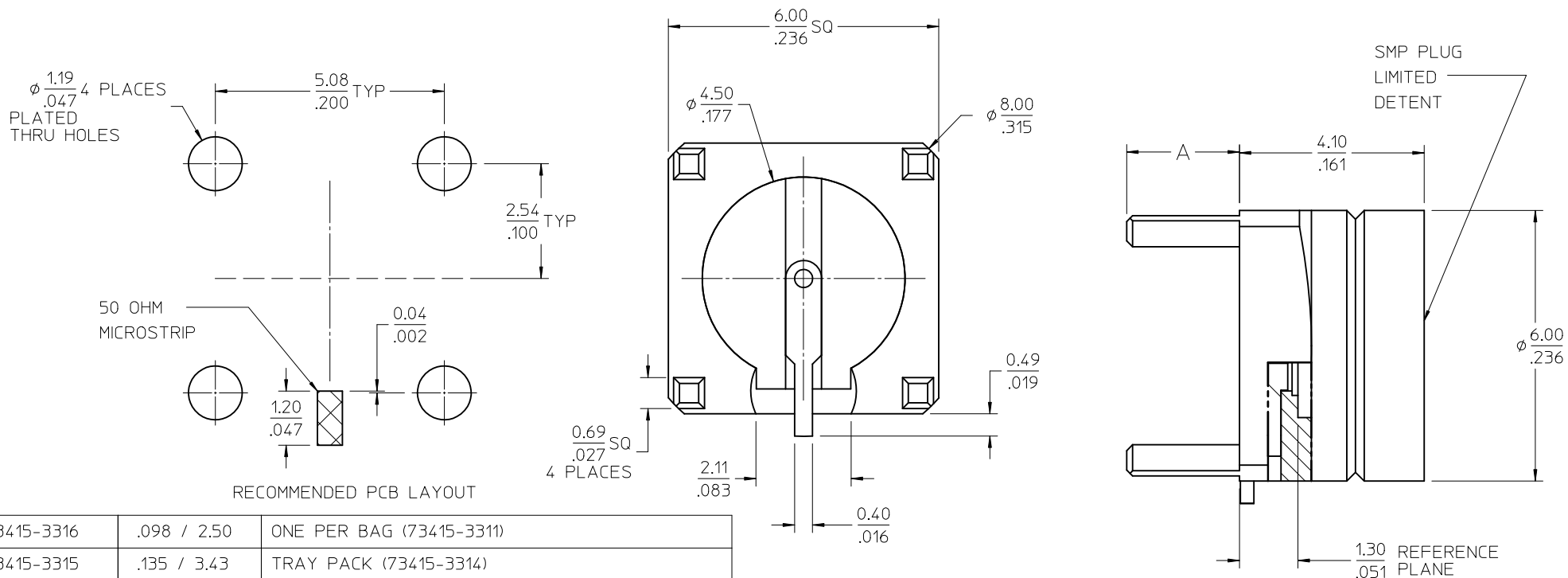


MATERIALS AND FINISHES:

BODY, CENTER CONTACT: BRASS
FINISH: GOLD

INSULATOR: PEEK OR LCP

TAPE AND REEL: SEE SHEET 2



73415-3316	.098 / 2.50	ONE PER BAG (73415-3311)
73415-3315	.135 / 3.43	TRAY PACK (73415-3314)
73415-3314	.135 / 3.43	TAPE AND REEL (750 PARTS PER REEL)
73415-3313	.067 / 1.70	TRAY PACK (73415-3312)
73415-3312	.067 / 1.70	TAPE AND REEL (750 PARTS PER REEL)
73415-3311	.098 / 2.50	TRAY PACK (73415-3310)
73415-3310	.098 / 2.50	TAPE AND REEL (750 PARTS PER REEL)
PART NO.	IN / MM	PACKAGING
	DIM A	

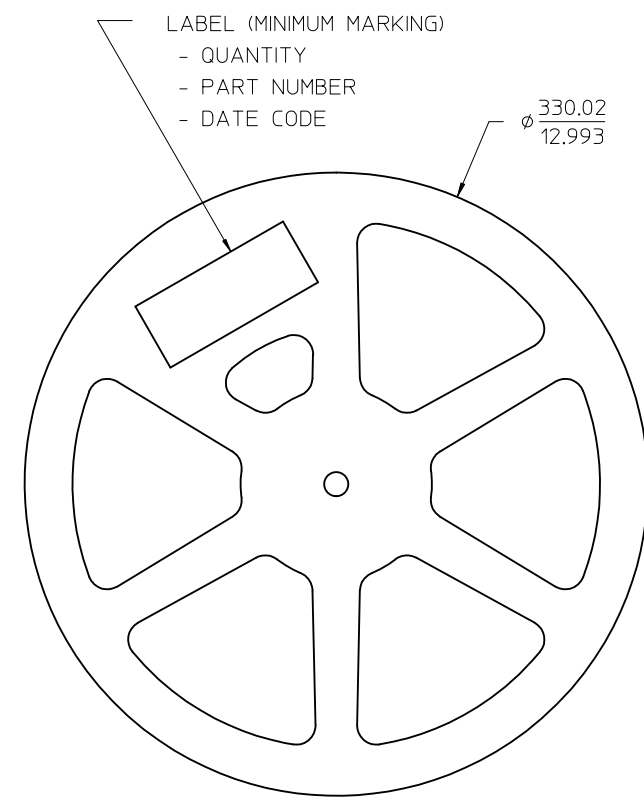
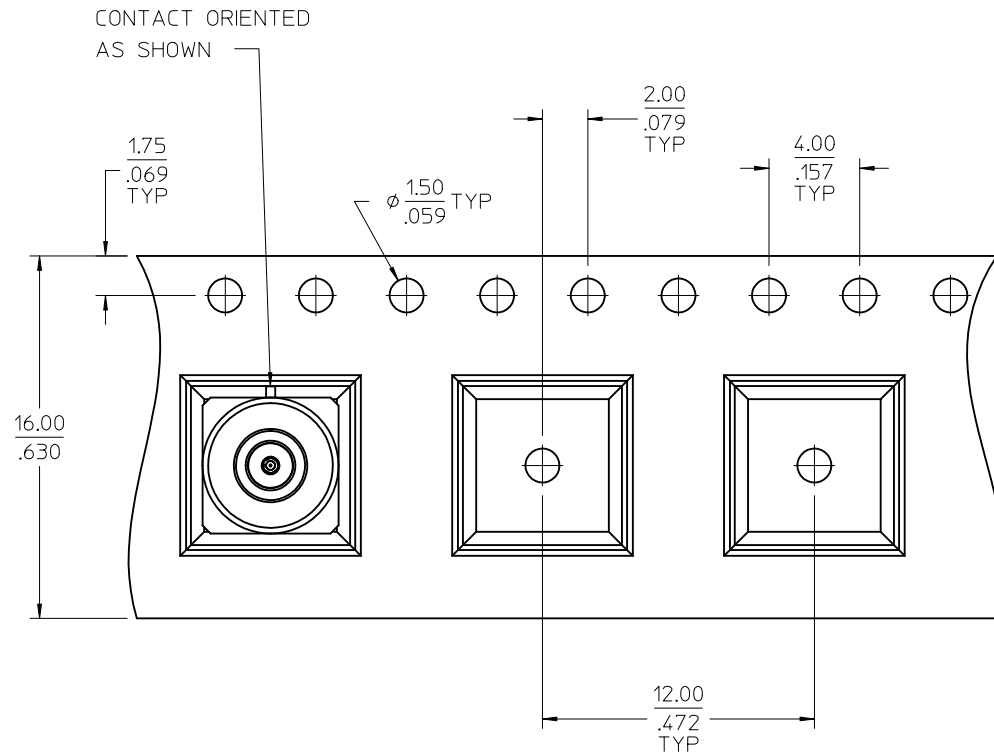
PS-89675-3320		PRODUCT SPECIFICATION	
SPECIFICATION		DESCRIPTION	
GENERAL TOLERANCES (UNLESS SPECIFIED)		DIMENSION STYLE	SCALE
		MM/IN	DESIGN UNITS
			METRIC
			THIRD ANGLE PROJECTION
QUALITY SYMBOLS		DRAWN BY	DATE
▽=0		JLEE02	2010/11/01
▽=0		CHECKED BY	DATE
		SSS	2010/11/05
		APPROVED BY	DATE
		JWIENER	2010/11/11
ANGULAR ± 2°		MATERIAL NO.	DOCUMENT NO.
DRAFT WHERE APPLICABLE MUST REMAIN WITHIN DIMENSIONS		SEE TABLE	SD-73415-331
		SIZE	SHEET NO.
		C	1 OF 2
THIS DRAWING CONTAINS INFORMATION THAT IS PROPRIETARY TO MOLEX INCORPORATED AND SHOULD NOT BE USED WITHOUT WRITTEN PERMISSION			

CHG: ADD -3316

EC NO: URF2012-0435
 DRAWN: JWIENER 2012/01/27
 CHKD: SSS 2012/01/27
 APPR: JWIENER 2012/01/31

DESCRIPTION

C7



CHG: SEE SHEET 1 EC NO: URF2012-0435 DRWN: JWIENER 2012/01/27 CHKD: SSS 2012/01/27 APPR: JWIENER 2012/01/31	QUALITY SYMBOLS $\blacktriangledown = 0$ $\triangle = 0$	GENERAL TOLERANCES (UNLESS SPECIFIED)		DIMENSION STYLE	SCALE	DESIGN UNITS	THIRD ANGLE PROJECTION	
				MM/IN	1:2	METRIC		
				TITLE	SMP PLUG STRAIGHT PCB LIMITED DETENT, EWR-1359 SMP-P/PCB			
				MOLEX INCORPORATED		DOCUMENT NO.		SHEET NO.
REV C7	DESCRIPTION	DRAFT WHERE APPLICABLE MUST REMAIN WITHIN DIMENSIONS		SEE SHEET 1	SD-73415-331		2 OF 2	
		ANGULAR $\pm 2^\circ$		MATERIAL NO.		THIS DRAWING CONTAINS INFORMATION THAT IS PROPRIETARY TO MOLEX INCORPORATED AND SHOULD NOT BE USED WITHOUT WRITTEN PERMISSION		