



Chipsmall Limited consists of a professional team with an average of over 10 year of expertise in the distribution of electronic components. Based in Hongkong, we have already established firm and mutual-benefit business relationships with customers from,Europe,America and south Asia,supplying obsolete and hard-to-find components to meet their specific needs.

With the principle of “Quality Parts,Customers Priority,Honest Operation,and Considerate Service”,our business mainly focus on the distribution of electronic components. Line cards we deal with include Microchip,ALPS,ROHM,Xilinx,Pulse,ON,Everlight and Freescale. Main products comprise IC,Modules,Potentiometer,IC Socket,Relay,Connector.Our parts cover such applications as commercial,industrial, and automotives areas.

We are looking forward to setting up business relationship with you and hope to provide you with the best service and solution. Let us make a better world for our industry!



Contact us

Tel: +86-755-8981 8866 Fax: +86-755-8427 6832

Email & Skype: info@chipsmall.com Web: www.chipsmall.com

Address: A1208, Overseas Decoration Building, #122 Zhenhua RD., Futian, Shenzhen, China



MATERIALS AND FINISHES:

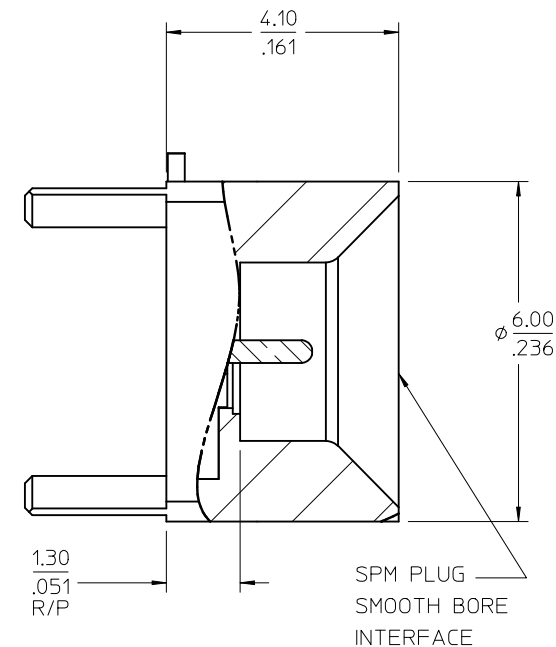
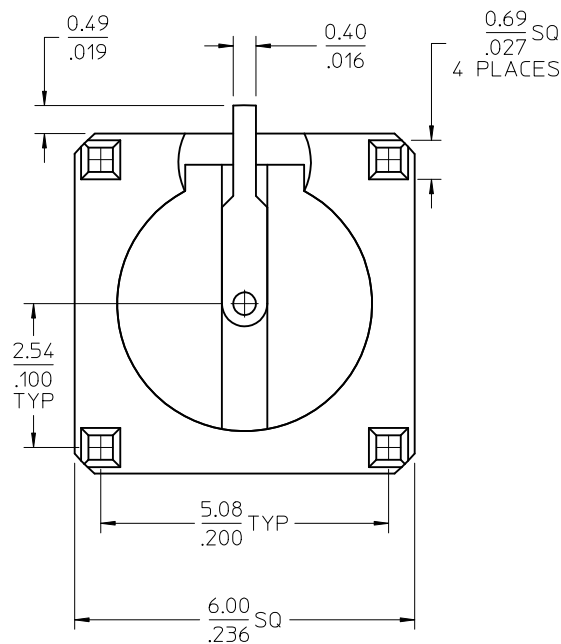
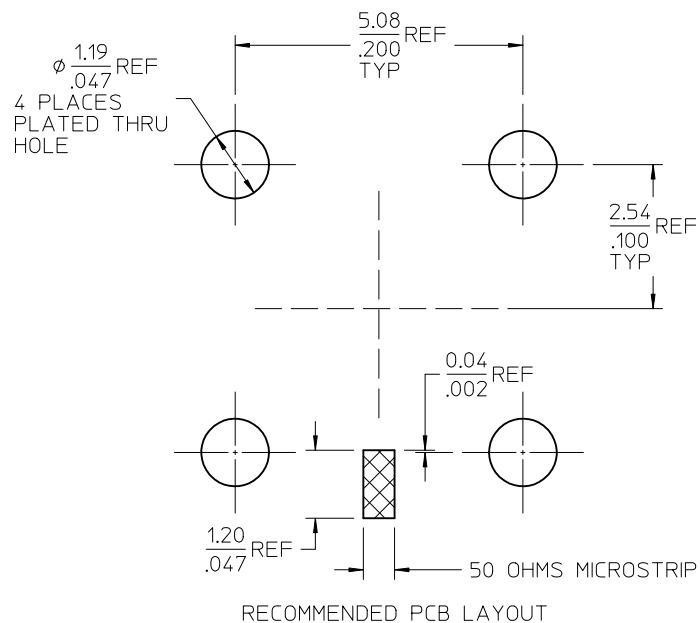
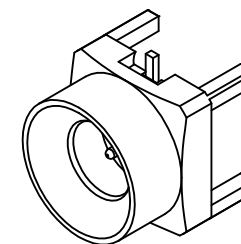
BODY BRASS
PLATED GOLD

CONTACT BRASS
PLATED GOLD

INSULATOR: PEEK OR LCP

TAPE: SEE SHEET 2

REEL: SEE SHEET 3



73415-3322	SINGLE PIECE PER BAG
73415-3321	TAPE & REEL WITH KAPTON TAPE
73415-3320	TAPE & REEL
PART NO.	DESCRIPTION

CHG: UPDATE PCB LAYOUT	EC NO: URF2011-0274	2010/11/11
DRWN: JWIENER	2010/11/11	
CHKD: SSS	2010/11/11	
APPR: JWIENER	2010/11/11	

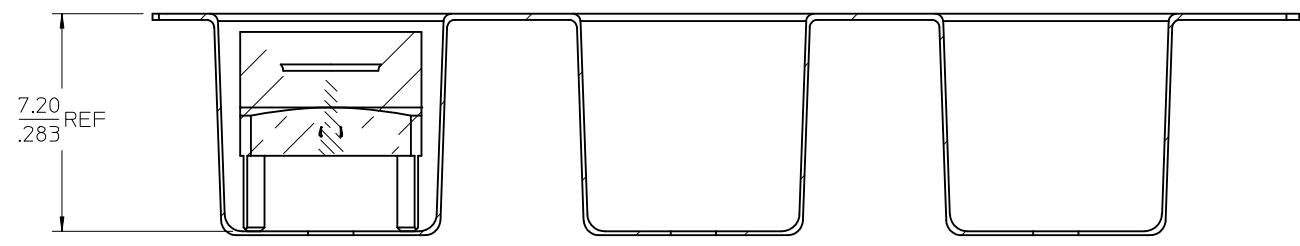
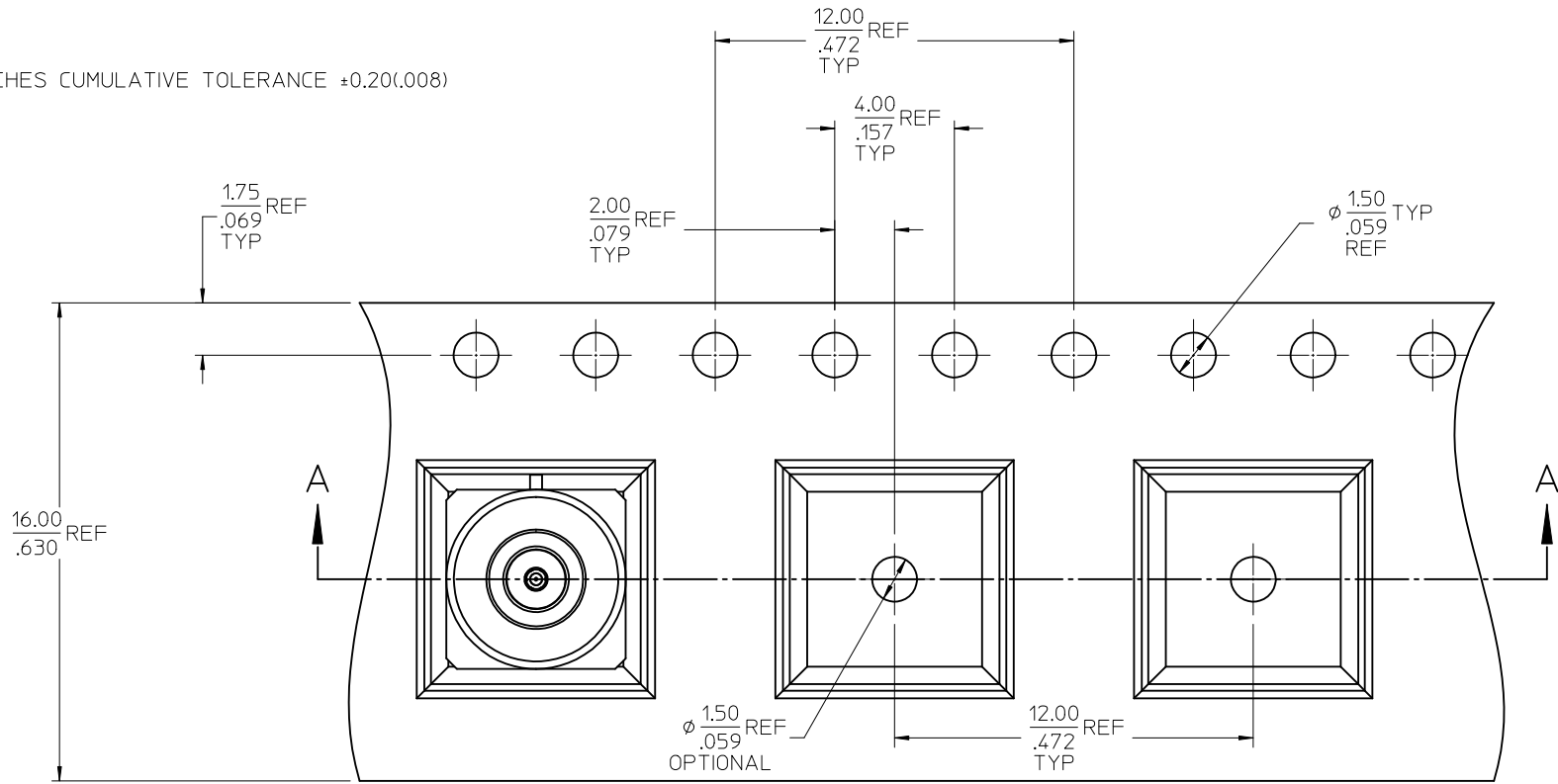
QUALITY SYMBOLS	GENERAL TOLERANCES (UNLESS SPECIFIED)
$\nabla=0$	mm INCH
$\nabla=0$	4 PLACES \pm --- \pm ---
	3 PLACES \pm --- \pm ---
	2 PLACES \pm --- \pm ---
	1 PLACE \pm --- \pm ---
	ANGULAR $\pm 2^\circ$
	DRAFT WHERE APPLICABLE MUST REMAIN WITHIN DIMENSIONS

DIMENSION STYLE	SCALE	DESIGN UNITS	THIRD ANGLE PROJECTION
MM/IN		METRIC	
DRAWN BY	DATE	TITLE	
TEF	2001/05/21	SMP PLUG, STRAIGHT PCB SMOOTH BORE SMP-P/PCB EWR-1349	
CHECKED BY	DATE		
SSS	2001/05/21		
APPROVED BY	DATE		
JWIENER	2010/11/11		
MATERIAL NO.	DOCUMENT NO.		
SEE TABLE	SD-73415-332		
SIZE			
C			

THIS DRAWING CONTAINS INFORMATION THAT IS PROPRIETARY TO MOLEX INCORPORATED AND SHOULD NOT BE USED WITHOUT WRITTEN PERMISSION

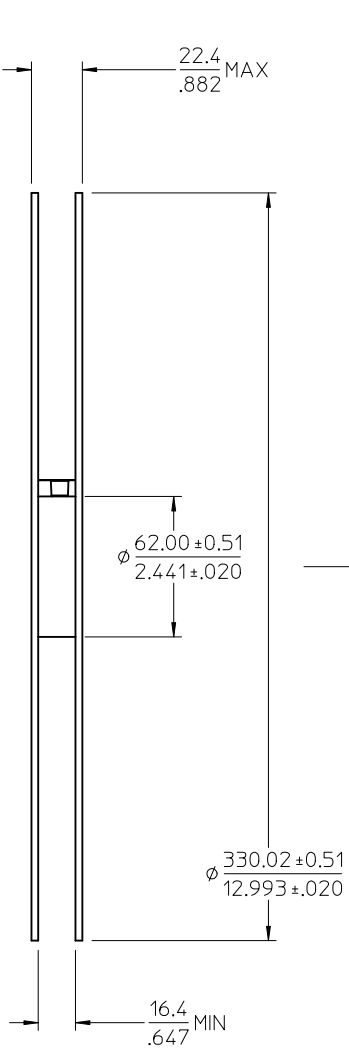
MOLEX	MOLEX INCORPORATED	SHEET NO. 1 OF 3
-------	--------------------	------------------

NOTE:
1. 10 PITCHES CUMULATIVE TOLERANCE ±0.20(.008)

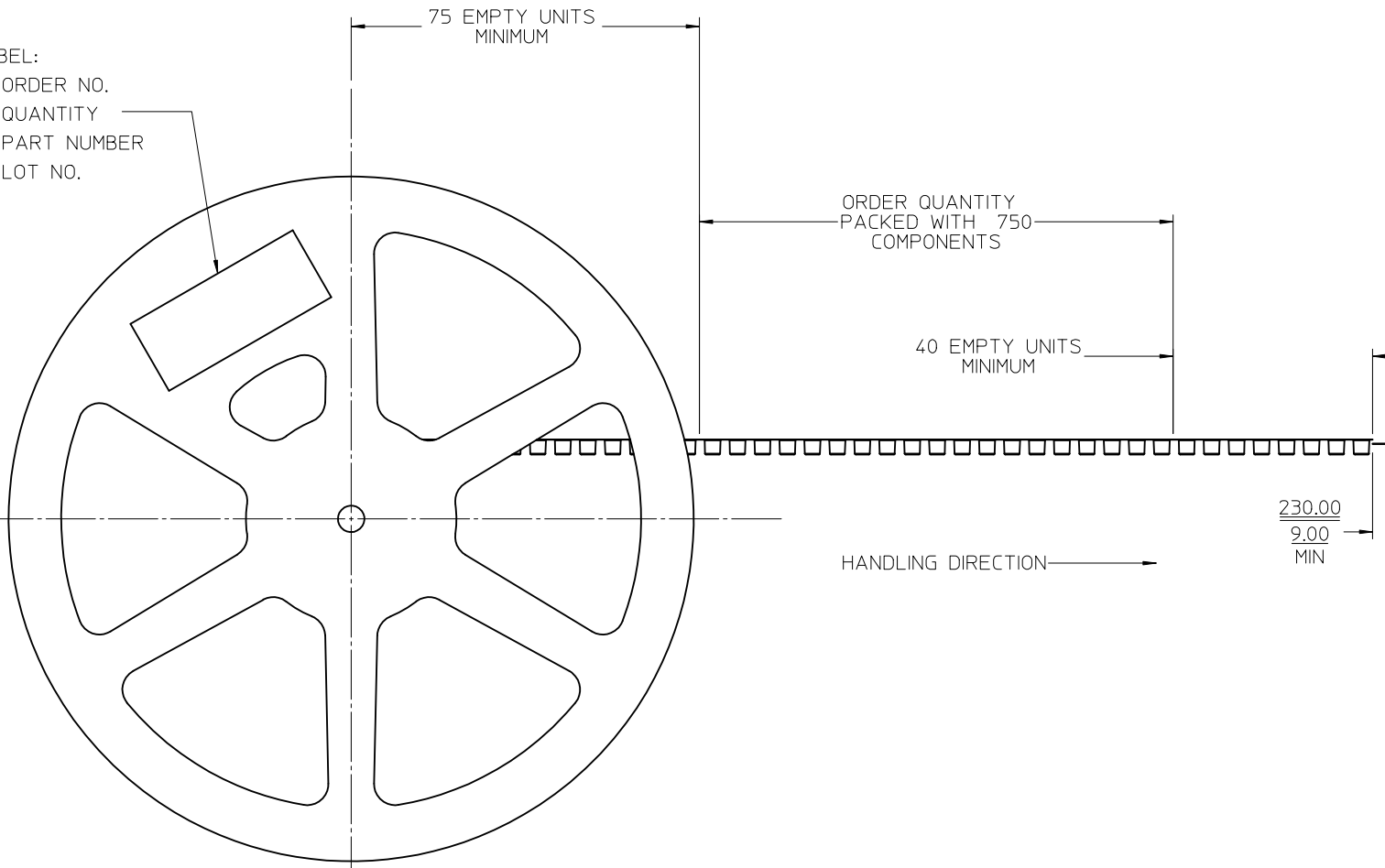


SECTION A-A

CHG: SEE SHEET 1 EC NO: URF2011-0274 DRWN: JWIENER 2010/11/11 CHKD: SSS 2010/11/11 APPR: JWIENER 2010/11/11	QUALITY SYMBOLS ▽=0 ▽=0	GENERAL TOLERANCES (UNLESS SPECIFIED)		DIMENSION STYLE MM/IN	SCALE	DESIGN UNITS METRIC	THIRD ANGLE PROJECTION		
		4 PLACES ± --- ± --- 3 PLACES ± --- ± --- 2 PLACES ± --- ± --- 1 PLACE ± --- ± ---	mm INCH ± --- ± --- ± --- ± --- ± --- ± --- ± --- ± ---	DRAWN BY TEF	DATE 2001/05/21	TITLE SMP PLUG, STRAIGHT PCB SMOOTH BORE SMP-P/PCB EWR-1349	APPROVED BY JWIENER	DATE 2010/11/11	MOLEX INCORPORATED
		ANGULAR ± 2 °		MATERIAL NO. SEE TABLE	DOCUMENT NO. SD-73415-332	SHEET NO. 2 OF 3			
		DRAFT WHERE APPLICABLE MUST REMAIN WITHIN DIMENSIONS							THIS DRAWING CONTAINS INFORMATION THAT IS PROPRIETARY TO MOLEX INCORPORATED AND SHOULD NOT BE USED WITHOUT WRITTEN PERMISSION



LABEL:
 - ORDER NO.
 - QUANTITY
 - PART NUMBER
 - LOT NO.



CHG: SEE SHEET 1	2010/11/11	
EC NO: URF2011-0274	2010/11/11	
DRWN: JWIENER	2010/11/11	
CHKD: SSS	2010/11/11	
APPR: JWIENER	2010/11/11	
REV	DESCRIPTION	
5		

QUALITY SYMBOLS
◀=0
▽=0

GENERAL TOLERANCES (UNLESS SPECIFIED)	
mm	INCH
4 PLACES ± ---	± ---
3 PLACES ± ---	± ---
2 PLACES ± ---	± ---
1 PLACE ± ---	± ---
ANGULAR ± 2 °	
DRAFT WHERE APPLICABLE MUST REMAIN WITHIN DIMENSIONS	

DIMENSION STYLE		MM/IN
DRAWN BY	DATE	TITLE
TEF	2001/05/21	SMP PLUG, STRAIGHT PCB SMOOTH BORE SMP-P/PCB EWR-1349
CHECKED BY	DATE	
SSS	2001/05/21	MOLEX INCORPORATED
APPROVED BY	DATE	
JWIENER	2010/11/11	
MATERIAL NO.	DOCUMENT NO.	SHEET NO.
SEE TABLE	SD-73415-332	3 OF 3

SCALE	DESIGN UNITS	THIRD ANGLE PROJECTION
	METRIC	

HANDLING DIRECTION →