



Chipsmall Limited consists of a professional team with an average of over 10 year of expertise in the distribution of electronic components. Based in Hongkong, we have already established firm and mutual-benefit business relationships with customers from,Europe,America and south Asia,supplying obsolete and hard-to-find components to meet their specific needs.

With the principle of “Quality Parts,Customers Priority,Honest Operation,and Considerate Service”,our business mainly focus on the distribution of electronic components. Line cards we deal with include Microchip,ALPS,ROHM,Xilinx,Pulse,ON,Everlight and Freescale. Main products comprise IC,Modules,Potentiometer,IC Socket,Relay,Connector.Our parts cover such applications as commercial,industrial, and automotives areas.

We are looking forward to setting up business relationship with you and hope to provide you with the best service and solution. Let us make a better world for our industry!



Contact us

Tel: +86-755-8981 8866 Fax: +86-755-8427 6832

Email & Skype: info@chipsmall.com Web: www.chipsmall.com

Address: A1208, Overseas Decoration Building, #122 Zhenhua RD., Futian, Shenzhen, China

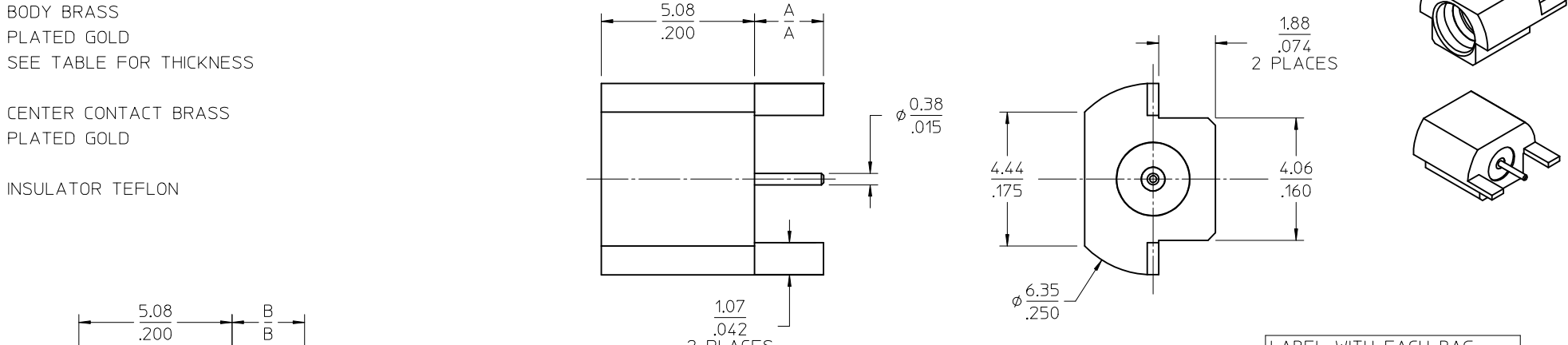


MATERIALS AND FINISHES

BODY BRASS
 PLATED GOLD
 SEE TABLE FOR THICKNESS

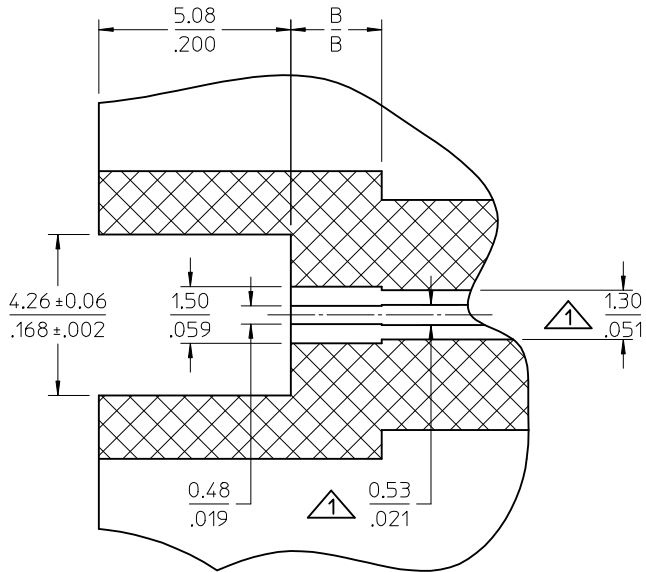
CENTER CONTACT BRASS
 PLATED GOLD

INSULATOR TEFLON



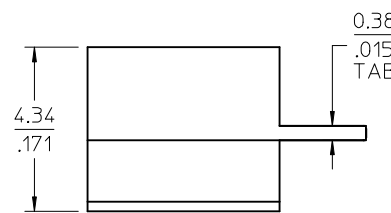
LABEL WITH EACH BAG
 FOR 73415-3595

PART NUMBER: 73415-3591
 ORDER NUMBER: 73415-3595
 MOLEX
 DATE: YYWW



RECOMMENDED PCB LAYOUT

△ DIMENSIONS APPLICABLE FOR ROGERS 4350
 PCB MATERIAL ONLY



73415-3596	73415-3591 1000 PCS PER REEL (TAPE & REEL PACK)
73415-3595	73415-3591 ONE PIECE PER BAG WITH LABEL
73415-3593	73415-3591 20 PCS PER SMALL TRAY 89707-0308
73415-3592	73415-3590 20 PCS PER SMALL TRAY 89707-0308
73415-3591	73415-3591 80 PCS PER SMALL TRAY 89707-0190
73415-3590	73415-3590 80 PCS PER SMALL TRAY 89707-0190
PART NO.	PACKAGING

73415-3594	.090 REF	2.29 REF	.095	2.41	30u" GOLD
73415-3591	.050 REF	1.27 REF	.055	1.40	10u" GOLD
73415-3590	.090 REF	2.29 REF	.095	2.41	10u" GOLD
PART NO.	IN	MM	IN	MM	BODY PLATING
DIM A			DIM B		

PS-89675-3320	PRODUCT SPECIFICATION
MIL-STD-348A, FIG. 326-3	INTERFACE
SPECIFICATION	DESCRIPTION

CHG: ADDED -3596 & PACKAGING PER PDR12091181

EC NO: URF2014-0195 2012/09/27

DRWNR: YEH

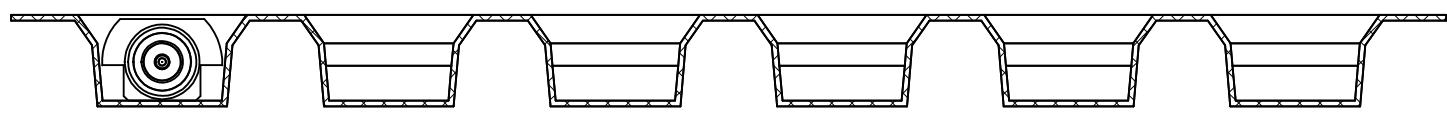
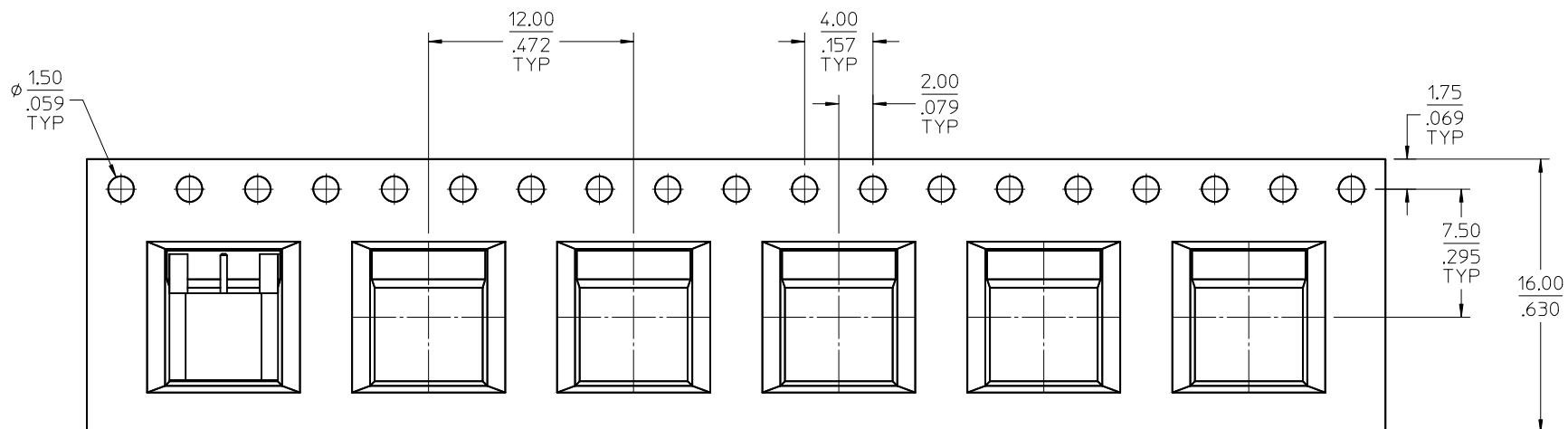
CHKD: APPR: MHIUANG 2013/10/07

DESCRIPTION

REV: A8

QUALITY SYMBOLS	GENERAL TOLERANCES (UNLESS SPECIFIED)
▽=0	mm INCH
▽=0	4 PLACES ± --- ± ---
▽=0	3 PLACES ± --- ± ---
▽=0	2 PLACES ± --- ± ---
▽=0	1 PLACE ± --- ± ---
▽=0	0 PLACE ± ±
	ANGULAR ± 2 °
	DRAFT WHERE APPLICABLE MUST REMAIN WITHIN DIMENSIONS

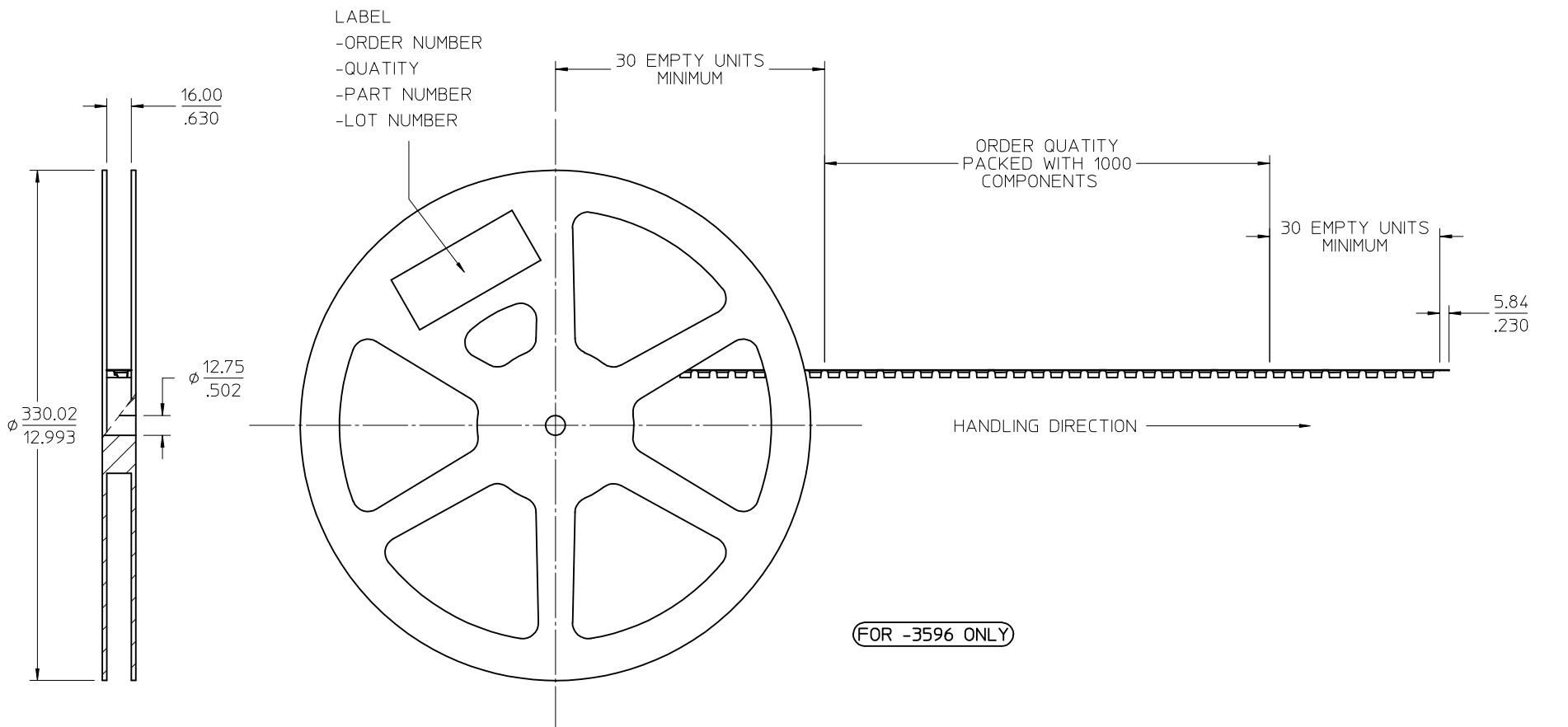
DIMENSION STYLE MM/IN		SCALE 10:1	DESIGN UNITS METRIC	THIRD ANGLE PROJECTION
DRAWN BY SSS	DATE 2007/07/18	TITLE SMP PLUG, PCB EDGEMOUNT 50 OHMS LIMITED DETENT SMP-P/PCB		
CHECKED BY TEL	DATE 2007/07/18	molex		
APPROVED BY GMH	DATE 2007/07/18			
MATERIAL NO. SEE TABLE		DOCUMENT NO. SD-73415-359	SHEET NO. 1 OF 3	
THIS DRAWING CONTAINS INFORMATION THAT IS PROPRIETARY TO MOLEX INCORPORATED AND SHOULD NOT BE USED WITHOUT WRITTEN PERMISSION				



CHG:SEE SHEET 1 EC NO: URF2014-0195 DRAWN:RYEH CHKD: APPR:MHUANG 2012/09/27 2013/10/07	DESCRIPTION 2013/10/07	QUALITY SYMBOLS	GENERAL TOLERANCES (UNLESS SPECIFIED)	DIMENSION STYLE	SCALE	DESIGN UNITS	THIRD ANGLE PROJECTION																
		$\nabla = 0$ $\nabla = 0$ $\nabla = 0$	<table border="1"> <thead> <tr> <th></th> <th>mm</th> <th>INCH</th> </tr> </thead> <tbody> <tr> <td>4 PLACES</td> <td>\pm .010</td> <td>\pm .0004</td> </tr> <tr> <td>3 PLACES</td> <td>\pm .015</td> <td>\pm .0006</td> </tr> <tr> <td>2 PLACES</td> <td>\pm .020</td> <td>\pm .0008</td> </tr> <tr> <td>1 PLACE</td> <td>\pm .030</td> <td>\pm .0012</td> </tr> <tr> <td>0 PLACE</td> <td>\pm .040</td> <td>\pm .0016</td> </tr> </tbody> </table>		mm	INCH	4 PLACES	\pm .010	\pm .0004	3 PLACES	\pm .015	\pm .0006	2 PLACES	\pm .020	\pm .0008	1 PLACE	\pm .030	\pm .0012	0 PLACE	\pm .040	\pm .0016	MM/IN	5:1
	mm	INCH																					
4 PLACES	\pm .010	\pm .0004																					
3 PLACES	\pm .015	\pm .0006																					
2 PLACES	\pm .020	\pm .0008																					
1 PLACE	\pm .030	\pm .0012																					
0 PLACE	\pm .040	\pm .0016																					
A8	REV	ANGULAR $\pm 2^\circ$	DRAFT WHERE APPLICABLE MUST REMAIN WITHIN DIMENSIONS	DRAWN BY: SSS CHECKED BY: TEL APPROVED BY: GMH DATE: 2007/07/18	TITLE: SMP PLUG, PCB EDMOUNT 50 OHMS LIMITED DETENT SMP-P/PCB molex	DOCUMENT NO.: SD-73415-359 SHEET NO.: 2 OF 3																	

13 12 11 10 9 8 7 6 5 4 3 2 1

J I H G F E D C B A



CHG:SEE SHEET 1 EC NO: URF2014-0195 DRAWN BY: DRWNR/REH CHKD: APPR:MHUANG 2012/09/27	QUALITY SYMBOLS ▽=0 ▽=0 ▽=0	GENERAL TOLERANCES (UNLESS SPECIFIED) mm INCH 4 PLACES ± --- ± --- 3 PLACES ± --- ± --- 2 PLACES ± --- ± --- 1 PLACE ± --- ± --- 0 PLACE ± ±	DIMENSION STYLE MM/IN DRAWN BY: SSS DATE: 2007/07/18 CHECKED BY: TEL DATE: 2007/07/18 APPROVED BY: GMH DATE: 2007/07/18	SCALE 1:2 DESIGN UNITS METRIC THIRD ANGLE PROJECTION	TITLE SMP PLUG, PCB EDGEMOUNT 50 OHMS LIMITED DETENT SMP-P/PCB molex	MATERIAL NO. SEE TABLE	DOCUMENT NO. SD-73415-359	SHEET NO. 3 OF 3
	ANGLULAR ± 2 °	DRAFT WHERE APPLICABLE MUST REMAIN WITHIN DIMENSIONS	SIZE C	THIS DRAWING CONTAINS INFORMATION THAT IS PROPRIETARY TO MOLEX INCORPORATED AND SHOULD NOT BE USED WITHOUT WRITTEN PERMISSION				
	REV: A8							