



Chipsmall Limited consists of a professional team with an average of over 10 year of expertise in the distribution of electronic components. Based in Hongkong, we have already established firm and mutual-benefit business relationships with customers from,Europe,America and south Asia,supplying obsolete and hard-to-find components to meet their specific needs.

With the principle of “Quality Parts,Customers Priority,Honest Operation,and Considerate Service”,our business mainly focus on the distribution of electronic components. Line cards we deal with include Microchip,ALPS,ROHM,Xilinx,Pulse,ON,Everlight and Freescale. Main products comprise IC,Modules,Potentiometer,IC Socket,Relay,Connector.Our parts cover such applications as commercial,industrial, and automotives areas.

We are looking forward to setting up business relationship with you and hope to provide you with the best service and solution. Let us make a better world for our industry!



Contact us

Tel: +86-755-8981 8866 Fax: +86-755-8427 6832

Email & Skype: info@chipsmall.com Web: www.chipsmall.com

Address: A1208, Overseas Decoration Building, #122 Zhenhua RD., Futian, Shenzhen, China



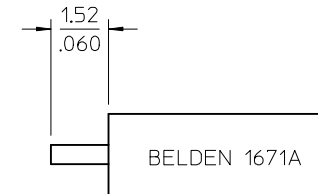
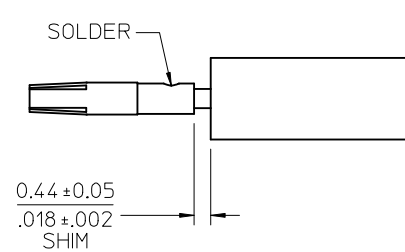
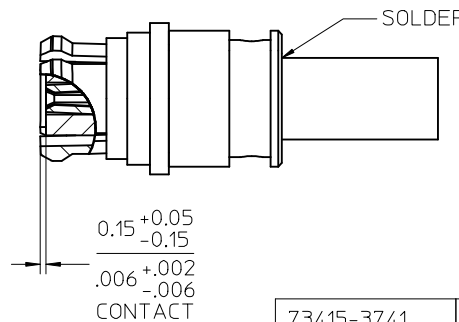
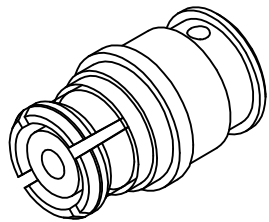
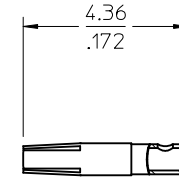
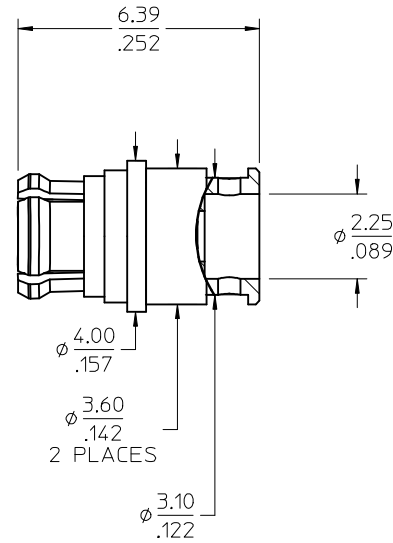
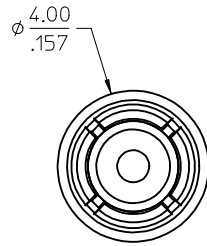
MATERIALS AND FINISHES

BODY: BERYLLIUM COPPER
PLATED GOLD

CONTACT: BERYLLIUM COPPER
PLATED GOLD

INSULATOR: TEFLON

EMI RING: BRASS
PLATED GOLD



PS-89675-3320	ELEC/MECH PERFORMANCE
MIL-STD-348A, FIG. 326.1	INTERFACE
SPECIFICATION	DESCRIPTION

73415-3741	ONE PC 73415-3740 IN BAG
73415-3740	TRAY
PART NO.	PACKAGING
	PACKAGING

CHG: ADDED DIMS 4.00, 3.60, 3.10 EC NO: URF2012-0531 DRWN: JLEE02 2012/08/27 CHKD: SSS 2012/08/27 APPR: JWIENER 2012/08/29	QUALITY SYMBOLS ▽=0 ▽=0	GENERAL TOLERANCES (UNLESS SPECIFIED) mm INCH 4 PLACES ± --- ± --- 3 PLACES ± --- ± --- 2 PLACES ± --- ± --- 1 PLACE ± --- ± --- ANGULAR ± 2 °	DIMENSION STYLE MM/IN DRAWN BY DATE AROBERTSON 2010/09/29 CHECKED BY DATE SSS 2010/09/29 APPROVED BY DATE JWIENER 2010/09/30	SCALE DESIGN UNITS INCH THIRD ANGLE PROJECTION	TITLE SMP JACK, STRAIGHT 086 SIZE CABLES SMP-JC	MATERIAL NO. SEE TABLE	DOCUMENT NO. SD-73415-374	SHEET NO. 1 OF 1
A3		REV DESCRIPTION		MOLEX MOLEX INCORPORATED		MOLEX INCORPORATED		A