



Chipsmall Limited consists of a professional team with an average of over 10 year of expertise in the distribution of electronic components. Based in Hongkong, we have already established firm and mutual-benefit business relationships with customers from,Europe,America and south Asia,supplying obsolete and hard-to-find components to meet their specific needs.

With the principle of "Quality Parts,Customers Priority,Honest Operation,and Considerate Service",our business mainly focus on the distribution of electronic components. Line cards we deal with include Microchip,ALPS,ROHM,Xilinx,Pulse,ON,Everlight and Freescale. Main products comprise IC,Modules,Potentiometer,IC Socket,Relay,Connector.Our parts cover such applications as commercial,industrial, and automotives areas.

We are looking forward to setting up business relationship with you and hope to provide you with the best service and solution. Let us make a better world for our industry!



Contact us

Tel: +86-755-8981 8866 Fax: +86-755-8427 6832

Email & Skype: info@chipsmall.com Web: www.chipsmall.com

Address: A1208, Overseas Decoration Building, #122 Zhenhua RD., Futian, Shenzhen, China



MATERIALS AND FINISHES

BODY: BRASS
PLATED NICKEL

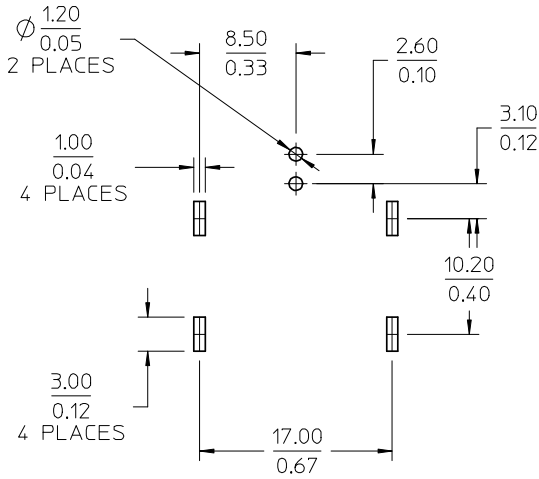
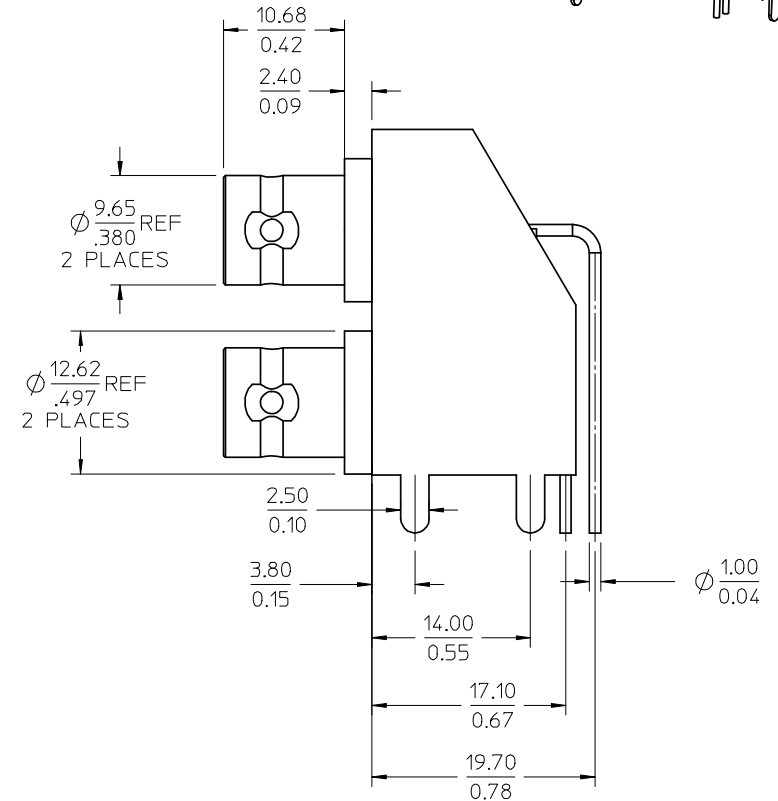
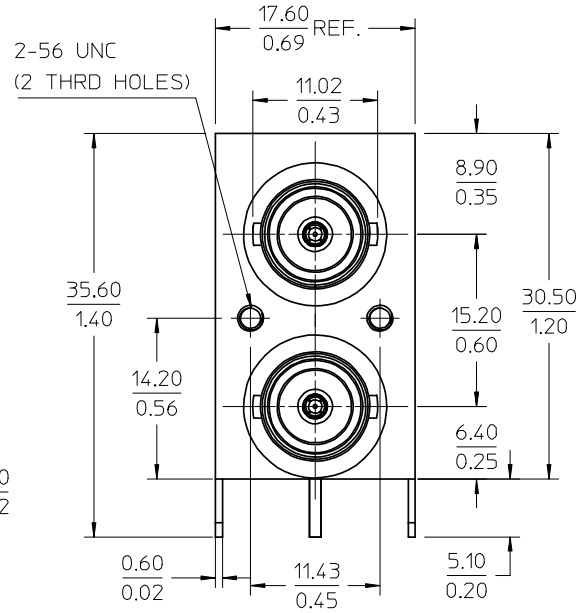
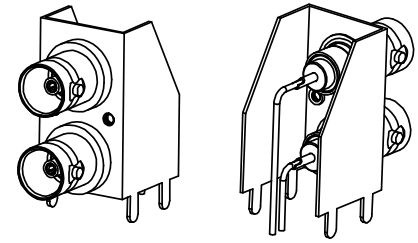
CENTER CONTACT: PHOSPHOR BRONZE
PLATED GOLD

INSULATOR: TEFLON

PRESS RING: STEEL
PASSIVATE

BRACKET: SPCC
PLATED NICKEL

GROUNDING: COPPER OVER STEEL WIRE
PLATED TIN



RECOMMENDED PCB LAYOUT

PS-73598-0051	ELEC/MECH PERFORMANCE
MIL-STD-348A, FIG. 301.2	INTERFACE
SPECIFICATION	DESCRIPTION

73415-3981	1 PC PER BAG
73415-3980	TRAY
PART NO.	PACKAGING

CHG: UPDATED REVISED BNC BODY.	EC NO: URF2009-0015	2008/07/10
DRWN:ROBERTSON	2008/07/10	
CHKD:SSS	2008/07/10	
APPR:JWIENER	2008/07/10	
REV	DESCRIPTION	
A3		

QUALITY SYMBOLS	▽=0
	▽=0

GENERAL TOLERANCES (UNLESS SPECIFIED)	
4 PLACES ±	±
3 PLACES ±	±
2 PLACES ±	±
1 PLACE ±	±
ANGULAR ± 2 °	
DRAFT WHERE APPLICABLE MUST REMAIN WITHIN DIMENSIONS	

DRAWN BY	DATE
CLL I	2003/09/08
CHECKED BY	DATE
-	2003/09/08
APPROVED BY	DATE
-	2003/09/08
MATERIAL NO.	DOCUMENT NO.
SEE TABLE	SD-73415-398

SCALE	DESIGN UNITS	THIRD ANGLE PROJECTION
	METRIC	
TITLE		
BNC 75 OHMS JACK DUAL BNC-J/PCB		
MOLEX INCORPORATED		
SHEET NO.		1 OF 1
THIS DRAWING CONTAINS INFORMATION THAT IS PROPRIETARY TO MOLEX INCORPORATED AND SHOULD NOT BE USED WITHOUT WRITTEN PERMISSION		