



Chipsmall Limited consists of a professional team with an average of over 10 year of expertise in the distribution of electronic components. Based in Hongkong, we have already established firm and mutual-benefit business relationships with customers from,Europe,America and south Asia,supplying obsolete and hard-to-find components to meet their specific needs.

With the principle of "Quality Parts,Customers Priority,Honest Operation,and Considerate Service",our business mainly focus on the distribution of electronic components. Line cards we deal with include Microchip,ALPS,ROHM,Xilinx,Pulse,ON,Everlight and Freescale. Main products comprise IC,Modules,Potentiometer,IC Socket,Relay,Connector.Our parts cover such applications as commercial,industrial, and automotives areas.

We are looking forward to setting up business relationship with you and hope to provide you with the best service and solution. Let us make a better world for our industry!



Contact us

Tel: +86-755-8981 8866 Fax: +86-755-8427 6832

Email & Skype: info@chipsmall.com Web: www.chipsmall.com

Address: A1208, Overseas Decoration Building, #122 Zhenhua RD., Futian, Shenzhen, China



MATERIALS AND FINISHES

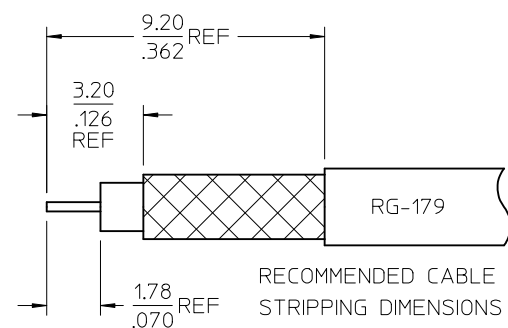
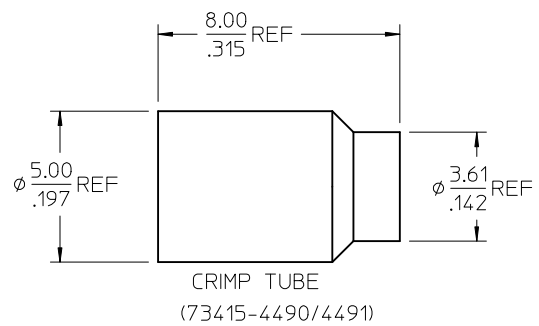
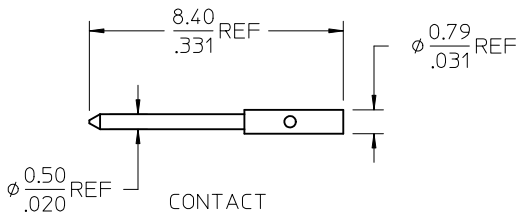
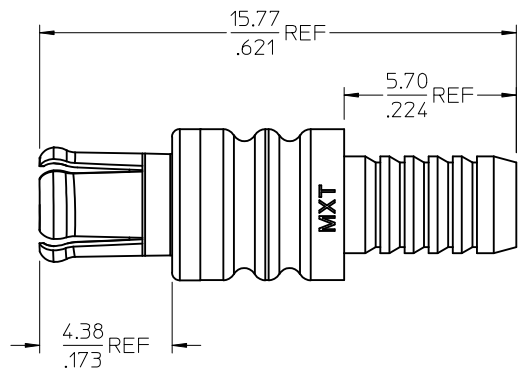
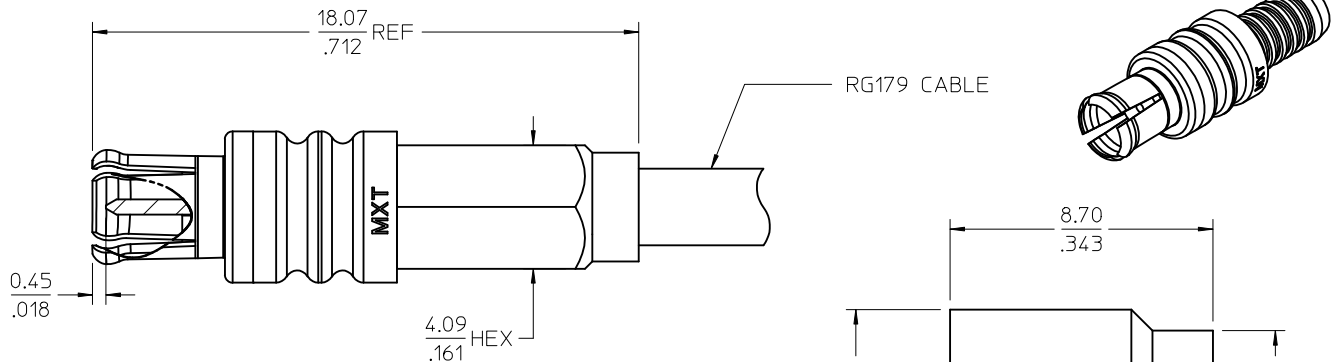
BODY: ZINC ALLOY
 PLATED (SEE TABLE)
 THICKNESS (SEE TABLE)

CENTER CONTACT: BRASS
 PLATED GOLD (THICKNESS SEE TABLE)

INSULATOR: TEFLON

OUTER CONTACT (OC): BERYLLIUM COPPER
 PLATED GOLD (THICKNESS SEE TABLE)

CRIMP TUBE: BRASS
 PLATED (SEE TABLE)
 THICKNESS (SEE TABLE)



73415-4492	BULK	70 μ" MIN NICKEL	30 μ" MIN	30 μ" MIN	70 μ" MIN NICKEL
73415-4491	ONE PER BAG	GOLD FLASH	10 μ" MIN	5 μ" MIN	10 μ" MIN GOLD
73415-4490	BULK	GOLD FLASH	10 μ" MIN	5 μ" MIN	10 μ" MIN GOLD
PART NO.	PACKAGING	BODY FINISH	CONTACT FINISH	OC FINISH	CRIMP TUBE FIN

CHG: ADDED 73415-4492 & PLATING THICKNESS. EC NO: URF2012-0640 DRWIN:ROBERTSON 2012/04/27 CHKD:SSS 2012/04/27 APPR:WIENER 2012/04/30 A4	QUALITY SYMBOLS ▽=0 ▽=0	GENERAL TOLERANCES (UNLESS SPECIFIED)		DIMENSION STYLE MM/IN	SCALE DESIGN UNITS METRIC	THIRD ANGLE PROJECTION	
		4 PLACES ± --- ± --- 3 PLACES ± --- ± --- 2 PLACES ± --- ± --- 1 PLACE ± --- ± ---	mm INCH ± --- ± --- ± --- ± --- ± --- ± --- ± --- ± ---	DRAWN BY TEF 2003/08/11	DATE 2003/08/11		TITLE MCX PLUG STR FOR RG179 75 OHMS MCX-PC EWR-2114
		ANGULAR ± 2 °		CHECKED BY SSS 2003/08/11	DATE 2003/08/11		MOLEX INCORPORATED
		DRAFT WHERE APPLICABLE MUST REMAIN WITHIN DIMENSIONS		APPROVED BY GMH 2003/08/11	DATE 2003/08/11		DOCUMENT NO. SD-73415-449
		MATERIAL NO. SEE TABLE		SHEET NO. 1 OF 1			