



Chipsmall Limited consists of a professional team with an average of over 10 year of expertise in the distribution of electronic components. Based in Hongkong, we have already established firm and mutual-benefit business relationships with customers from,Europe,America and south Asia,supplying obsolete and hard-to-find components to meet their specific needs.

With the principle of “Quality Parts,Customers Priority,Honest Operation,and Considerate Service”,our business mainly focus on the distribution of electronic components. Line cards we deal with include Microchip,ALPS,ROHM,Xilinx,Pulse,ON,Everlight and Freescale. Main products comprise IC,Modules,Potentiometer,IC Socket,Relay,Connector.Our parts cover such applications as commercial,industrial, and automotives areas.

We are looking forward to setting up business relationship with you and hope to provide you with the best service and solution. Let us make a better world for our industry!



## Contact us

Tel: +86-755-8981 8866 Fax: +86-755-8427 6832

Email & Skype: info@chipsmall.com Web: www.chipsmall.com

Address: A1208, Overseas Decoration Building, #122 Zhenhua RD., Futian, Shenzhen, China



MATERIALS AND FINISH

PART NO. 73415-4672

PART NO.73415-4670  
73415-4671

BODY  
BERYLLIUM COPPER  
PLATED GOLD

BODY  
BRASS OR BERYLLIUM COPPER  
PLATE GOLD

CENTER CONTACT  
BERYLLIUM COPPER  
PLATED GOLD

CENTER CONTACT  
BERYLLIUM COPPER  
PLATED GOLD

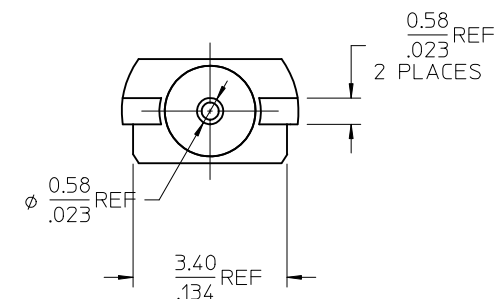
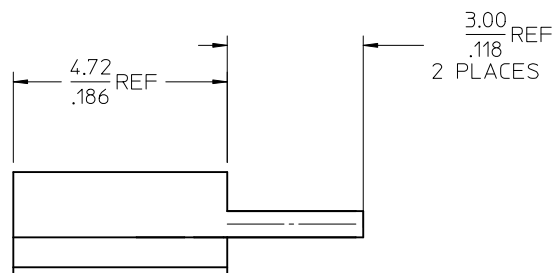
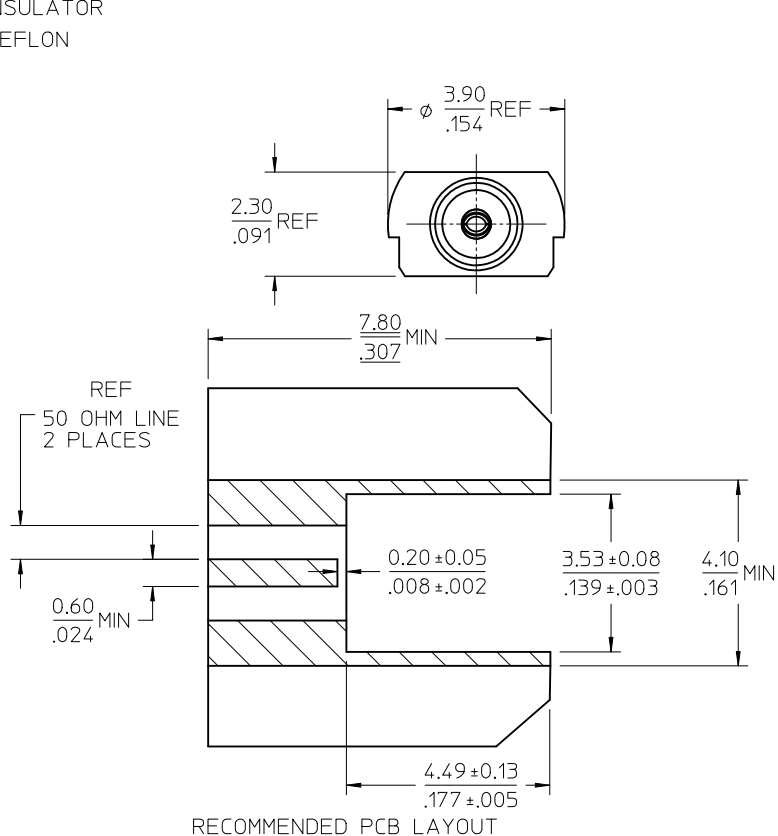
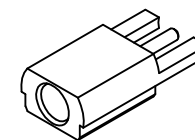
INSULATOR  
TEFLON

INSULATOR  
TEFLON

NOTES:

1,PART NO.73415-4670 PACKAGE WITH TRAY

2,PART NO.73415-4671/73415-4672 PACKAGE WITH  
TAPE & REEL (SEE SHEET 2 & 3)



|             |                         |
|-------------|-------------------------|
| 73415-4674  | 1 PC 73415-4672 PER BAG |
| 73415-4673  | 1 PC 73415-4670 PER BAG |
| 73415-4672  | NON-MAGNETIC            |
| 73415-4671  | GENERAL TYPE            |
| 73415-4670  | GENERAL TYPE            |
| PART NUMBER | DESCRIPTION             |

CHG:PACKAGE  
73415-4670 WITH  
TRAY WAS POLYBAG  
ADDED PACKAGE TR  
DRAWING  
PER RF10-E140

EC NO: URF2010-0598  
2010/05/26  
DRWN: CME102  
2003/11/26  
CHKD: JOHNSON  
2010/06/02  
APPR: HUANG

DESCRIPTION

REV B4

QUALITY SYMBOLS

GENERAL TOLERANCES (UNLESS SPECIFIED)

|          | mm     | INCH    |
|----------|--------|---------|
| 4 PLACES | ± .010 | ± .0004 |
| 3 PLACES | ± .015 | ± .0006 |
| 2 PLACES | ± .020 | ± .0008 |
| 1 PLACE  | ± .030 | ± .0012 |

ANGULAR ± 2°

DRAFT WHERE APPLICABLE  
MUST REMAIN  
WITHIN DIMENSIONS

DIMENSION STYLE  
MM/IN

DRAWN BY JOHN DATE 2003/11/26  
CHECKED BY JOHNSON DATE 2003/11/26  
APPROVED BY MISEN DATE 2003/11/26

MATERIAL NO.  
SEE TABLE

SIZE C

SCALE

DESIGN UNITS  
METRIC

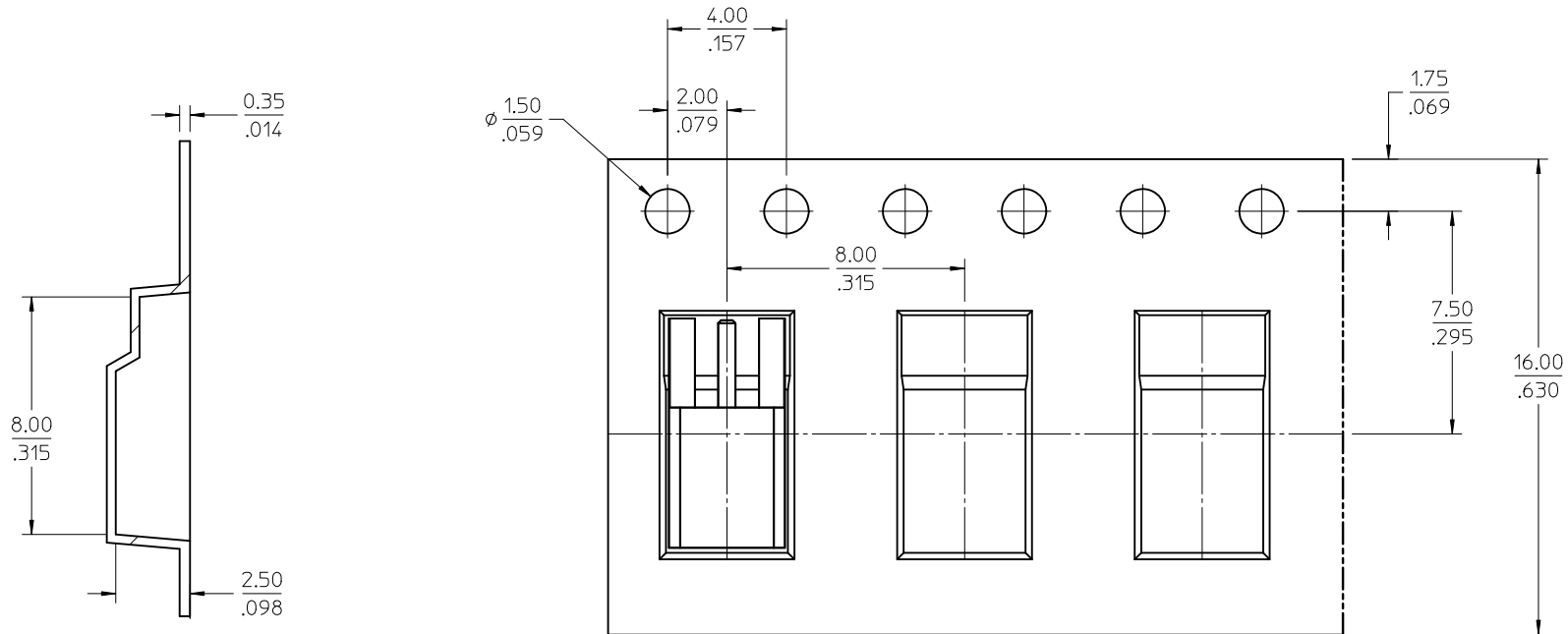
THIRD ANGLE PROJECTION

TITLE  
SSMCX JACK, 50 OHM  
EDGE MOUNT  
SSMCX-J/PCB

MOLEX INCORPORATED

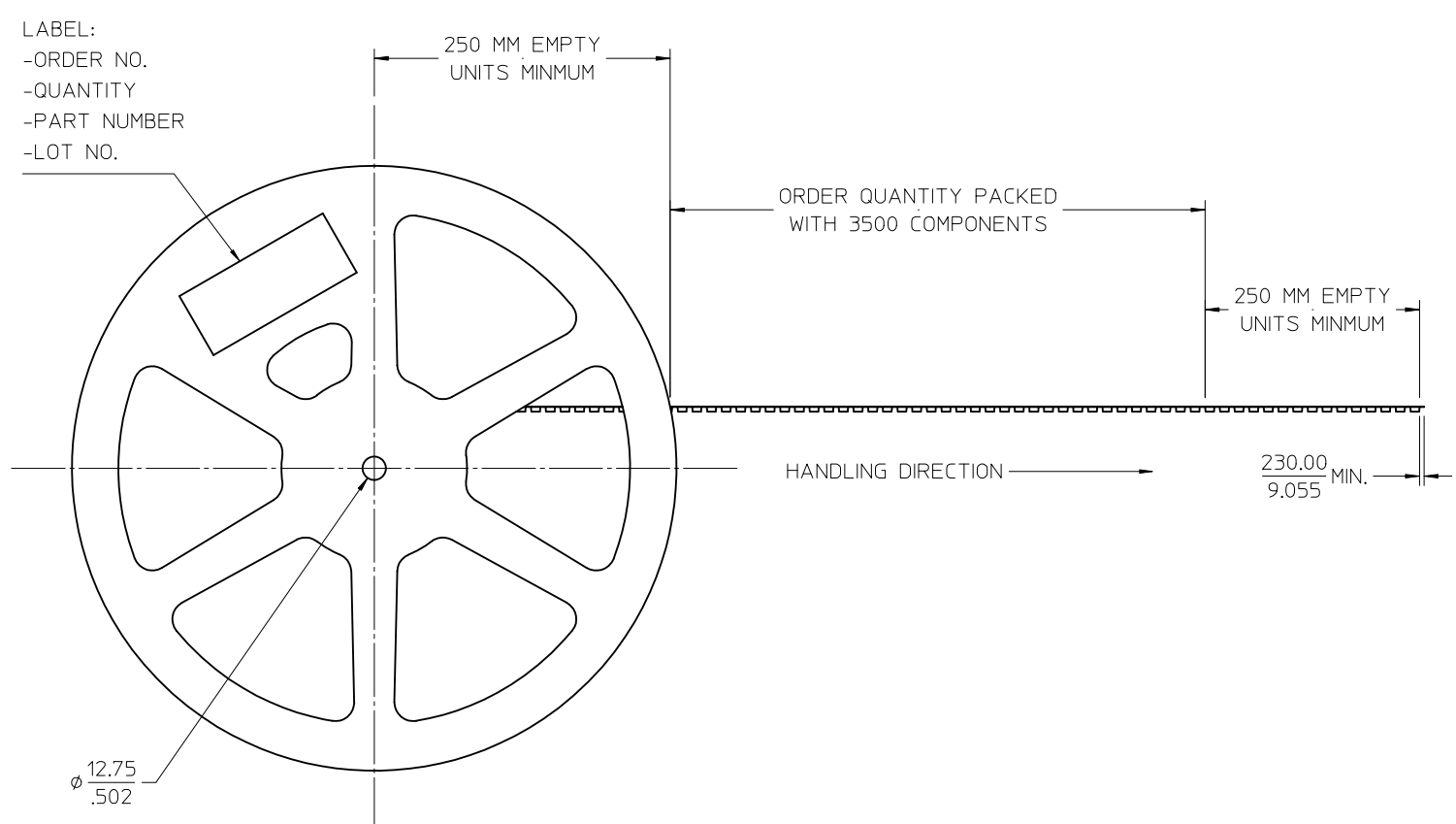
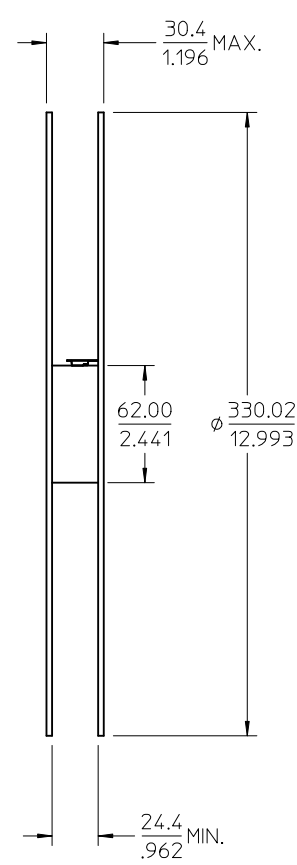
DOCUMENT NO.  
SD-73415-467

SHEET NO.  
1 OF 3



PART # 73415-4671/73415-4672

|  |                               |  |                      |                                    |                            |   |   |
|--|-------------------------------|--|----------------------|------------------------------------|----------------------------|---|---|
| CHG: SEE SHEET 1<br>EC NO: URF2010-0598<br>DRWN: CWE102 2010/05/26<br>CHKD: JOHNSON 2003/11/26<br>APPR: HUANG 2010/06/02 | QUALITY SYMBOLS<br>▽=0<br>▽=0 | GENERAL TOLERANCES (UNLESS SPECIFIED)                      |                      | DIMENSION STYLE<br><b>MM/IN</b>    | SCALE<br>METRIC            | THIRD ANGLE PROJECTION  |   |
|  |                               | 4 PLACES ± --- ± ---                                       | 3 PLACES ± --- ± --- | DRAWN BY<br>JOHN                   | DATE<br>2003/11/26         |   | TITLE<br><b>SSMCX JACK, 50 OHM<br/>EDGE MOUNT<br/>SSMCX-J/PCB</b> |
|  |                               | 2 PLACES ± --- ± ---                                       | 1 PLACE ± --- ± ---  | CHECKED BY<br>JOHNSON              | DATE<br>2003/11/26         |   | MOLEX INCORPORATED  |
|  |                               | ANGULAR ± 2 °  |                      | APPROVED BY<br>MISEN               | DATE<br>2003/11/26         |   | DOCUMENT NO.<br><b>SD-73415-467</b>                               |
| B4   | DESCRIPTION<br>REV            | DRAFT WHERE APPLICABLE<br>MUST REMAIN<br>WITHIN DIMENSIONS |                      | MATERIAL NO.<br><b>SEE SHEET 1</b> | SHEET NO.<br><b>2 OF 3</b> | THIS DRAWING CONTAINS INFORMATION THAT IS PROPRIETARY TO MOLEX INCORPORATED AND SHOULD NOT BE USED WITHOUT WRITTEN PERMISSION |   |



LABEL:  
 -ORDER NO.  
 -QUANTITY  
 -PART NUMBER  
 -LOT NO.

PART # 73415-4671/73415-4672

- PACKING DESCRIPTION :
1. MATERIAL : PS BLACK-THICKNESS : 0.35
  2. PACKING LENGTH PER 22" REEL : 86 METER (1:3)
  3. COMPONENT LOAD PER 13" REEL : 3500 PCS
  4. DIMENSION ARE PROVIDED FOR REFERENCE ONLY

|   |  |                        |  |  |   |   |  |                        |
|---|--|------------------------|--|--|---|---|--|------------------------|
| CHG: SEE SHEET 1<br>EC NO: URF2010-0598<br>DRWNG: CWE102<br>CHKD: JOHNSON<br>APPR: MHUANG | 2010/05/26<br>2003/11/26<br>2010/06/02 | DESCRIPTION<br>REV: B4 | QUALITY SYMBOLS  | GENERAL TOLERANCES (UNLESS SPECIFIED)  | DIMENSION STYLE                               | SCALE   | DESIGN UNITS   | THIRD ANGLE PROJECTION |
|   |  |                        | ▽=0<br>▽=0   | mm    INCH<br>4 PLACES ± --- ± ---<br>3 PLACES ± --- ± ---<br>2 PLACES ± --- ± ---<br>1 PLACE ± --- ± ---<br>ANGULAR ± 2 ° | MM/IN   | METRIC  | TITLE<br>SSMCX JACK, 50 OHM<br>EDGE MOUNT<br>SSMCX-J/PCB |                        |
|   |  |                        | DRAFT WHERE APPLICABLE<br>MUST REMAIN<br>WITHIN DIMENSIONS | DRAWN BY    DATE<br>JOHN        2003/11/26   | CHECKED BY    DATE<br>JOHNSON      2003/11/26 | APPROVED BY    DATE<br>MISEN          2003/11/26  | MOLEX INCORPORATED                                       |                        |
|   |  |                        | SEE SHEET 1  | MATERIAL NO.<br>DOCUMENT NO.   | SHEET NO.<br>3 OF 3                           | THIS DRAWING CONTAINS INFORMATION THAT IS PROPRIETARY TO MOLEX INCORPORATED AND SHOULD NOT BE USED WITHOUT WRITTEN PERMISSION |  |                        |