



Chipsmall Limited consists of a professional team with an average of over 10 year of expertise in the distribution of electronic components. Based in Hongkong, we have already established firm and mutual-benefit business relationships with customers from,Europe,America and south Asia,supplying obsolete and hard-to-find components to meet their specific needs.

With the principle of “Quality Parts,Customers Priority,Honest Operation,and Considerate Service”,our business mainly focus on the distribution of electronic components. Line cards we deal with include Microchip,ALPS,ROHM,Xilinx,Pulse,ON,Everlight and Freescale. Main products comprise IC,Modules,Potentiometer,IC Socket,Relay,Connector.Our parts cover such applications as commercial,industrial, and automotives areas.

We are looking forward to setting up business relationship with you and hope to provide you with the best service and solution. Let us make a better world for our industry!



Contact us

Tel: +86-755-8981 8866 Fax: +86-755-8427 6832

Email & Skype: info@chipsmall.com Web: www.chipsmall.com

Address: A1208, Overseas Decoration Building, #122 Zhenhua RD., Futian, Shenzhen, China



MATERIALS AND FINISHES:

PART NO. 73415-4680/73415-4681
73415-4682/73415-4683
73415-4685
BODY
BRASS
PLATED 50u" MIN COPPER UNDERCOAT
100~200u" NICKEL UNDERCOAT
2u" MIN GOLD PLATING

CENTER CONTACT
BRASS
PLATED 10u" GOLD

OUTER CONTACT
BERYLLIUM COPPER
PLATED 50u" MIN COPPER UNDERCOAT
100~200u" NICKEL UNDERCOAT
2u" MIN GOLD PLATING

INSULATOR
TEFLON

WITHSTAND 48HRS SALT SPRAY TEST

NOTE:

- PART NO.73415-4681 WITHOUT CONTACT PART
- 73415-4682 WITH CUSTOMER REQUEST PACKAGE
- PART NO.73415-4683/73415-4684
PACKAGE 500PCS BY BAG

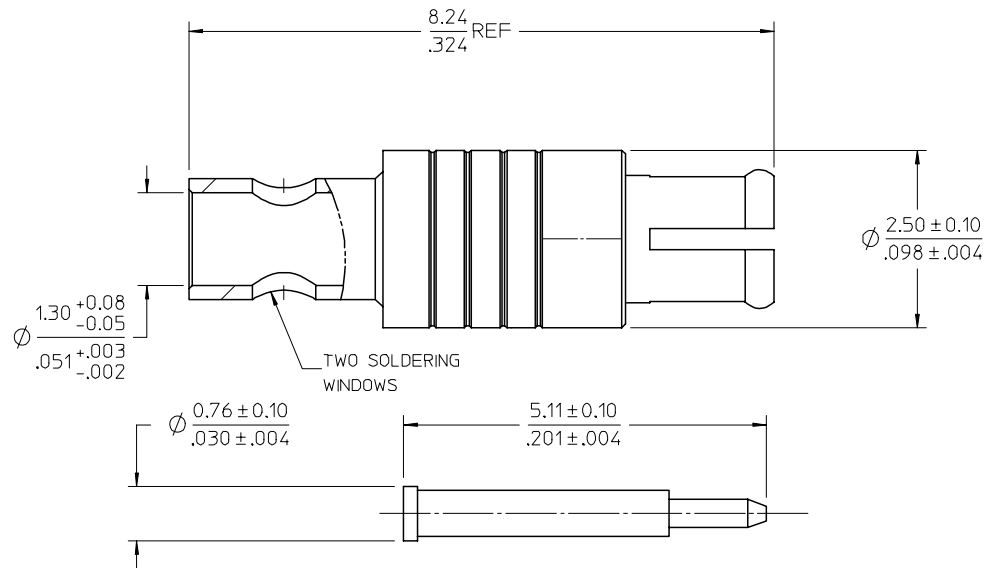
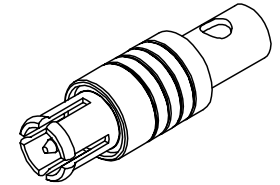
PART NO.73415-4684

BODY
BERYLLIUM COPPER
PLATED TRI METAL

CENTER CONTACT
BERYLLIUM COPPER
PLATED GOLD

OUTER CONTACT
BERYLLIUM COPPER
PLATED GOLD

INSULATOR
TEFLON



PS-73598-0220	PRODUCT SPECIFICATION
AS-73597-033	ASSEMBLY INSTRUCTION
SPECIFICATION	DESCRIPTION

73415-4687	NON-MAGNETIC	1 PIECE 73415-4684 PER BAG
73415-4686	GENERAL TYPE	1 PIECE 73415-4680 PER BAG
73415-4685	GENERAL TYPE	SPECIFIC LABEL ON OUTER BOX
73415-4684	NON-MAGNETIC	500pcs BY ONE BAG
73415-4683	GENERAL TYPE	500pcs BY ONE BAG
73415-4682	GENERAL TYPE	SEE NOTE 2
73415-4681	GENERAL TYPE	SEE NOTE 1
73415-4680	GENERAL TYPE	1000pcs BY ONE BAG
PART NO.	DESCRIPTION	PACKAGING

CHG: ADDED P/NS
73415-4686 & -4687.
EC NO: URF2007-0254
DRAWN: ARROBERTSON 2007/01/04
CHKD: 2007/01/04
APPR: JIM ENEER 2007/01/04

QUALITY SYMBOLS
▽=0
▽=0

DESCRIPTION
D2

GENERAL TOLERANCES (UNLESS SPECIFIED)

	mm	INCH
4 PLACES	± .005	± .0002
3 PLACES	± .003	± .0001
2 PLACES	± .002	± .0001
1 PLACE	± .001	± .0001

ANGULAR ± 5 °

DRAFT WHERE APPLICABLE MUST REMAIN WITHIN DIMENSIONS

DIMENSION STYLE: MM/IN

SCALE: THIRD ANGLE PROJECTION

DESIGN UNITS: METRIC

DRAWN BY: JOHN DATE: 2004/09/17
CHECKED BY: JOHNSON DATE: 2004/09/17
APPROVED BY: MISEN DATE: 2004/09/17

TITLE: SSMCX PLUG, 50 OHM PLUG CABLE TYPE SSMCX-PC

MATERIAL NO.: SEE TABLE
DOCUMENT NO.: SD-73415-468
SHEET NO.: 1 OF 1

moLEX MOLEX INCORPORATED

THIS DRAWING CONTAINS INFORMATION THAT IS PROPRIETARY TO MOLEX INCORPORATED AND SHOULD NOT BE USED WITHOUT WRITTEN PERMISSION