



Chipsmall Limited consists of a professional team with an average of over 10 year of expertise in the distribution of electronic components. Based in Hongkong, we have already established firm and mutual-benefit business relationships with customers from,Europe,America and south Asia,supplying obsolete and hard-to-find components to meet their specific needs.

With the principle of “Quality Parts,Customers Priority,Honest Operation,and Considerate Service”,our business mainly focus on the distribution of electronic components. Line cards we deal with include Microchip,ALPS,ROHM,Xilinx,Pulse,ON,Everlight and Freescale. Main products comprise IC,Modules,Potentiometer,IC Socket,Relay,Connector.Our parts cover such applications as commercial,industrial, and automotives areas.

We are looking forward to setting up business relationship with you and hope to provide you with the best service and solution. Let us make a better world for our industry!



Contact us

Tel: +86-755-8981 8866 Fax: +86-755-8427 6832

Email & Skype: info@chipsmall.com Web: www.chipsmall.com

Address: A1208, Overseas Decoration Building, #122 Zhenhua RD., Futian, Shenzhen, China



MATERIALS AND FINISHES

PART NO. 73415-4760/73415-4761
73415-4762/73415-4763
73415-4765

BODY
BRASS
PLATED:50u" MIN COPPER UNDERCOAT.
100~200u" NICKEL UNDERCOAT.
2u" MIN GOLD PLATING.

CENTER CONTACT
BERYLLIUM COPPER
PLATED:10u" MIN GOLD PLATING

INSULATOR
TEFLON

WITHSTAND 48HRS SALT SPRAY TEST

Note:

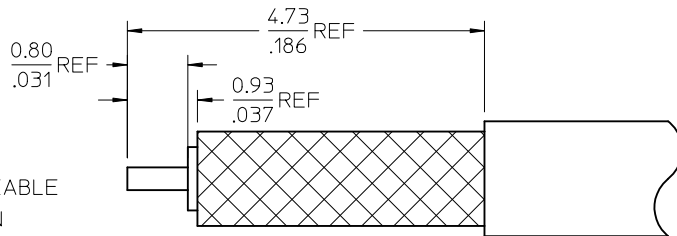
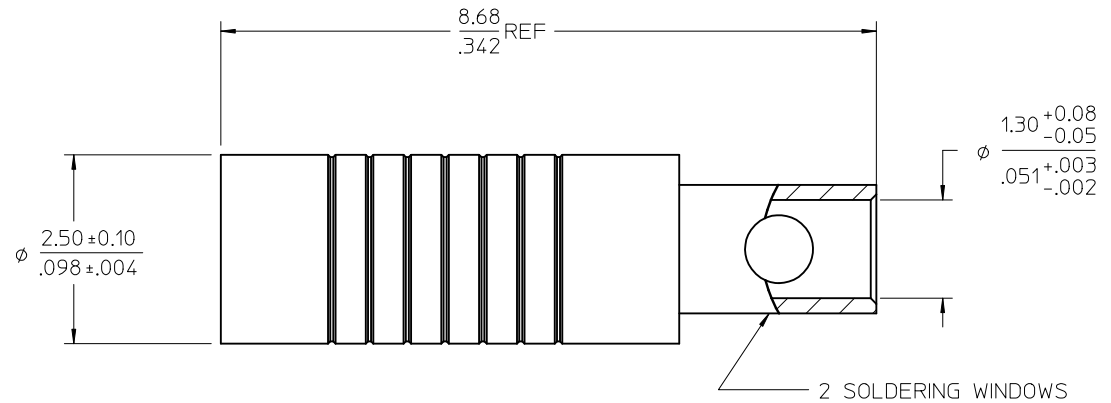
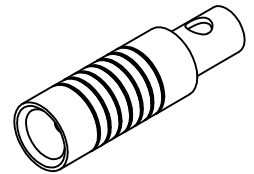
1. Part No.73415-4761 WITHOUT CONTACT PART
2. 73415-4762 WITH CUSTOMER REQUEST PACKAGE
3. Part No.73415-4763 USE PART NO.73415-4760 WITH 500PCS BY BAG

PART NO. 73415-4764

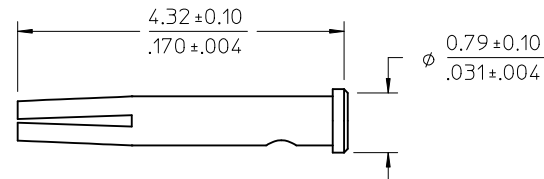
BODY
BERYLLIUM COPPER
PLATED TRI-METAL

CENTER CONTACT
BERYLLIUM COPPER
PLATED GOLD

INSULATOR
TEFLON



RECOMMENDED CABLE
STRIP DIMENSION
(.047, 1.3mm)



PART NO.	DESCRIPTION	PACKAGING
73415-4767	NON-MAGNETIC	1 PIECE 73415-4764 PER BAG
73415-4766	GENERAL TYPE	1 PIECE 73415-4760 PER BAG
73415-4765	GENERAL TYPE	SPECIFIC LABEL ON OUTER BOX
73415-4764	NON-MAGNETIC	500pcs BY ONE BAG
73415-4763	GENERAL TYPE	500pcs BY ONE BAG
73415-4762	GENERAL TYPE	SEE NOTE 2
73415-4761	GENERAL TYPE	SEE NOTE 1
73415-4760	GENERAL TYPE	1000pcs BY ONE BAG

PS-89675-0320	PRODUCT SPECIFICATION
SPECIFICATION	DESCRIPTION

CHG: PS WAS PS-73599-0220, DELETED AS.	EC NO: URF2011-0430	2011/01/17
DRWN:JLEE02	2011/01/17	
CHKD:SSS	2011/01/17	
APPR:JWIENER	2011/01/17	
REV	DESCRIPTION	
C6		

QUALITY SYMBOLS	$\nabla=0$	$\nabla=0$
GENERAL TOLERANCES (UNLESS SPECIFIED)	mm	INCH
4 PLACES	$\pm .005$	$\pm .0004$
3 PLACES	$\pm .005$	$\pm .0004$
2 PLACES	$\pm .005$	$\pm .0004$
1 PLACE	$\pm .005$	$\pm .0004$
ANGULAR	$\pm 2^\circ$	

DRAWN BY	DATE
JLEE	2007/07/23
CHECKED BY	DATE
TFLAHERTY	2007/07/23
APPROVED BY	DATE
JWIENER	2007/07/23

DIMENSION STYLE	MM/IN
TITLE	SSMCX JACK, 50 OHM CABLE TYPE (.047, 1.3MM) SSMCX-JC
MATERIAL NO.	SEE TABLE
SIZE	C

SCALE	DESIGN UNITS	THIRD ANGLE PROJECTION
	METRIC	
MOLEX MOLEX INCORPORATED		
DOCUMENT NO.	SHEET NO.	
SD-73415-476	1 OF 1	

DRAFT WHERE APPLICABLE
MUST REMAIN
WITHIN DIMENSIONS

THIS DRAWING CONTAINS INFORMATION THAT IS PROPRIETARY TO MOLEX
INCORPORATED AND SHOULD NOT BE USED WITHOUT WRITTEN PERMISSION