



Chipsmall Limited consists of a professional team with an average of over 10 year of expertise in the distribution of electronic components. Based in Hongkong, we have already established firm and mutual-benefit business relationships with customers from,Europe,America and south Asia,supplying obsolete and hard-to-find components to meet their specific needs.

With the principle of “Quality Parts,Customers Priority,Honest Operation,and Considerate Service”,our business mainly focus on the distribution of electronic components. Line cards we deal with include Microchip,ALPS,ROHM,Xilinx,Pulse,ON,Everlight and Freescale. Main products comprise IC,Modules,Potentiometer,IC Socket,Relay,Connector.Our parts cover such applications as commercial,industrial, and automotives areas.

We are looking forward to setting up business relationship with you and hope to provide you with the best service and solution. Let us make a better world for our industry!



Contact us

Tel: +86-755-8981 8866 Fax: +86-755-8427 6832

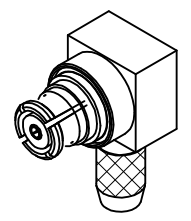
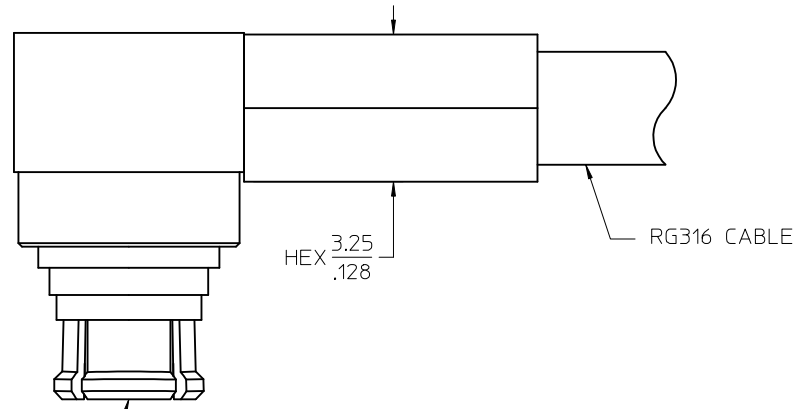
Email & Skype: info@chipsmall.com Web: www.chipsmall.com

Address: A1208, Overseas Decoration Building, #122 Zhenhua RD., Futian, Shenzhen, China

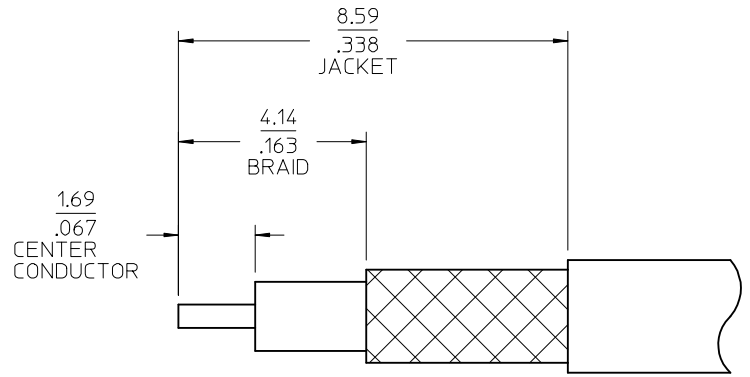


MATERIALS AND FINISHES

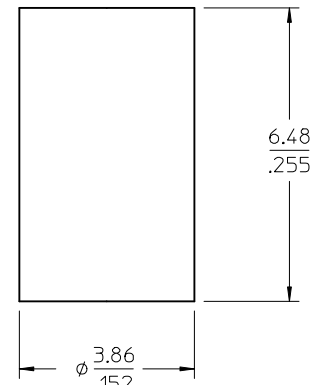
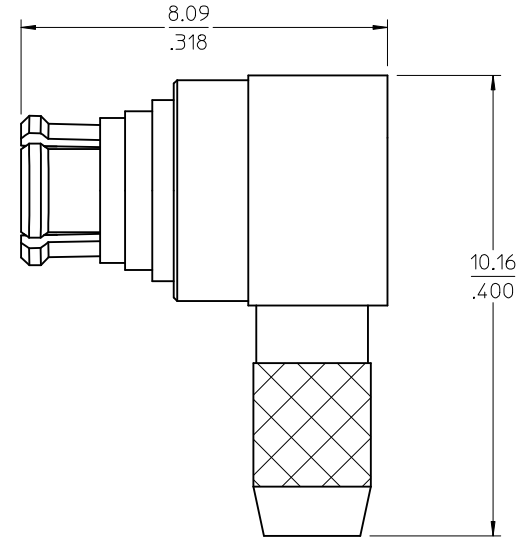
- BODY, CRIMP TUBE BRASS
PLATED GOLD
- OUTER CONTACT BERYLLIUM COPPER
PLATED GOLD
- CENTER CONTACT BERYLLIUM COPPER
PLATED GOLD
- INSULATOR TEFLON
- CRIMP USING .128 HEX DIE



SMP JACK
INTERFACE



RECOMMENDED STRIP DIMENSIONS



CRIMP TUBE

73415-5034	73415-5033 W/GOLD FLASH BODY / STANDARD TRAY
73415-5033	GOLD 8u" MIN. / STANDARD TRAY (80 CAV.)
73415-5032	73415-5030 / SMALL TRAY (20 CAV.)
73415-5031	73415-5030 / ONE PER BAG
73415-5030	GOLD 10u" MIN. / STANDARD TRAY (80 CAV.)
PART NO.	DESCRIPTION

MIL-STD-348A, FIG. 326.1	INTERFACE
SPECIFICATION	DESCRIPTION

CHG: UPDATE PACKAGING PER RF15-E204
EC NO: URF2015-0639
DRWR:YEH 2015/05/15
CHKD:
APPR:YCHENG 2015/05/25

DESCRIPTION
REV: B6

QUALITY SYMBOLS

GENERAL TOLERANCES (UNLESS SPECIFIED)

	mm	INCH
4 PLACES	± .005	± .0004
3 PLACES	± .005	± .0004
2 PLACES	± .005	± .0004
1 PLACE	± .005	± .0004
0 PLACE	± .005	± .0004

ANGULAR ± 2 °

DRAFT WHERE APPLICABLE MUST REMAIN WITHIN DIMENSIONS

DIMENSION STYLE MM/IN

SCALE 12:1

DESIGN UNITS METRIC

THIRD ANGLE PROJECTION

DRAWN BY TEF DATE

CHECKED BY SSS DATE 2004/06/10

APPROVED BY GMH DATE 2004/06/10

MATERIAL NO. SEE TABLE

SIZE C

TITLE

SMP JACK R/A FOR
RG316 50 OHMS EWR-2492
SMP-JC/RA

molex

DOCUMENT NO. SD-73415-503

SHEET NO. 1 OF 1

THIS DRAWING CONTAINS INFORMATION THAT IS PROPRIETARY TO MOLEX INCORPORATED AND SHOULD NOT BE USED WITHOUT WRITTEN PERMISSION