

Chipsmall Limited consists of a professional team with an average of over 10 year of expertise in the distribution of electronic components. Based in Hongkong, we have already established firm and mutual-benefit business relationships with customers from,Europe,America and south Asia,supplying obsolete and hard-to-find components to meet their specific needs.

With the principle of “Quality Parts,Customers Priority,Honest Operation,and Considerate Service”,our business mainly focus on the distribution of electronic components. Line cards we deal with include Microchip,ALPS,ROHM,Xilinx,Pulse,ON,Everlight and Freescale. Main products comprise IC,Modules,Potentiometer,IC Socket,Relay,Connector.Our parts cover such applications as commercial,industrial, and automotives areas.

We are looking forward to setting up business relationship with you and hope to provide you with the best service and solution. Let us make a better world for our industry!



Contact us

Tel: +86-755-8981 8866 Fax: +86-755-8427 6832

Email & Skype: info@chipsmall.com Web: www.chipsmall.com

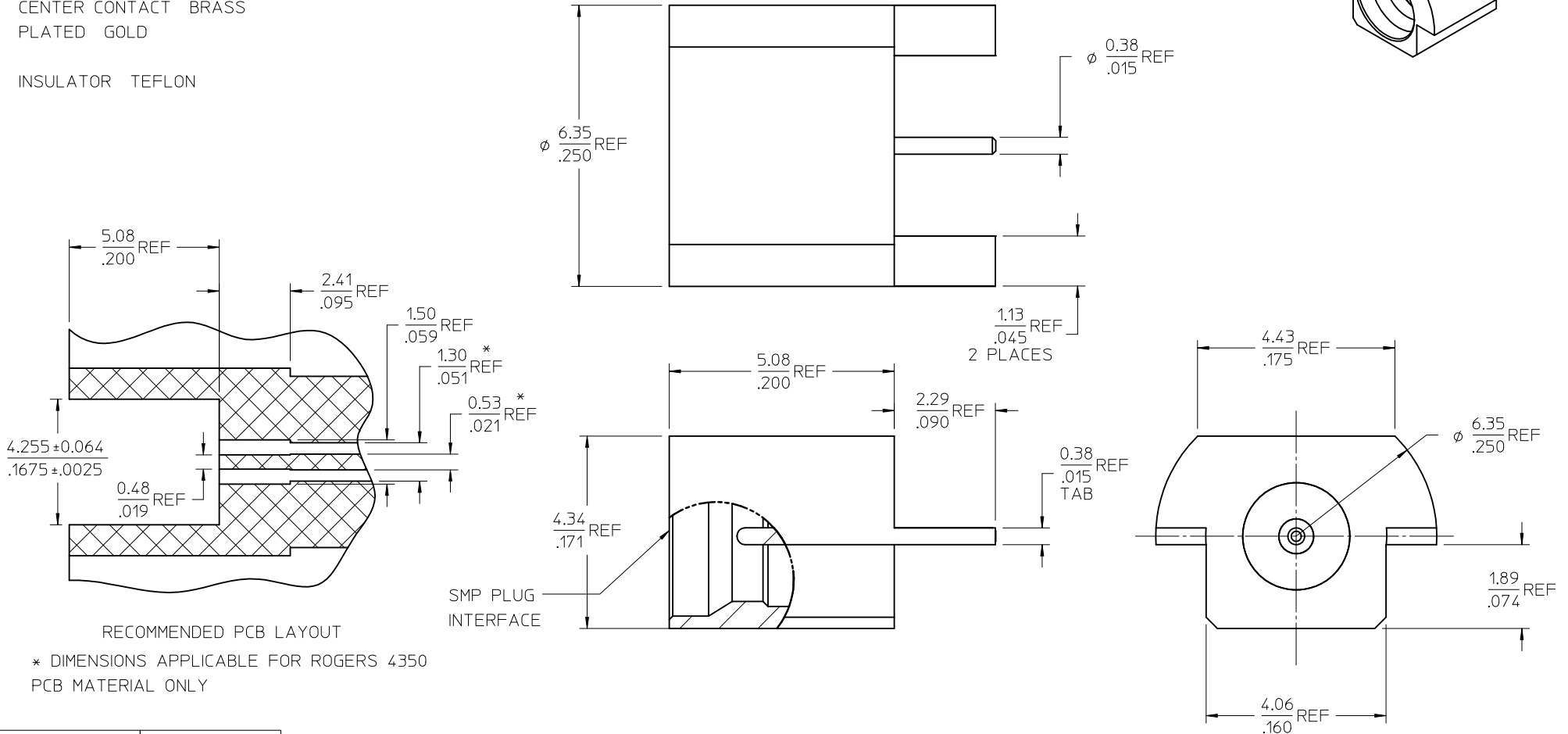
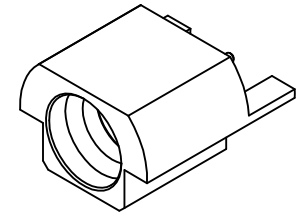
Address: A1208, Overseas Decoration Building, #122 Zhenhua RD., Futian, Shenzhen, China

MATERIALS AND FINISHES

BODY BRASS
PLATED GOLD

CENTER CONTACT BRASS
PLATED GOLD

INSULATOR TEFLON



RECOMMENDED PCB LAYOUT

* DIMENSIONS APPLICABLE FOR ROGERS 4350 PCB MATERIAL ONLY

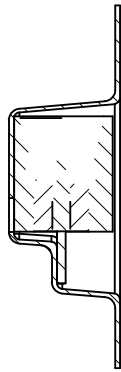
73415-5721	ONE PER BAG
73415-5720	TAPE & REEL
PART NO.	PACKAGING

PS-89675-3320	PRODUCT SPECIFICATION
SPECIFICATION	DESCRIPTION

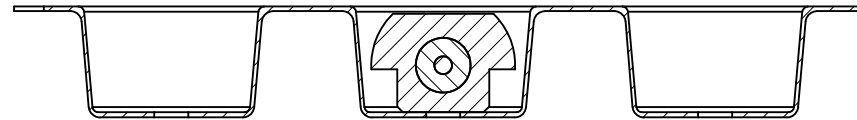
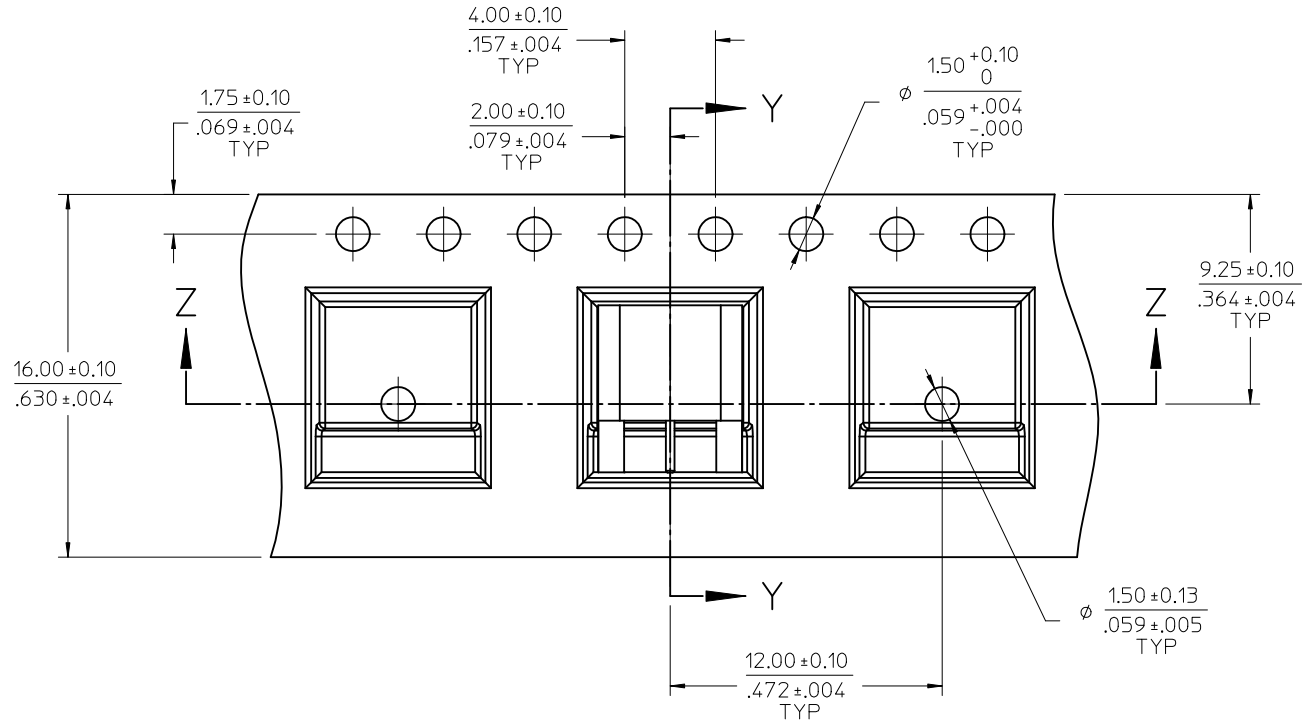
CHG: ADD -5721 EC NO: URF2012-0435 DRWN:JIENER 2012/01/30 CHKD:SSS 2012/01/30 APPR:JIENER 2012/01/31	QUALITY SYMBOLS ▽=0 ▽=0	GENERAL TOLERANCES (UNLESS SPECIFIED) 4 PLACES ± --- ± --- 3 PLACES ± --- ± --- 2 PLACES ± --- ± --- 1 PLACE ± --- ± --- ANGULAR ± 2°	DIMENSION STYLE MM/IN DRAWN BY: JM DATE: 2005/12/12 CHECKED BY: JM DATE: 2005/12/12 APPROVED BY: JDW DATE: 2005/12/12	SCALE: DESIGN UNITS: METRIC THIRD ANGLE PROJECTION	TITLE: SMP PLUG, PCB EDGEMOUNT FULL DETENT, 50 OHMS EWR-2973, SMP-P/PCB MOLEX INCORPORATED	MATERIAL NO.: SEE TABLE DOCUMENT NO.: SD-73415-572 SHEET NO.: 1 OF 3
		DRAFT WHERE APPLICABLE MUST REMAIN WITHIN DIMENSIONS		THIS DRAWING CONTAINS INFORMATION THAT IS PROPRIETARY TO MOLEX INCORPORATED AND SHOULD NOT BE USED WITHOUT WRITTEN PERMISSION		

NOTE:

1. 10 PITCHES CUMULATIVE TOLERANCE ±0.20(.008)

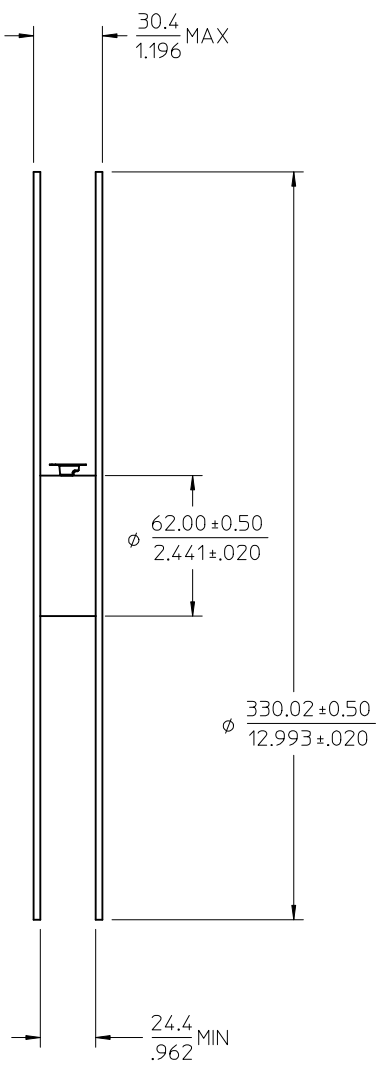


SECTION Y-Y

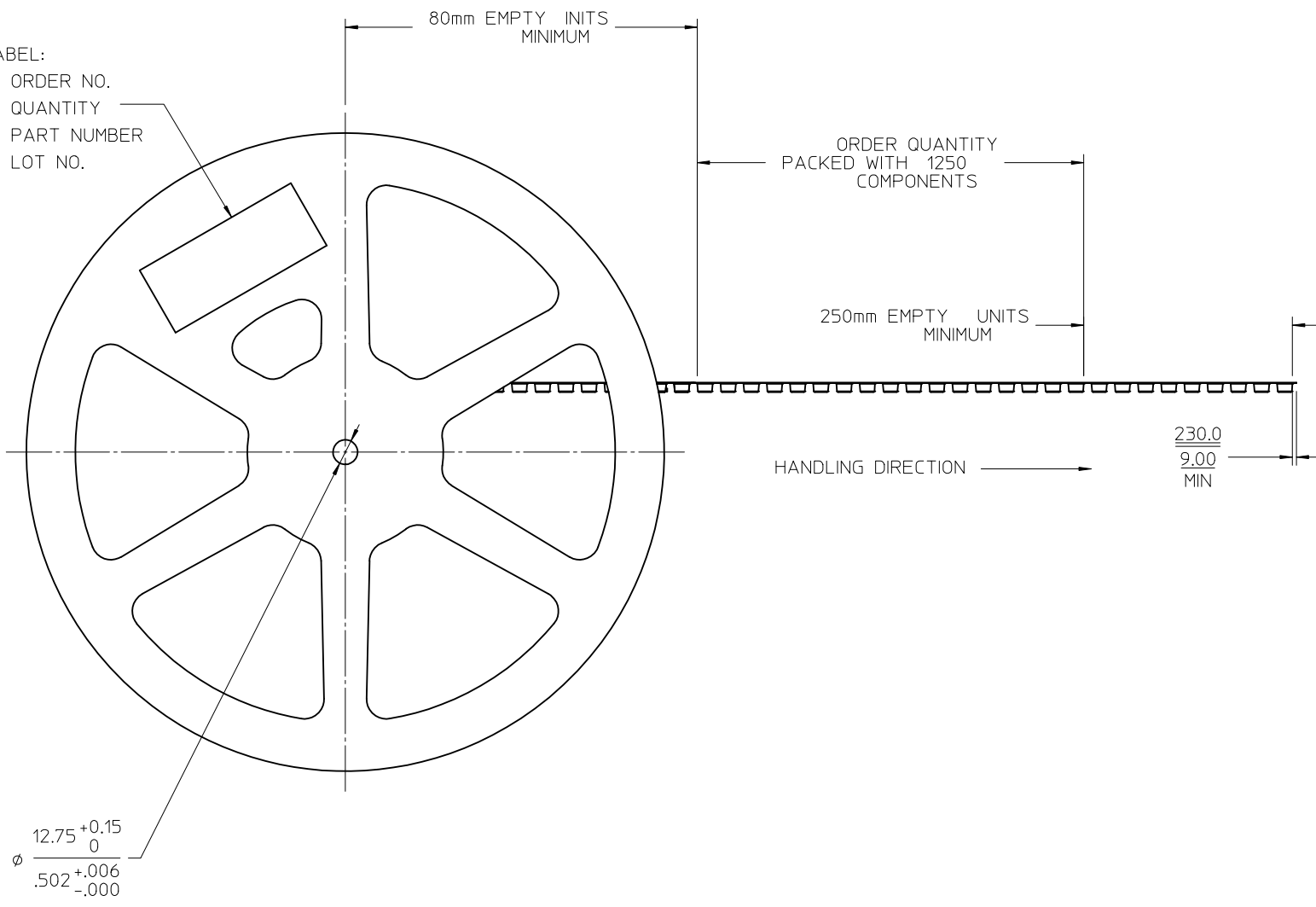


SECTION Z-Z

SEE SHEET 1 EC NO: URF2012-0435 DRWN: JWIENER 2012/01/30 CHKD: SSS 2012/01/30 APPR: JWIENER 2012/01/31	QUALITY SYMBOLS ▽=0 ▽=0	GENERAL TOLERANCES (UNLESS SPECIFIED)		DIMENSION STYLE MM/IN	SCALE METRIC	THIRD ANGLE PROJECTION
		4 PLACES ± --- ± --- 3 PLACES ± --- ± --- 2 PLACES ± --- ± --- 1 PLACE ± --- ± ---	mm INCH	DRAWN BY JM DATE 2005/12/12	TITLE SMP PLUG, PCB EDGEMOUNT FULL DETENT, 50 OHMS EWR-2973, SMP-P/PCB	
		ANGULAR ± 2 °		CHECKED BY JM DATE 2005/12/12	APPROVED BY JDW DATE 2005/12/12	
		DRAFT WHERE APPLICABLE MUST REMAIN WITHIN DIMENSIONS		MATERIAL NO. 734155720	DOCUMENT NO. SD-73415-572	
B1	REV	THIS DRAWING CONTAINS INFORMATION THAT IS PROPRIETARY TO MOLEX INCORPORATED AND SHOULD NOT BE USED WITHOUT WRITTEN PERMISSION		SHEET NO. 2 OF 3		



LABEL:
 - ORDER NO.
 - QUANTITY
 - PART NUMBER
 - LOT NO.



SEE SHEET 1 EC NO: URF2012-0435 DRWN: JWIENER 2012/01/30 CHKD: SSS 2012/01/30 APPR: JWIENER 2012/01/31	QUALITY SYMBOLS	GENERAL TOLERANCES (UNLESS SPECIFIED)	DIMENSION STYLE	SCALE	DESIGN UNITS	THIRD ANGLE PROJECTION
	$\nabla=0$ $\nabla=0$	mm INCH	MM/IN	METRIC		
		4 PLACES ± --- ± ---	DRAWN BY DATE	TITLE		
		3 PLACES ± --- ± ---	JM 2005/12/12	SMP PLUG, PCB EDGEMOUNT		
	2 PLACES ± --- ± ---	CHECKED BY DATE	FULL DETENT, 50 OHMS			
	1 PLACE ± --- ± ---	JM 2005/12/12	EWR-2973, SMP-P/PCB			
	ANGULAR ± 2 °	APPROVED BY DATE	MOLEX INCORPORATED			
	DRAFT WHERE APPLICABLE MUST REMAIN WITHIN DIMENSIONS	JDW 2005/12/12	MATERIAL NO.	DOCUMENT NO.	SHEET NO.	
B1			734155720	SD-73415-572	3 OF 3	
		THIS DRAWING CONTAINS INFORMATION THAT IS PROPRIETARY TO MOLEX INCORPORATED AND SHOULD NOT BE USED WITHOUT WRITTEN PERMISSION				