



Chipsmall Limited consists of a professional team with an average of over 10 year of expertise in the distribution of electronic components. Based in Hongkong, we have already established firm and mutual-benefit business relationships with customers from,Europe,America and south Asia,supplying obsolete and hard-to-find components to meet their specific needs.

With the principle of "Quality Parts,Customers Priority,Honest Operation,and Considerate Service",our business mainly focus on the distribution of electronic components. Line cards we deal with include Microchip,ALPS,ROHM,Xilinx,Pulse,ON,Everlight and Freescale. Main products comprise IC,Modules,Potentiometer,IC Socket,Relay,Connector.Our parts cover such applications as commercial,industrial, and automotives areas.

We are looking forward to setting up business relationship with you and hope to provide you with the best service and solution. Let us make a better world for our industry!



Contact us

Tel: +86-755-8981 8866 Fax: +86-755-8427 6832

Email & Skype: info@chipsmall.com Web: www.chipsmall.com

Address: A1208, Overseas Decoration Building, #122 Zhenhua RD., Futian, Shenzhen, China



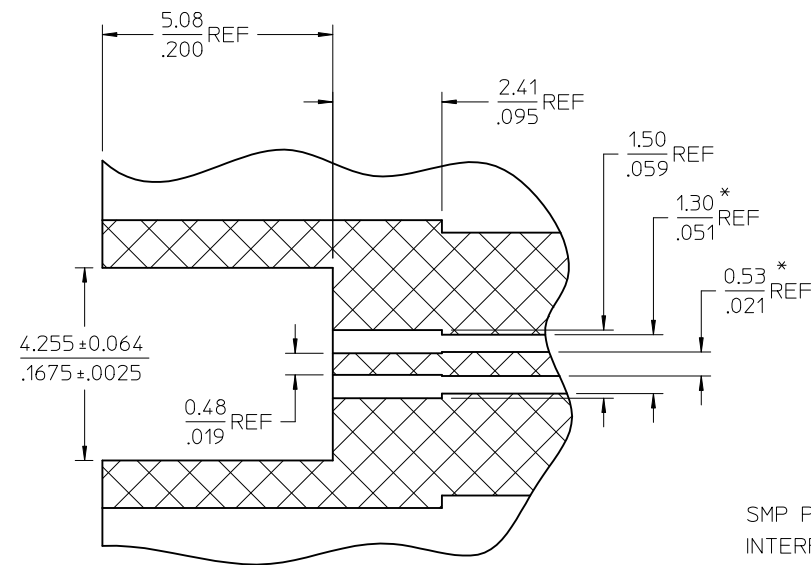
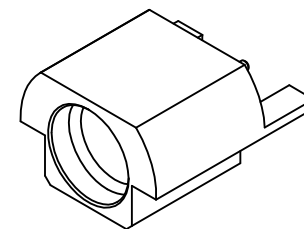
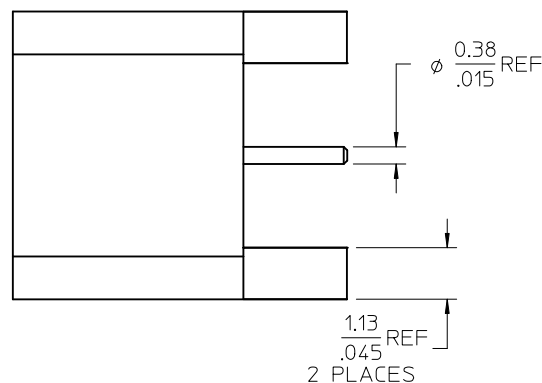
MATERIALS AND FINISHES

BODY BRASS
PLATED GOLD

CENTER CONTACT BRASS
PLATED GOLD

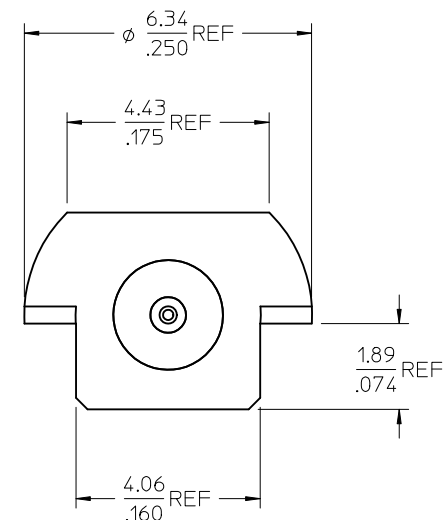
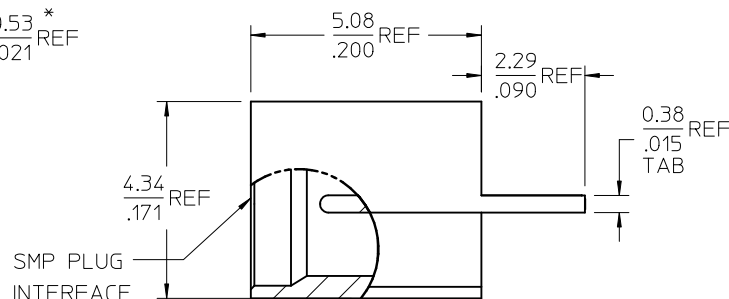
INSULATOR TEFLON

QUANTITY IN TAPE: 1250 COMPONENTS



RECOMMENDED PCB LAYOUT

* DIMENSIONS APPLICABLE FOR ROGERS 4350
PCB MATERIAL ONLY



PS-89675-3320	PRODUCT SPECIFICATION
SPECIFICATION	DESCRIPTION

73415-5741	ONE PER BAG
73415-5740	TAPE & REEL
PART NO.	PACKAGING

CHG: ADD -5741
EC NO: URF2012-0435
DRWN:JWIENER 2012/01/30
CHKD:SSS 2012/01/30
APPR:JWIENER 2012/01/31

QUALITY SYMBOLS
▽=0
▽=0

GENERAL TOLERANCES (UNLESS SPECIFIED)

	mm	INCH
4 PLACES ±	----	±----
3 PLACES ±	----	±----
2 PLACES ±	----	±----
1 PLACE ±	----	±----

ANGULAR ± 2 °

DRAFT WHERE APPLICABLE
MUST REMAIN
WITHIN DIMENSIONS

DIMENSION STYLE
MM/IN

DRAWN BY DATE
TEF 2005/12/16

CHECKED BY DATE
SSS 2005/12/16

APPROVED BY DATE
JDW 2005/12/16

MATERIAL NO.
SEE TABLE

SIZE
C

SCALE DESIGN UNITS
THIRD ANGLE PROJECTION

TITLE
SMP PLUG, EDMOUNT
SMOOTH BORE, 50 OHMS
EWR-2977 SMP-BP/PCB

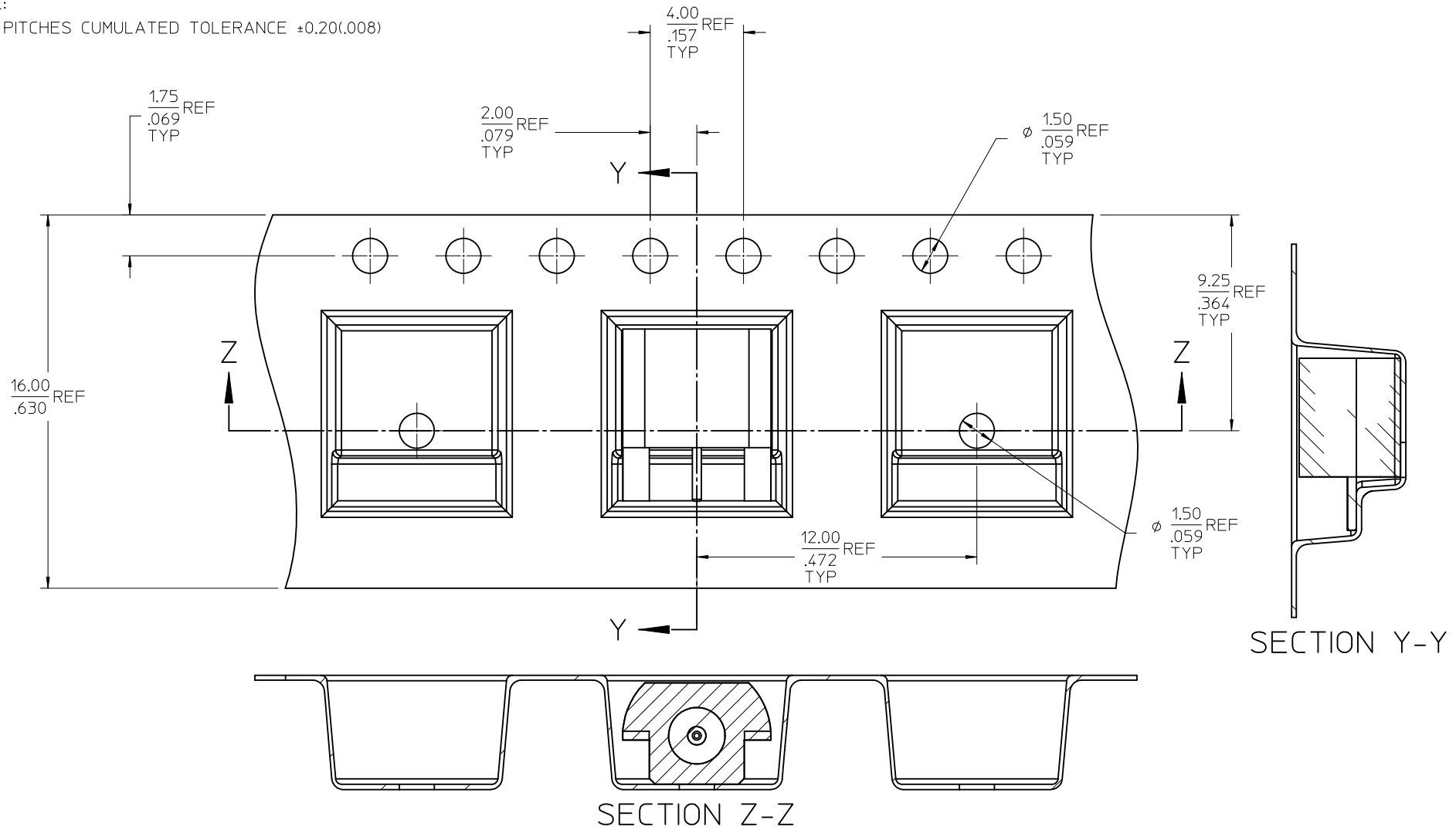
MOLEX MOLEX INCORPORATED

DOCUMENT NO.
SD-73415-574

SHEET NO.
1 OF 2

THIS DRAWING CONTAINS INFORMATION THAT IS PROPRIETARY TO MOLEX INCORPORATED AND SHOULD NOT BE USED WITHOUT WRITTEN PERMISSION

NOTE:
1. 10 PITCHES CUMULATED TOLERANCE $\pm 0.20(.008)$



CHG: SEE SHEET 1 EC NO: URF2012-0435 DRWN: JWIENER 2012/01/30 CHKD: SSS 2012/01/30 APPR: JWIENER 2012/01/31	QUALITY SYMBOLS $\nabla=0$ $\nabla=0$	GENERAL TOLERANCES (UNLESS SPECIFIED)		DIMENSION STYLE	SCALE	DESIGN UNITS	THIRD ANGLE PROJECTION	
				MM/IN		METRIC		
				DRAWN BY	DATE	TITLE		
				CHECKED BY	DATE	SMP PLUG, EDMOUNT SMOOTH BORE, 50 OHMS EWR-2977 SMP-BP/PCB		
B2	DRAFT WHERE APPLICABLE MUST REMAIN WITHIN DIMENSIONS	ANGULAR $\pm 2^\circ$		APPROVED BY	DATE	MOLEX INCORPORATED		
				JDW	2005/12/16	MOLEX INCORPORATED		
				MATERIAL NO.	DOCUMENT NO.	SHEET NO.		
		SEE SHEET 1		SD-73415-574		2 OF 2		
THIS DRAWING CONTAINS INFORMATION THAT IS PROPRIETARY TO MOLEX INCORPORATED AND SHOULD NOT BE USED WITHOUT WRITTEN PERMISSION								