



Chipsmall Limited consists of a professional team with an average of over 10 year of expertise in the distribution of electronic components. Based in Hongkong, we have already established firm and mutual-benefit business relationships with customers from,Europe,America and south Asia,supplying obsolete and hard-to-find components to meet their specific needs.

With the principle of “Quality Parts,Customers Priority,Honest Operation,and Considerate Service”,our business mainly focus on the distribution of electronic components. Line cards we deal with include Microchip,ALPS,ROHM,Xilinx,Pulse,ON,Everlight and Freescale. Main products comprise IC,Modules,Potentiometer,IC Socket,Relay,Connector.Our parts cover such applications as commercial,industrial, and automotives areas.

We are looking forward to setting up business relationship with you and hope to provide you with the best service and solution. Let us make a better world for our industry!



## Contact us

Tel: +86-755-8981 8866 Fax: +86-755-8427 6832

Email & Skype: info@chipsmall.com Web: www.chipsmall.com

Address: A1208, Overseas Decoration Building, #122 Zhenhua RD., Futian, Shenzhen, China



MATERIAL AND FINISHES:

SEE SD-85305-0232

P/N: 73415-6180: THIS IS P/N: 85305-0232 PLACED IN A SINGLE BAG  
 73415-6181: THIS IS P/N: 85305-0232 PLACED IN TAPE AND REEL WITH KAPTON TAPE

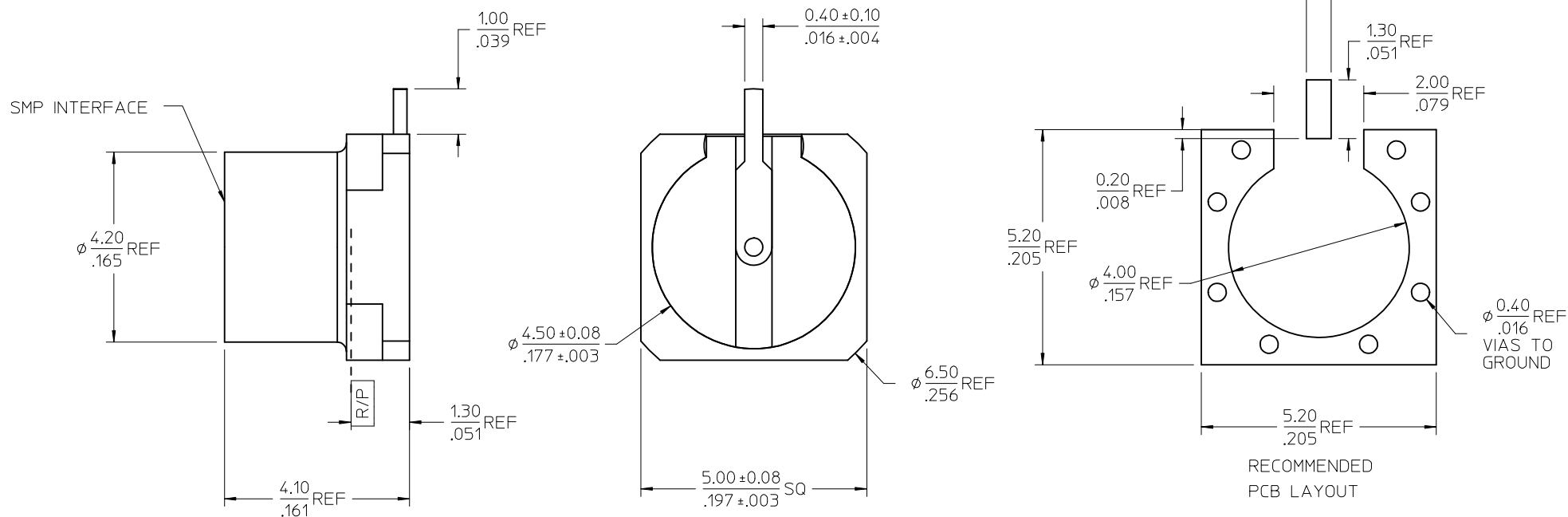
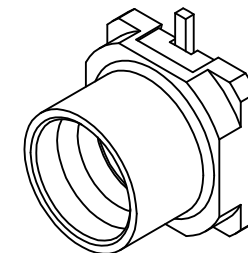
CHG: ADDED-6181 EC NO: URF2010-0353 DRWN: JLEE02 2009/12/15 CHKD: SSS 2009/12/15 APPR: WIENER 2009/12/15	DESCRIPTION REV A1	QUALITY SYMBOLS ▼=0 ▽=0	GENERAL TOLERANCES (UNLESS SPECIFIED) <table border="1"> <thead> <tr> <th></th> <th>mm</th> <th>INCH</th> </tr> </thead> <tbody> <tr> <td>4 PLACES</td> <td>± .---</td> <td>± .---</td> </tr> <tr> <td>3 PLACES</td> <td>± .---</td> <td>± .---</td> </tr> <tr> <td>2 PLACES</td> <td>± .---</td> <td>± .---</td> </tr> <tr> <td>1 PLACE</td> <td>± .---</td> <td>± .---</td> </tr> </tbody> </table> ANGULAR ± 2 °		mm	INCH	4 PLACES	± .---	± .---	3 PLACES	± .---	± .---	2 PLACES	± .---	± .---	1 PLACE	± .---	± .---	DIMENSION STYLE MM/IN DRAWN BY DATE SSS 2007/05/11 CHECKED BY DATE AZR 2007/05/11 APPROVED BY DATE JDW 2007/05/11	SCALE DESIGN UNITS METRIC	THIRD ANGLE PROJECTION
			mm	INCH																	
		4 PLACES	± .---	± .---																	
		3 PLACES	± .---	± .---																	
2 PLACES	± .---	± .---																			
1 PLACE	± .---	± .---																			
DRAFT WHERE APPLICABLE MUST REMAIN WITHIN DIMENSIONS			MATERIAL NO. 734156180	TITLE SMP, PLUG SMT LIMITED DETENT SMP-P/PCB	MOLEX INCORPORATED																
			SIZE C	DOCUMENT NO. SD-73415-618	SHEET NO. 1 OF 1																
			THIS DRAWING CONTAINS INFORMATION THAT IS PROPRIETARY TO MOLEX INCORPORATED AND SHOULD NOT BE USED WITHOUT WRITTEN PERMISSION																		

MATERIALS AND FINISHES:

INNER & OUTER CONTACT: BRASS  
 PLATED: GOLD (30μ-in) MIN  
 OVER NICKEL (100μ-in) MIN.

INSULATOR: LCP  
 UL FLAMMABILITY RATING 94 V-0

TAPE: SHEET 2  
 REEL: SHEET 3



MIL-STD-348B, FIG. 326.3	INTERFACE
SPECIFICATION	DESCRIPTION

73415-6181	TAPE AND REEL WITH KAPTON TAPE
73415-6180	85305-0232, ONE PER BAG
85305-0232	TAPE AND REEL
PART NO.	PACKAGING

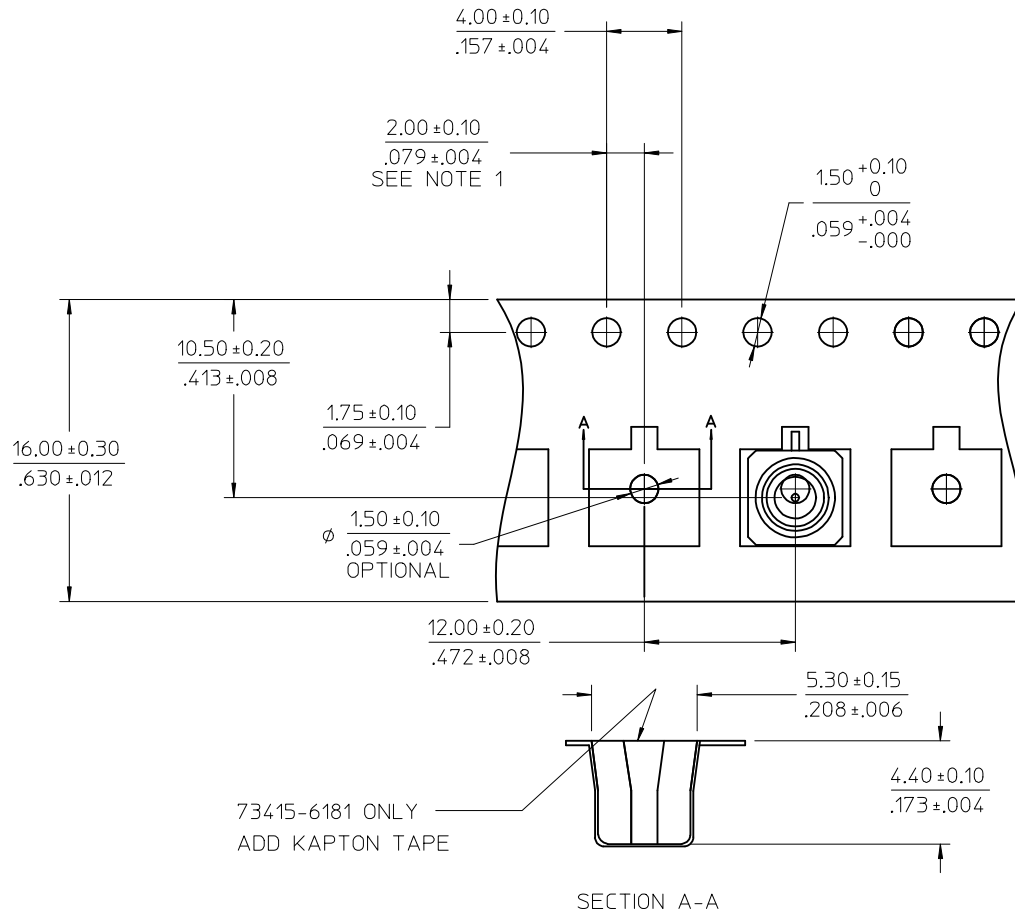
CHG: ADD GENERAL TOLERANCE VALUES & UPD MIL SPEC TO REV B. UPDATED DIMS TOLERANCED OR REF VALUES.	EC NO: URF2016-0187	2015/09/02
DRWINAPRAKASHO1	2015/09/02	CHKD:LLM
APPR:AROBERTSON	2015/09/11	DESCRIPTION
B9	REV	

QUALITY SYMBOLS	▽=0
	▽=0

GENERAL TOLERANCES (UNLESS SPECIFIED)	DIMENSION STYLE	SCALE	DESIGN UNITS	THIRD ANGLE PROJECTION
	MM/IN		METRIC	
4 PLACES ± ---	± ---	DRAWN BY	TITLE	
3 PLACES ± ---	± 0.010	LMB	SMP, PLUG SMT	
2 PLACES ± 0.25	± ---	CHECKED BY	LIMITED DETENT	
1 PLACE ± ---	± ---	GMH	SMP-P/PCB	
ANGULAR ± 2 °		APPROVED BY	DATE	
		GMH	2005/07/29	
DRAFT WHERE APPLICABLE MUST REMAIN WITHIN DIMENSIONS	MATERIAL NO.	DOCUMENT NO.		
	SEE TABLE	SD-85305-0232		
	SIZE	THIS DRAWING CONTAINS INFORMATION THAT IS PROPRIETARY TO MOLEX INCORPORATED AND SHOULD NOT BE USED WITHOUT WRITTEN PERMISSION		

MATERIAL NO.		DOCUMENT NO.		SHEET NO.
SEE TABLE		SD-85305-0232		1 OF 3
THIS DRAWING CONTAINS INFORMATION THAT IS PROPRIETARY TO MOLEX INCORPORATED AND SHOULD NOT BE USED WITHOUT WRITTEN PERMISSION				

NOTE:  
1. 10 PITCHES CUMULATIVE TOLERANCE ±0.20(.008)



CHG: SEE SHEET 1  
EC NO: URF2016-0187  
DRW:APRAKASH01 2015/09/02  
CHK:DLIM 2015/09/02  
APPR:AROBERTSON 2015/09/11

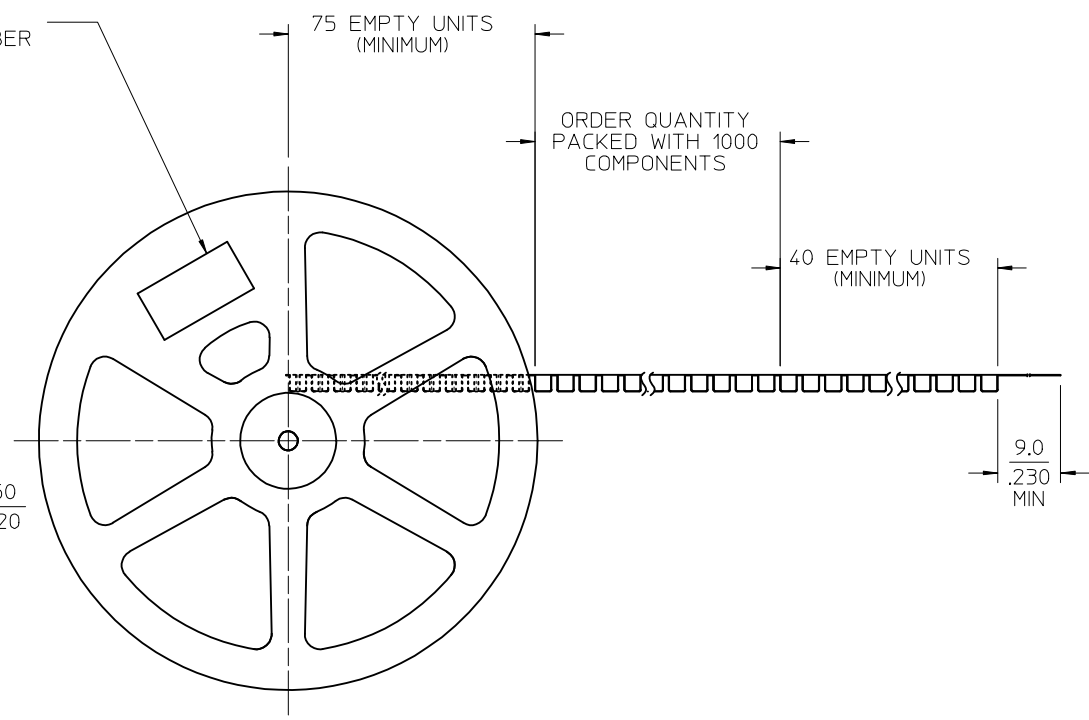
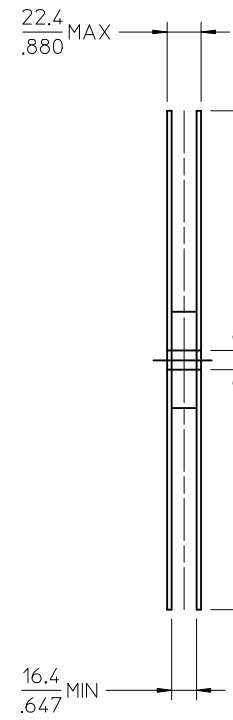
REV	DESCRIPTION
B9	

QUALITY SYMBOLS	
	=0
	=0

GENERAL TOLERANCES (UNLESS SPECIFIED)	
	mm
	INCH
4 PLACES	± .010
3 PLACES	± .010
2 PLACES	± 0.25
1 PLACE	± .010
ANGULAR ± 2°	

DIMENSION STYLE		SCALE	DESIGN UNITS	THIRD ANGLE PROJECTION
MM/IN			METRIC	
DRAWN BY	DATE	TITLE		
LMB	2005/07/29	SMP, PLUG SMT LIMITED DETENT SMP-P/PCB		
CHECKED BY	DATE	MOLEX INCORPORATED		
GMH	2005/07/29	MATERIAL NO. SEE SHEET 1		
APPROVED BY	DATE	DOCUMENT NO. SD-85305-0232		
GMH	2005/07/29	SHEET NO. 2 OF 3		
DRAFT WHERE APPLICABLE MUST REMAIN WITHIN DIMENSIONS				
THIS DRAWING CONTAINS INFORMATION THAT IS PROPRIETARY TO MOLEX INCORPORATED AND SHOULD NOT BE USED WITHOUT WRITTEN PERMISSION				

LABEL:  
 - ORDER NO.  
 - QUANTITY  
 - PART NUMBER  
 - LOT NO.



CHG: SEE SHEET 1	QUALITY SYMBOLS
EC NO: URF2016-0187	▼=0
DRWN:APRAKASHO1 2015/09/02	▽=0
CHKD:LLM 2015/09/02	
APPR:AROBERTSON 2015/09/11	
REV	DESCRIPTION
B9	

GENERAL TOLERANCES (UNLESS SPECIFIED)	
	mm INCH
4 PLACES ± ---	± ---
3 PLACES ± ---	± 0.010
2 PLACES ± 0.25	± ---
1 PLACE ± ---	± ---
ANGULAR ± 2 °	
DRAFT WHERE APPLICABLE MUST REMAIN WITHIN DIMENSIONS	

DIMENSION STYLE	
MM/IN	
DRAWN BY	DATE
LMB	2005/07/29
CHECKED BY	DATE
GMH	2005/07/29
APPROVED BY	DATE
GMH	2005/07/29
MATERIAL NO.	
SEE SHEET 1	
SIZE	
C	

SCALE	DESIGN UNITS	THIRD ANGLE PROJECTION
	METRIC	
TITLE		
SMP, PLUG SMT LIMITED DETENT SMP-P/PCB		
MOLEX INCORPORATED		SHEET NO.
DOCUMENT NO.		3 OF 3
SD-85305-0232		
THIS DRAWING CONTAINS INFORMATION THAT IS PROPRIETARY TO MOLEX INCORPORATED AND SHOULD NOT BE USED WITHOUT WRITTEN PERMISSION		