



Chipsmall Limited consists of a professional team with an average of over 10 year of expertise in the distribution of electronic components. Based in Hongkong, we have already established firm and mutual-benefit business relationships with customers from,Europe,America and south Asia,supplying obsolete and hard-to-find components to meet their specific needs.

With the principle of “Quality Parts,Customers Priority,Honest Operation,and Considerate Service”,our business mainly focus on the distribution of electronic components. Line cards we deal with include Microchip,ALPS,ROHM,Xilinx,Pulse,ON,Everlight and Freescale. Main products comprise IC,Modules,Potentiometer,IC Socket,Relay,Connector.Our parts cover such applications as commercial,industrial, and automotives areas.

We are looking forward to setting up business relationship with you and hope to provide you with the best service and solution. Let us make a better world for our industry!



Contact us

Tel: +86-755-8981 8866 Fax: +86-755-8427 6832

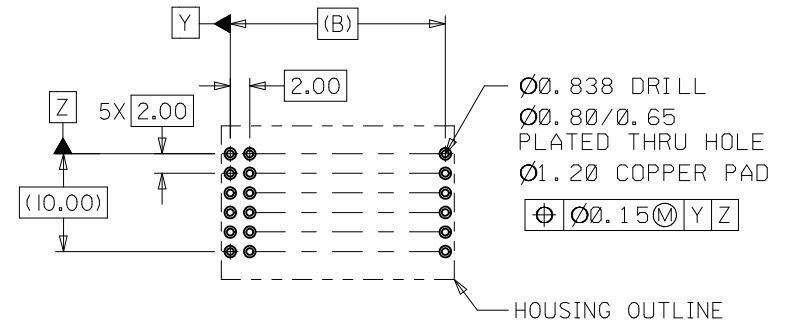
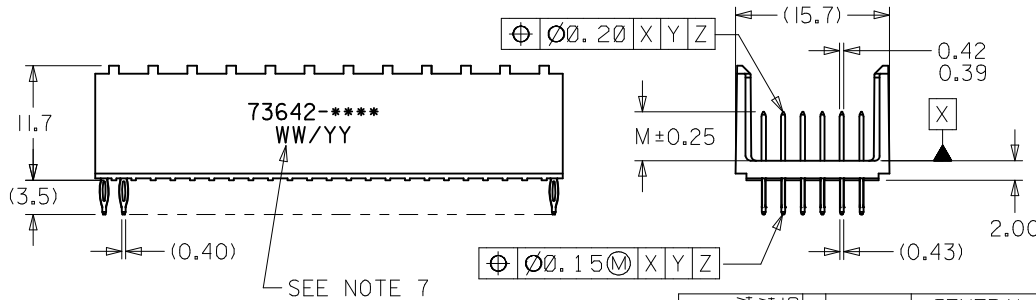
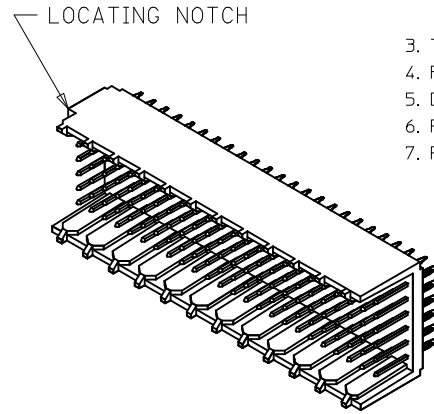
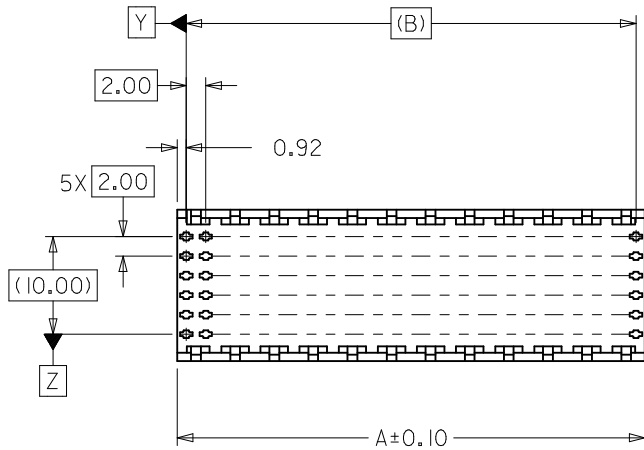
Email & Skype: info@chipsmall.com Web: www.chipsmall.com

Address: A1208, Overseas Decoration Building, #122 Zhenhua RD., Futian, Shenzhen, China



NOTES:

1. MATERIALS: HOUSING - LIQUID CRYSTAL POLYMER (LCP)
GLASS-FILLED, UL 94V-0, COLOR: BLACK.
TERMINAL - PHOSPHOR BRONZE.
2. FINISH: SELECTIVE GOLD (Au) IN CONTACT AREA, 0.76 MICROMETERS MINIMUM THICKNESS;
NICKEL (Ni) AND GOLD FLASH OVERALL.
SELECTIVE GOLD (Au) IN CONTACT AREA, 0.76 MICROMETERS MINIMUM THICKNESS;
SELECTIVE MATTE TIN (Sn) ON IN TAIL AREA.
NICKEL (Ni) OVERALL.
3. THIS PART CONFORMS TO MOLEX PRODUCT SPECIFICATION PS-73670-9999.
4. FOR MIXED CONTACT MATING LENGTHS, CONSULT FACTORY FOR AVAILABILITY.
5. DIMENSIONS ARE IN MILLIMETERS.
6. PACKAGE PER 70873-0818.
7. PARTS MARKED WITH PART NUMBER AND DATE CODE ON EITHER SIDE, APPROXIMATELY WHERE SHOWN.



PCB LAYOUT: COMPONENT SIDE
RECOMMENDED PCB THICKNESS: 2.50 MIN.

LEAD FREE CONVERSION EC NO: UCP2013-3253 DRAWN BY: DRWHIPPLE 2013/02/04 CHKD: MWOLFE 2013/02/04 APPR: SMILLER 2013/08/05	QUALITY SYMBOLS ▽/0 ▽/0 ▽/0	GENERAL TOLERANCES (UNLESS SPECIFIED)		DIMENSION STYLE MM ONLY		SCALE 2:1	DESIGN UNITS METRIC	THIRD ANGLE PROJECTION	
		4 PLACES ± --- ± ---	mm INCH	DRAWN BY RWHIPPLE	DATE 2013/02/04	TITLE SALES ASSEMBLY HDM BACKPLANE MODULE OPEN END OPTION			
		3 PLACES ± --- ± ---		CHECKED BY SMR/CAB	DATE 96/12/18	molex			
		2 PLACES ± 0.05 ± ---		APPROVED BY SMILLER	DATE 2013/08/05	MATERIAL NO. SEE SHEET 2	DOCUMENT NO. SDA-73642-****	SHEET NO. 1 OF 2	
		ANGULAR ±1/2° DRAFT WHERE APPLICABLE MUST REMAIN WITHIN DIMENSIONS		THIS DRAWING CONTAINS INFORMATION THAT IS PROPRIETARY TO MOLEX INCORPORATED AND SHOULD NOT BE USED WITHOUT WRITTEN PERMISSION					

10 9 8 7 6 5 4 3 2 1

MATERIAL NUMBER	NUMBER OF SIGNAL CONTACTS	PLATING	DIM "A"	DIM "B"	DIM "M"
73642-0000	72	SELECTIVE GOLD/GOLD FLASH	23.84	22.00	5.00
73642-0100	72	SELECTIVE GOLD/GOLD FLASH	23.84	22.00	5.50
73642-0200	72	SELECTIVE GOLD/GOLD FLASH	23.84	22.00	6.00
73642-1000	144	SELECTIVE GOLD/GOLD FLASH	47.84	46.00	5.00
73642-1100	144	SELECTIVE GOLD/GOLD FLASH	47.84	46.00	5.50
73642-1200	144	SELECTIVE GOLD/GOLD FLASH	47.84	46.00	6.00
73642-2000	72	*SELECTIVE GOLD/MATTE TIN	23.84	22.00	5.00
73642-2100	72	*SELECTIVE GOLD/MATTE TIN	23.84	22.00	5.50
73642-2200	72	*SELECTIVE GOLD/MATTE TIN	23.84	22.00	6.00
73642-3000	144	*SELECTIVE GOLD/MATTE TIN	47.84	46.00	5.00
73642-3100	144	*SELECTIVE GOLD/MATTE TIN	47.84	46.00	5.50
73642-3200	144	*SELECTIVE GOLD/MATTE TIN	47.84	46.00	6.00

*FORMERLY TIN/LEAD

SEE SHEET 1 EC NO: UCP2013-3253 DRWN:RWHIPPLE 2013/02/04 CHKD:MWOLFE 2013/02/04 APPR:SMILLER 2013/08/05	DESCRIPTION J	QUALITY SYMBOLS	GENERAL TOLERANCES (UNLESS SPECIFIED)	DIMENSION STYLE	SCALE	DESIGN UNITS	THIRD ANGLE PROJECTION
		$\nabla = 0$ $\nabla = 0$ $\nabla = 0$	mm INCH 4 PLACES ± --- ± --- 3 PLACES ± --- ± --- 2 PLACES ± 0.05 ± --- 1 PLACE ± 0.10 ± --- 0 PLACE ± --- ± ---	MM ONLY	1:1	METRIC	TITLE SALES ASSEMBLY HDM BACKPLANE MODULE OPEN END OPTION molex DOCUMENT NO. SDA-73642-**** SHEET NO. 2 OF 2
		DRAWN BY: RWHIPPLE DATE: 2013/02/04 CHECKED BY: SMR/CAB DATE: 96/12/18 APPROVED BY: SMILLER DATE: 2013/08/05	MATERIAL NO. SEE CHART SIZE B	ANGULAR ± 1/2° DRAFT WHERE APPLICABLE MUST REMAIN WITHIN DIMENSIONS	THIS DRAWING CONTAINS INFORMATION THAT IS PROPRIETARY TO MOLEX INCORPORATED AND SHOULD NOT BE USED WITHOUT WRITTEN PERMISSION		

9 8 7 6 5 4 3 2 1