



Chipsmall Limited consists of a professional team with an average of over 10 year of expertise in the distribution of electronic components. Based in Hongkong, we have already established firm and mutual-benefit business relationships with customers from,Europe,America and south Asia,supplying obsolete and hard-to-find components to meet their specific needs.

With the principle of "Quality Parts,Customers Priority,Honest Operation,and Considerate Service",our business mainly focus on the distribution of electronic components. Line cards we deal with include Microchip,ALPS,ROHM,Xilinx,Pulse,ON,Everlight and Freescale. Main products comprise IC,Modules,Potentiometer,IC Socket,Relay,Connector.Our parts cover such applications as commercial,industrial, and automotives areas.

We are looking forward to setting up business relationship with you and hope to provide you with the best service and solution. Let us make a better world for our industry!



Contact us

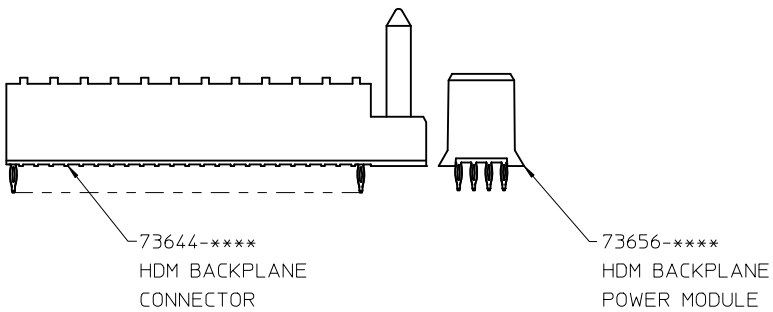
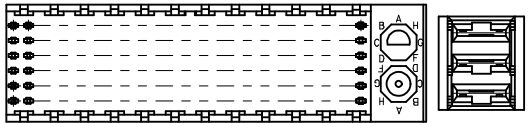
Tel: +86-755-8981 8866 Fax: +86-755-8427 6832

Email & Skype: info@chipsmall.com Web: www.chipsmall.com

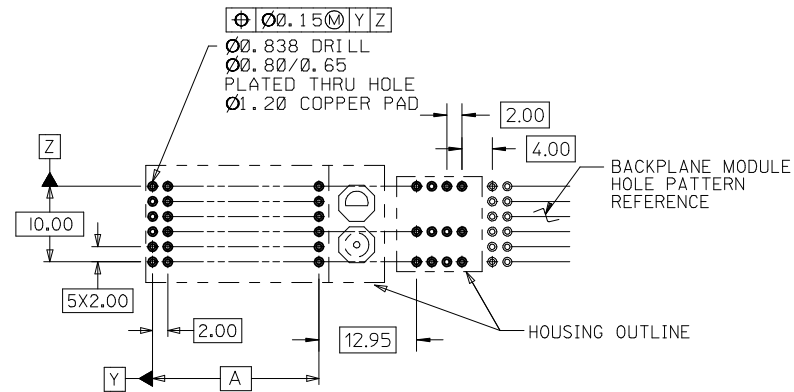
Address: A1208, Overseas Decoration Building, #122 Zhenhua RD., Futian, Shenzhen, China



NOTES:
 1. SEE SD-73644-**** FOR ADDITIONAL INFORMATION FOR THE 73644 BACKPLANE MODULE.
 2. SEE SD-73656-*00* FOR ADDITIONAL INFORMATION FOR THE 73656 MODULE.

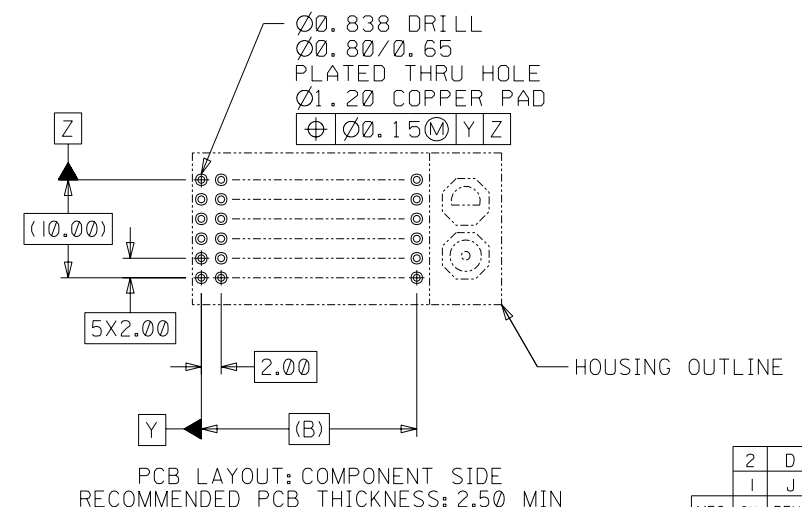
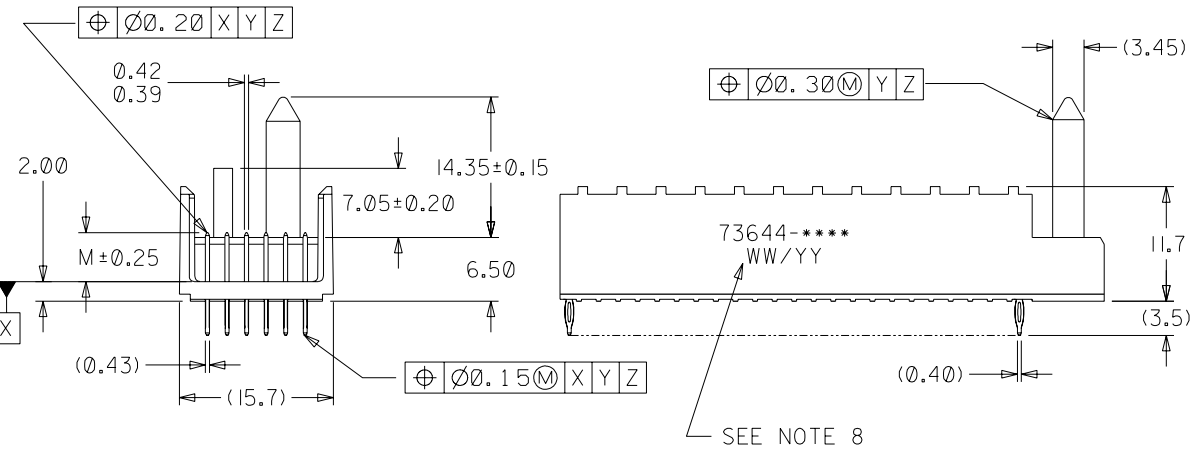
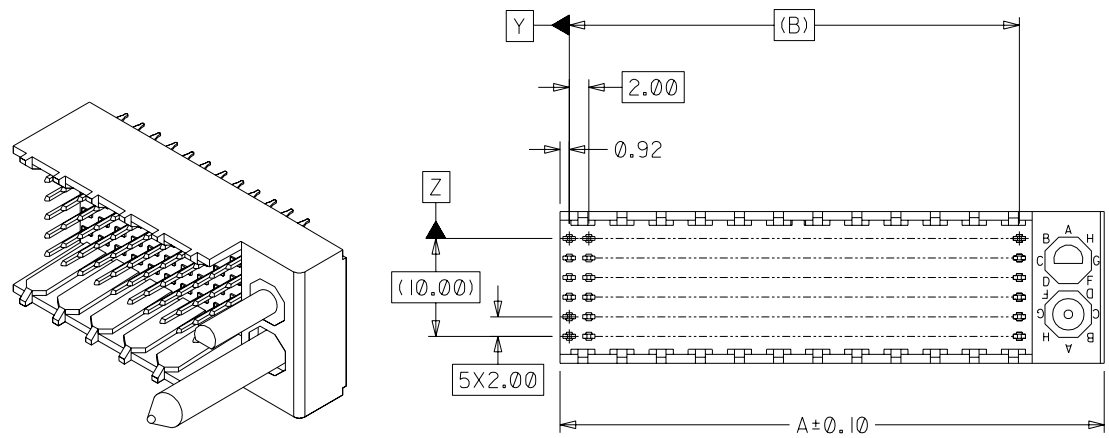


MATERIAL NUMBER	NUMBER OF SIGNAL CONTACTS	DIM "A"
73644-00**	72	22.00
73644-01**	72	22.00
73644-02**	72	22.00
73644-10**	144	46.00
73644-11**	144	46.00
73644-12**	144	46.00
73644-20**	72	22.00
73644-21**	72	22.00
73644-22**	72	22.00
73644-30**	144	46.00
73644-31**	144	46.00
73644-32**	144	46.00



INITIAL RELEASE EC NO: UCP2009-3131 DRW:SDANNELLEY 2009/08/05 CHKD:BSMART 2009/08/06 APPR:SMILLER 2009/08/07	QUALITY SYMBOLS ▽=0 ▽=0	GENERAL TOLERANCES (UNLESS SPECIFIED) <table border="1"> <thead> <tr> <th></th> <th>mm</th> <th>INCH</th> </tr> </thead> <tbody> <tr><td>4 PLACES</td><td>±.005</td><td>±.002</td></tr> <tr><td>3 PLACES</td><td>±.005</td><td>±.002</td></tr> <tr><td>2 PLACES</td><td>±.013</td><td>±.005</td></tr> <tr><td>1 PLACE</td><td>±.025</td><td>±.010</td></tr> </tbody> </table> ANGULAR ±1/2°		mm	INCH	4 PLACES	±.005	±.002	3 PLACES	±.005	±.002	2 PLACES	±.013	±.005	1 PLACE	±.025	±.010	DIMENSION STYLE MM ONLY DRAWN BY DATE SDANNELLEY 2009/06/26 CHECKED BY DATE BSMART 2009/06/26 APPROVED BY DATE SMILLER 2009/06/26	SCALE 2:1 DESIGN UNITS METRIC THIRD ANGLE PROJECTION	TITLE PCB LAYOUT FOR 73644 AND 73659 CONNECTORS USED IN CONJUNCTION MOLEX INCORPORATED	SHEET NO. 1 OF 1
		mm	INCH																		
	4 PLACES	±.005	±.002																		
	3 PLACES	±.005	±.002																		
2 PLACES	±.013	±.005																			
1 PLACE	±.025	±.010																			
DRAFT WHERE APPLICABLE MUST REMAIN WITHIN DIMENSIONS	MATERIAL NO. N/A	DOCUMENT NO. SD-73644-004	THIS DRAWING CONTAINS INFORMATION THAT IS PROPRIETARY TO MOLEX INCORPORATED AND SHOULD NOT BE USED WITHOUT WRITTEN PERMISSION																		

- NOTES:**
1. MATERIALS: HOUSING - LIQUID CRYSTAL POLYMER (LCP), GLASS-FILLED, UL94V-0, COLOR: BLACK, TERMINAL - PHOSPHOR BRONZE.
 2. FINISHES: SELECTIVE GOLD (Au) IN CONTACT AREA, 0.00076mm MINIMUM THICKNESS; NICKEL (Ni) AND GOLD FLASH OVERALL SELECTIVE GOLD (Au) IN CONTACT AREA, 0.00076mm MIN. THICKNESS; SELECTIVE TIN/LEAD (Sb/Pb) IN TAIL AREA; NICKEL (Ni) OVERALL.
 3. THIS PART CONFORMS TO MOLEX PRODUCT SPECIFICATION PS-73670-9999.
 4. FOR MIXED CONTACT MATING LENGTHS, CONSULT FACTORY FOR AVAILABILITY.
 5. DIMENSIONS ARE IN MILLIMETERS.
 6. FOR SPECIFIC MATERIAL NUMBERS, REFER TO SHEET 2.
 7. PACKAGE PER PK-70873-0818.
 8. PARTS MARKED WITH PART NUMBER AND DATE CODE, ON EITHER SIDE, APPROXIMATELY WHERE SHOWN.



PCB LAYOUT: COMPONENT SIDE
RECOMMENDED PCB THICKNESS: 2.50 MIN

2	D
1	J
MFG. SH.	REV.

SEE NOTE 8

		I		REVISED ECR UDT2000-0348 BINGHAM 99/10/12		DIMENSIONS SHOWN (METRIC) INCH UNLESS OTHERWISE SPECIFIED TOLERANCES: ANGULAR ± 1/2°		▽ = 0 ▼ = 0 REVISE ONLY ON CAD SYSTEM													
		H		REVISED ECR UDT1999-0662 BINGHAM 99/05/18		<table border="1"> <tr> <th></th> <th>INCH</th> <th>METRIC</th> </tr> <tr> <td>3 PLACE</td> <td>± N/A</td> <td>---</td> </tr> <tr> <td>2 PLACE</td> <td>± N/A</td> <td>± 0.05</td> </tr> <tr> <td>1 PLACE</td> <td>---</td> <td>± 0.10</td> </tr> </table>			INCH	METRIC	3 PLACE	± N/A	---	2 PLACE	± N/A	± 0.05	1 PLACE	---	± 0.10	TITLE SALES ASSY, HDM BACKPLANE MODULE, POLAR/GUIDE OPTION	
	INCH	METRIC																			
3 PLACE	± N/A	---																			
2 PLACE	± N/A	± 0.05																			
1 PLACE	---	± 0.10																			
J		G		REVISED ECR UDT1999-0476 BINGHAM 98/12/21		<table border="1"> <tr> <td>DRWG. BY: JRR</td> <td>CHK'D. BY: SMR</td> </tr> <tr> <td>APP'D. BY: CAB</td> <td>SCALE: 2 : 1</td> </tr> </table>		DRWG. BY: JRR	CHK'D. BY: SMR	APP'D. BY: CAB	SCALE: 2 : 1	<table border="1"> <tr> <td>MOLEX INCORPORATED</td> <td>SHEET NO. 1 OF 2</td> <td>DATE 96/12/18</td> </tr> <tr> <td>LISLE, ILL. 60532</td> <td>U.S.A.</td> <td></td> </tr> </table>		MOLEX INCORPORATED	SHEET NO. 1 OF 2	DATE 96/12/18	LISLE, ILL. 60532	U.S.A.			
DRWG. BY: JRR	CHK'D. BY: SMR																				
APP'D. BY: CAB	SCALE: 2 : 1																				
MOLEX INCORPORATED	SHEET NO. 1 OF 2	DATE 96/12/18																			
LISLE, ILL. 60532	U.S.A.																				
LTR. REVISIONS		LTR. REVISIONS		PART NO. SEE CHART		DRWG. NO. SDA-73644-****		<table border="1"> <tr> <td>FILE NAME: S73644X1 DGN</td> <td>DIV. DA</td> <td>SIZE B</td> </tr> </table>		FILE NAME: S73644X1 DGN	DIV. DA	SIZE B									
FILE NAME: S73644X1 DGN	DIV. DA	SIZE B																			

MATERIAL NUMBER	NUMBER OF SIGNAL CONTACTS	PLATING	DIM "A"	DIM "B"	DIM "M"
73644-00**	72	SELECTIVE GOLD/GOLD FLASH	31.60	22.00	5.00
73644-01**	72	SELECTIVE GOLD/GOLD FLASH	31.60	22.00	5.50
73644-02**	72	SELECTIVE GOLD/GOLD FLASH	31.60	22.00	6.00
73644-10**	144	SELECTIVE GOLD/GOLD FLASH	55.60	46.00	5.00
73644-11**	144	SELECTIVE GOLD/GOLD FLASH	55.60	46.00	5.50
73644-12**	144	SELECTIVE GOLD/GOLD FLASH	55.60	46.00	6.00
73644-20**	72	SELECTIVE GOLD/SELECTIVE TIN-LEAD	31.60	22.00	5.00
73644-21**	72	SELECTIVE GOLD/SELECTIVE TIN-LEAD	31.60	22.00	5.50
73644-22**	72	SELECTIVE GOLD/SELECTIVE TIN-LEAD	31.60	22.00	6.00
73644-30**	144	SELECTIVE GOLD/SELECTIVE TIN-LEAD	55.60	46.00	5.00
73644-31**	144	SELECTIVE GOLD/SELECTIVE TIN-LEAD	55.60	46.00	5.50
73644-32**	144	SELECTIVE GOLD/SELECTIVE TIN-LEAD	55.60	46.00	6.00

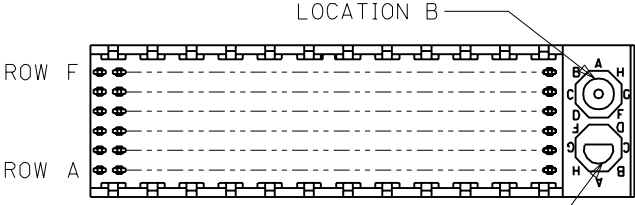
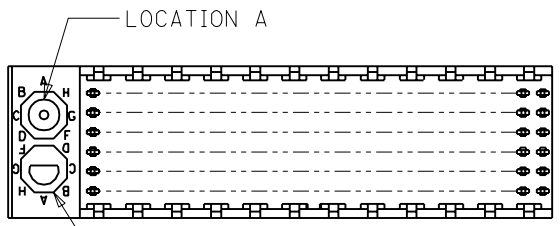
MATERIAL NUMBER ASSIGNMENT

73644- * * * *

0 = 72-CIRCUIT, GOLD/GOLD FLASH
 1 = 144-CIRCUIT, GOLD/GOLD FLASH
 2 = 72-CIRCUIT, GOLD/TIN-LEAD
 3 = 144-CIRCUIT, GOLD/TIN-LEAD

0 = 5.00 MATING LENGTH
 1 = 5.50 MATING LENGTH
 2 = 6.00 MATING LENGTH

NUMBER	GUIDE POST LOCATION	POLAR KEY POSITION
00	B	
01	A	A
02	B	
03	A	B
04	B	C
05	A	
06	B	D
07	A	
08	B	E
09	A	
10	B	F
11	A	
12	B	G
13	A	
14	B	H
15	A	
16	B	
17	A	N/A
18	N/A	



REF. MATERIAL NUMBER 73644-0009
 GUIDE PIN IS IN LOCATION A
 POLARIZING KEY IS IN LOCATION B, POSITION E

REF. MATERIAL NUMBER 73644-0008
 GUIDE PIN IS IN LOCATION B
 POLARIZING KEY IS IN LOCATION A, POSITION E

DIMENSIONS SHOWN (METRIC) INCH
 UNLESS OTHERWISE SPECIFIED TOLERANCES: ANGULAR = 1/2°

	INCH	METRIC
3 PLACE	± N/A	---
2 PLACE	± N/A	± N/A
1 PLACE	---	± N/A

DRAFT WHERE APPLICABLE MUST REMAIN WITHIN DIMENSIONS

REVISIONS: = 0 = 0 REVISIONS ONLY ON CAD SYSTEM

TITLE: SALES ASSY, HDM BACKPLANE MODULE, POLAR/GUIDE OPTION

MOLEX INCORPORATED LITTLE ROCK, AR 72114
 SHEET NO. 2 DATE 96/12/18

PART NO. SDA-73644-*****
 DRWG. NO. SEE CHART

DRWG. BY: JRR CHK'D. BY: SMR
 APP'D. BY: CAB SCALE: ---:---

LTR.	REVISIONS	LTR.	REVISIONS
		D	SEE SHEET 1