



Chipsmall Limited consists of a professional team with an average of over 10 year of expertise in the distribution of electronic components. Based in Hongkong, we have already established firm and mutual-benefit business relationships with customers from,Europe,America and south Asia,supplying obsolete and hard-to-find components to meet their specific needs.

With the principle of “Quality Parts,Customers Priority,Honest Operation,and Considerate Service”,our business mainly focus on the distribution of electronic components. Line cards we deal with include Microchip,ALPS,ROHM,Xilinx,Pulse,ON,Everlight and Freescale. Main products comprise IC,Modules,Potentiometer,IC Socket,Relay,Connector.Our parts cover such applications as commercial,industrial, and automotives areas.

We are looking forward to setting up business relationship with you and hope to provide you with the best service and solution. Let us make a better world for our industry!



Contact us

Tel: +86-755-8981 8866 Fax: +86-755-8427 6832

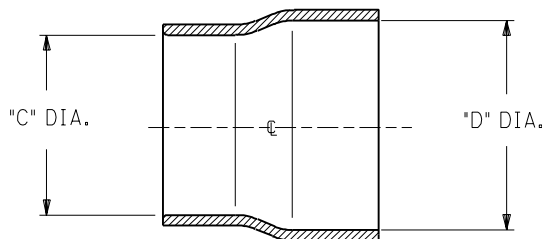
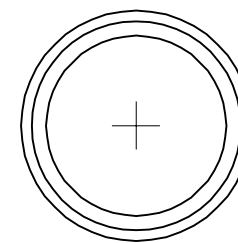
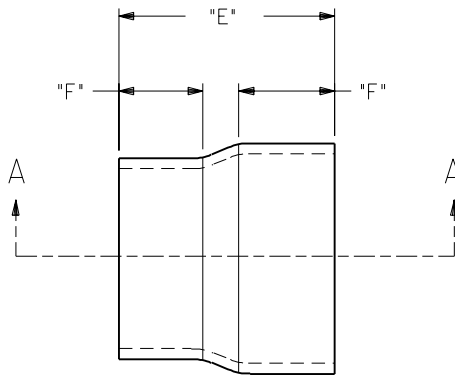
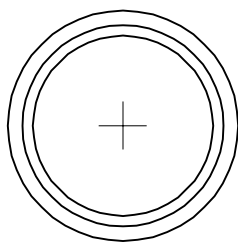
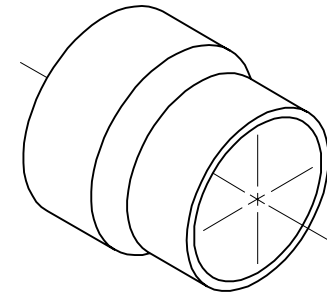
Email & Skype: info@chipsmall.com Web: www.chipsmall.com

Address: A1208, Overseas Decoration Building, #122 Zhenhua RD., Futian, Shenzhen, China



NOTES:

1. MATERIAL: STEEL, ANNEALED, .020±.001 THICK
2. PLATING: .000200 IN. MIN. BRIGHT TIN OVER .000100 IN. MIN. COPPER OVERALL.
3. PRODUCT CONFORMS TO PRODUCT SPECIFICATION PS-71182.
4. PACKAGING: PRODUCT IS BULK PACKAGED



SECTION A-A

| PART # | CABLE DIA. RANGE | "C" | "D" | "E" | "F" | USES EMI CAN KIT NUMBER |
|------------|---------------------------|-----------------|-----------------|-----------------|----------------|--|
| 73772-0001 | .246-.321 (6.25-8.16) | .324 (8.23) | .437 (11.10) | .450 (11.43) | .191 (4.85) | 71755-1001 88789-9332 88789-9333 |
| 73772-0002 | .322-.354 (8.17-9.00) | .375 (9.53) | .437 (11.10) | .450 (11.43) | .191 (4.85) | 71755-1000 88789-9333 |
| 73772-0003 | .355-.387 (9.01-9.84) | .392 (9.96) | .505 (12.83) | .565 (14.35) | .235 (5.97) | 71755-1000 |
| 73772-0004 | .388-.420 (9.85-10.67) | .432 (10.97) | .505 (12.83) | .565 (14.35) | .235 (5.97) | 71755-1000 |

ADDED KIT #15
 EC No. LUT2001-0277
 DRWNSCHMIDGA 00090905
 CHK: TMCCELL 00090906
 APPR: NELSON 00090907

| | | |
|--|--|-------|
| QUALITY SYMBOLS | GENERAL TOLERANCES: (UNLESS SPECIFIED) | |
| | mm | INCH |
| MAJOR | 4 PLACES ±0. | ±. |
| CRITICAL | 3 PLACES ±0.--- | ±.015 |
| | 2 PLACES ±0.38 | ±. |
| | 1 PLACE ±0. | ±. |
| | ANGULAR: ± 1/2° | |
| DRAFT WHERE APPLICABLE MUST REMAIN WITHIN DIMENSIONS | | |

| | |
|--------------------|--|
| SCALE | DESIGN UNITS |
| 5 : 1 | <input type="checkbox"/> mm <input checked="" type="checkbox"/> INCH |
| DRAWN BY & DATE | |
| PMURPHY 97/03/26 | |
| CHECKED BY & DATE | |
| JNELLI GA 97/03/26 | |
| APPROVED BY & DATE | |
| JNELLI GA 97/03/26 | |
| CAD FILENAME | |
| 73772S1.DGN | |

| | | | |
|--|--------------|--------------------|--------|
| DIMENSIONS: | | SHT | REV |
| THIRD ANGLE PROJECTION | | | |
| <input type="checkbox"/> mm <input checked="" type="checkbox"/> INCH | | REVISE ON CAD ONLY | |
| TITLE: MICROCROSS, P&D AND DVI CRIMP FERRULES SALES DRAWING | | | |
| MOLEX INCORPORATED | | | |
| MATERIAL NO. | DRAWING NO. | SHEET NO. | |
| SEE CHART | SD-73772-000 | 1 OF 1 | SIZE C |
| THIS DRAWING CONTAINS INFORMATION THAT IS PROPRIETARY TO MOLEX INCORPORATED AND SHOULD NOT BE USED WITHOUT WRITTEN PERMISSION. | | | |