



Chipsmall Limited consists of a professional team with an average of over 10 year of expertise in the distribution of electronic components. Based in Hongkong, we have already established firm and mutual-benefit business relationships with customers from,Europe,America and south Asia,supplying obsolete and hard-to-find components to meet their specific needs.

With the principle of “Quality Parts,Customers Priority,Honest Operation,and Considerate Service”,our business mainly focus on the distribution of electronic components. Line cards we deal with include Microchip,ALPS,ROHM,Xilinx,Pulse,ON,Everlight and Freescale. Main products comprise IC,Modules,Potentiometer,IC Socket,Relay,Connector.Our parts cover such applications as commercial,industrial, and automotives areas.

We are looking forward to setting up business relationship with you and hope to provide you with the best service and solution. Let us make a better world for our industry!



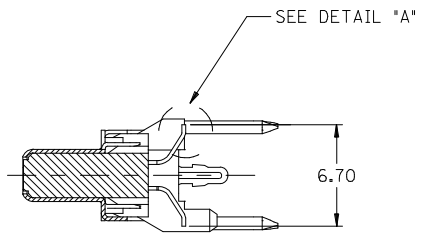
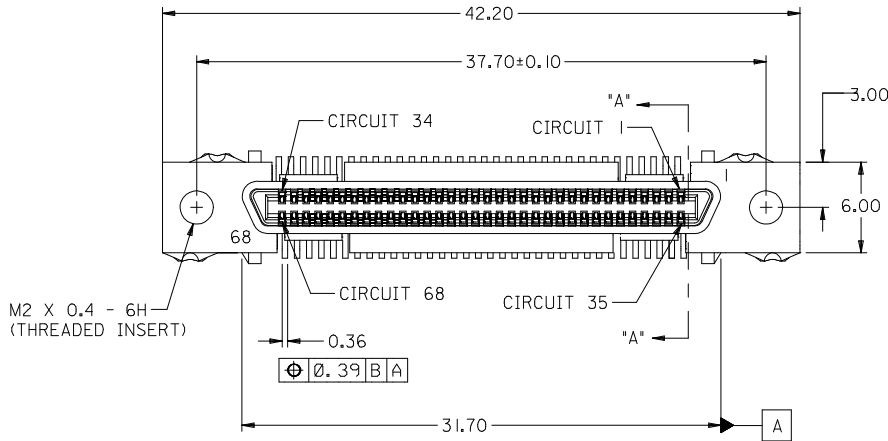
Contact us

Tel: +86-755-8981 8866 Fax: +86-755-8427 6832

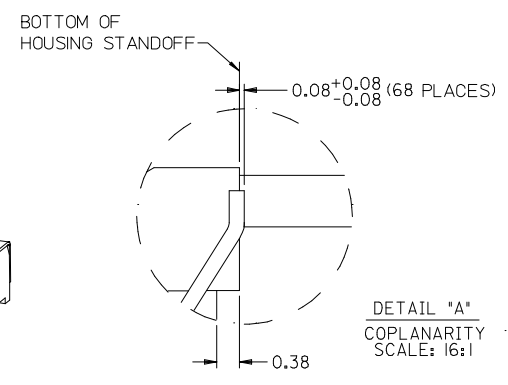
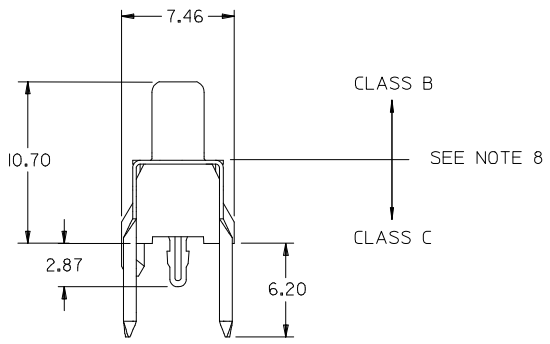
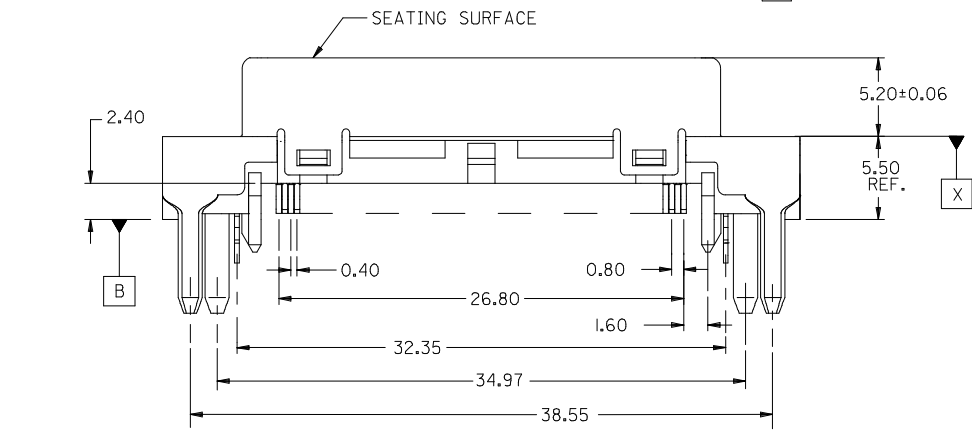
Email & Skype: info@chipsmall.com Web: www.chipsmall.com

Address: A1208, Overseas Decoration Building, #122 Zhenhua RD., Futian, Shenzhen, China



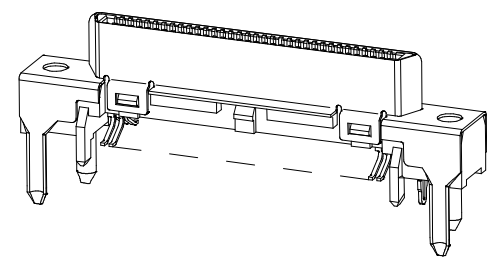


SECTION "A-A"



NOTES:

1. MATERIALS:
HOUSING: HIGH TEMP THERMOPLASTIC, COLOR: BLACK, UL 94V-0.
TERMINAL: PHOSPHOR BRONZE
SHIELD: STEEL
THREADED INSERT: BRASS
SCREWLOCK: STEEL
2. FINISH:
TERMINAL: 0.05-0.25 MICROMETER GOLD FLASH IN OVER 0.75 MICROMETER MINIMUM PALLADIUM NICKEL IN CONTACT AREA;
1.87 MICROMETER MINIMUM TIN IN TAIL AREA;
ALL OVER 1.25 MICROMETER MINIMUM NICKEL.
SHIELD: 3.81 MICROMETERS MINIMUM BRIGHT TIN OVER 1.27 MICROMETERS MINIMUM NICKEL OVER COPPER FLASH (OPTIONAL).
THREADED INSERT: NICKEL
SCREWLOCK: NICKEL
3. APPLICABLE PRODUCT SPEC: PS-71425-9999.
4. PACKAGING: TUBE PACK PER PK-70873-0824.
5. APPLICABLE STANDARDS: EIA-3652.
6. MATING ASSEMBLY: 71425-0001 PLUG.
7. DATE CODE: YEAR AND WEEK PER EIA -476-A.
8. PRODUCT COMPLIES WITH COSMETIC SPECIFICATION PS-45499-002. SEE FIGURE ABOVE FOR SURFACE CLASSIFICATIONS.



CLOSE OFF ENDS EC NO: UCP2010-0048 DRW: BARKER 2009/09/10 CHK: DMORGAN 2009/09/10 APPR: MILLER 2009/09/10	QUALITY SYMBOLS ▽=0 ▽=0	GENERAL TOLERANCES (UNLESS SPECIFIED)		DIMENSION STYLE MM ONLY	SCALE INCH	DESIGN UNITS INCH	THIRD ANGLE PROJECTION	
		4 PLACES ± --- ± ---	mm INCH	DRAWN BY DBOWEN	DATE 1997/04/11	TITLE SALES ASSY VHDCI 0.8MM PITCH 68 CKT VERTICAL SMT RECEPTACLE		
		3 PLACES ± --- ± ---	± 0.25 ± ---	CHECKED BY SSAMPSON	DATE 1997/04/11	MOLEX INCORPORATED		
		2 PLACES ± --- ± --- 1 PLACE ± --- ± ---	ANGULAR ± 1/2°	APPROVED BY DBOWEN	DATE 1997/04/11	MATERIAL NO. SEE TABLE	DOCUMENT NO. SD-73776-002	SHEET NO. 1 OF 2
DRAFT WHERE APPLICABLE MUST REMAIN WITHIN DIMENSIONS		THIS DRAWING CONTAINS INFORMATION THAT IS PROPRIETARY TO MOLEX INCORPORATED AND SHOULD NOT BE USED WITHOUT WRITTEN PERMISSION						

