



Chipsmall Limited consists of a professional team with an average of over 10 year of expertise in the distribution of electronic components. Based in Hongkong, we have already established firm and mutual-benefit business relationships with customers from,Europe,America and south Asia,supplying obsolete and hard-to-find components to meet their specific needs.

With the principle of "Quality Parts,Customers Priority,Honest Operation,and Considerate Service",our business mainly focus on the distribution of electronic components. Line cards we deal with include Microchip,ALPS,ROHM,Xilinx,Pulse,ON,Everlight and Freescale. Main products comprise IC,Modules,Potentiometer,IC Socket,Relay,Connector.Our parts cover such applications as commercial,industrial, and automotives areas.

We are looking forward to setting up business relationship with you and hope to provide you with the best service and solution. Let us make a better world for our industry!



Contact us

Tel: +86-755-8981 8866 Fax: +86-755-8427 6832

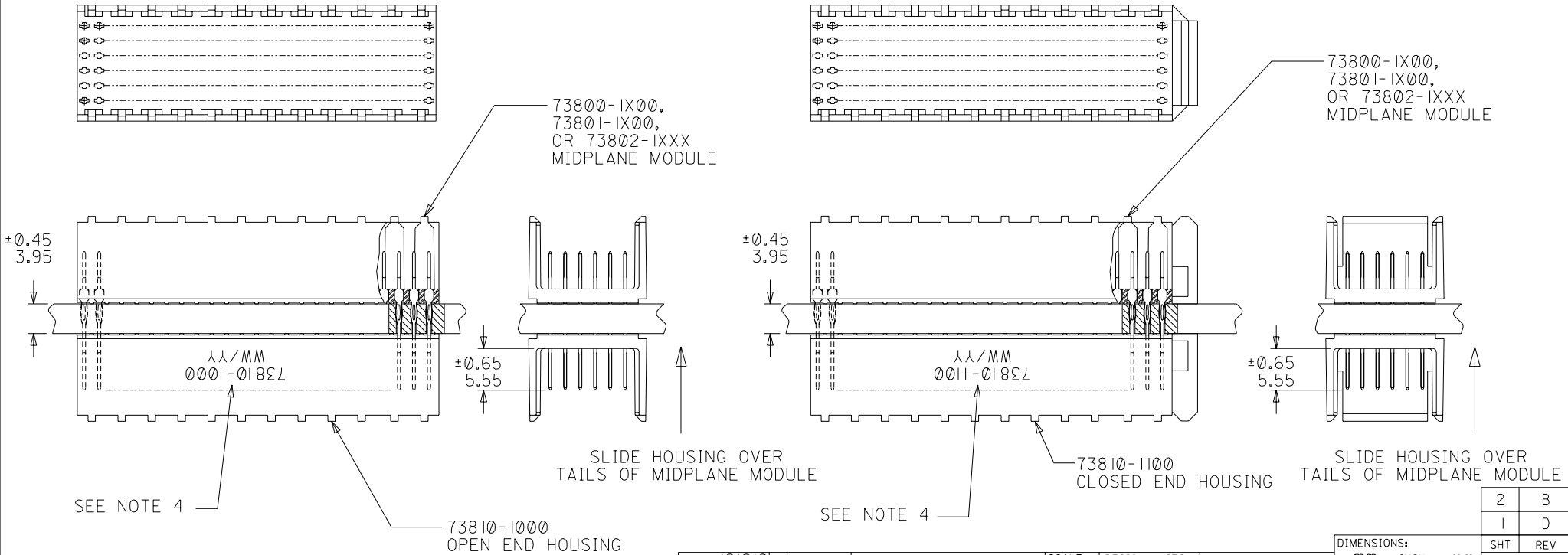
Email & Skype: info@chipsmall.com Web: www.chipsmall.com

Address: A1208, Overseas Decoration Building, #122 Zhenhua RD., Futian, Shenzhen, China



NOTES:

1. HOUSING MATERIALS: LIQUID CRYSTAL POLYMER (LCP), GLASS-FILLED, UL94V-0, COLOR: BLACK.
2. THIS PART CONFORMS TO MOLEX PRODUCT SPECIFICATION PS-73670-9999.
3. SEE DRAWINGS SD-73800-001, SD-73801-001, AND SD-73802-001 FOR DIMENSIONAL INFORMATION.
4. PARTS MARKED WITH PART NUMBER AND DATE CODE, ON EITHER SIDE, APPROXIMATELY WHERE SHOWN.
5. PARTS PACKAGED PER PK-70873-0818.



REVISED EC NO. LCP2003-2260 DRWN: THOMAS 03/04/25 CHK: BINGHAM 03/04/25 APPR: REED 03/04/25	DESCRIPTION MAJOR CRITICAL	GENERAL TOLERANCES: (UNLESS SPECIFIED)		SCALE 2 : 1	DESIGN UNITS <input checked="" type="checkbox"/> mm <input type="checkbox"/> INCH	THIRD ANGLE PROJECTION	DIMENSIONS: <input type="checkbox"/> mm <input type="checkbox"/> INCH <input checked="" type="checkbox"/> mm ONLY		SHT 2	REV B
		4 PLACES ±0. ±.	DRAWN BY & DATE JBINGHAM 97/06/19	TITLE: SALES ASSEMBLY, HDM DOUBLE-END MIDPLANE, 144 POS. SLIDE-ON HOUSING				REVISION ON CAD ONLY		
		3 PLACES ±0. ±.	CHECKED BY & DATE SREED 97/06/19	MOLEX INCORPORATED						
		2 PLACES ±0.05 ±.	APPROVED BY & DATE CBIXLER 97/06/19	CAD FILENAME S73810X1.DGN	MATERIAL NO. SEE CHART	DRAWING NO. SD-73810-001	SHEET NO. 1 OF 2			
1 PLACE ±0.10 ±.	ANGLAR: ± 1/2°	DRAFT WHERE APPLICABLE MUST REMAIN WITHIN DIMENSIONS		THIS DRAWING CONTAINS INFORMATION THAT IS PROPRIETARY TO MOLEX INCORPORATED AND SHOULD NOT BE USED WITHOUT WRITTEN PERMISSION.				SIZE B		

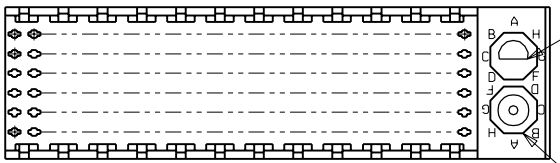
MATERIAL NUMBER ASSIGNMENT

73810- * * * *

1 = 144-CIRCUIT

0 = OPEN END VERSION
 1 = CLOSED END VERSION
 2 = POLAR/GUIDE VERSION

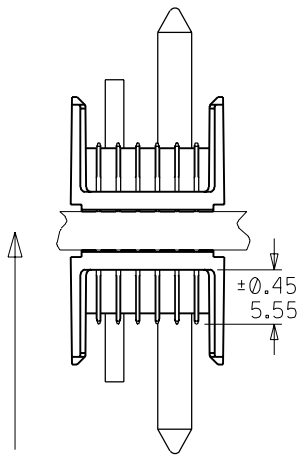
73800-1X00,
 73801-1X00,
 OR 73802-1XXX
 MIDPLANE MODULE



LOCATION B

LOCATION A

NUMBER	GUIDE POST LOCATION	POLAR KEY POSITION
00	N/A	N/A
01	B	A
02	A	A
03	B	B
04	A	B
05	B	C
06	A	C
07	B	D
08	A	D
09	B	E
10	A	E
11	B	F
12	A	F
13	B	G
14	A	G
15	B	H
16	A	H
17	B	N/A
18	A	N/A



±0.65
 3.95

±0.45
 5.55

SEE NOTE 5

73810-12XX
 POLAR/GUIDE HOUSING

SEE SHEET 1 EC NO. UDT2000-0443 DRWN: JBINGHAM 99/11/04 CHK: SREED 99/11/04 APPR: CBIXLER 99/11/04	QUALITY SYMBOLS	GENERAL TOLERANCES: (UNLESS SPECIFIED)	SCALE 2 : 1	DESIGN UNITS <input checked="" type="checkbox"/> mm <input type="checkbox"/> INCH	DIMENSIONS: <input type="checkbox"/> mm <input type="checkbox"/> INCH <input checked="" type="checkbox"/> mm ONLY	SHT	REV	
	MAJOR	mm	INCH	THIRD ANGLE PROJECTION	<input type="checkbox"/> mm <input type="checkbox"/> INCH			
	CRITICAL	4 PLACES ±0.	±.	DRAWN BY & DATE JBINGHAM 97/06/19	TITLE: SALES ASSEMBLY, HDM DOUBLE-END MIDPLANE, 144 POS. SLIDE-ON HOUSING	<input type="checkbox"/> mm <input type="checkbox"/> INCH		REVISE ON CAD ONLY
		3 PLACES ±0.	±.	CHECKED BY & DATE SREED 97/06/19	MOLEX INCORPORATED	<input type="checkbox"/> mm <input type="checkbox"/> INCH		
	2 PLACES ±0.05	±.	APPROVED BY & DATE CBIXLER 97/06/19	MATERIAL NO. SEE CHART				
	1 PLACE ±0.10	±.	CAD FILENAME S73810X2.DGN	DRAWING NO. SD-73810-001				
	ANGULAR: ± 1/2°		THIS DRAWING CONTAINS INFORMATION THAT IS PROPRIETARY TO MOLEX INCORPORATED AND SHOULD NOT BE USED WITHOUT WRITTEN PERMISSION.					
	DRAFT WHERE APPLICABLE MUST REMAIN WITHIN DIMENSIONS							
			SHEET NO. 2					
			SIZE B					