



Chipsmall Limited consists of a professional team with an average of over 10 year of expertise in the distribution of electronic components. Based in Hongkong, we have already established firm and mutual-benefit business relationships with customers from,Europe,America and south Asia,supplying obsolete and hard-to-find components to meet their specific needs.

With the principle of “Quality Parts,Customers Priority,Honest Operation,and Considerate Service”,our business mainly focus on the distribution of electronic components. Line cards we deal with include Microchip,ALPS,ROHM,Xilinx,Pulse,ON,Everlight and Freescale. Main products comprise IC,Modules,Potentiometer,IC Socket,Relay,Connector.Our parts cover such applications as commercial,industrial, and automotives areas.

We are looking forward to setting up business relationship with you and hope to provide you with the best service and solution. Let us make a better world for our industry!



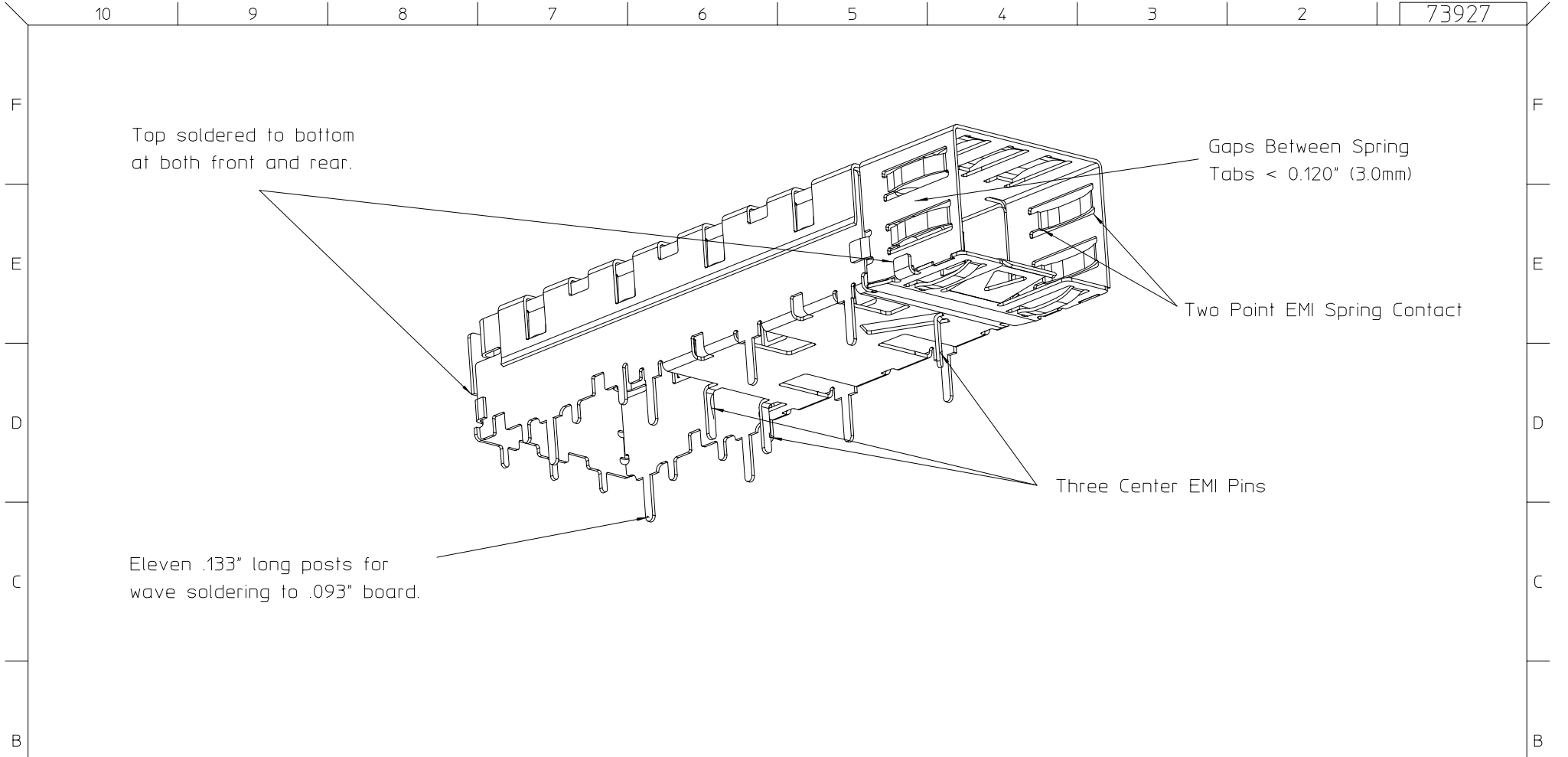
Contact us

Tel: +86-755-8981 8866 Fax: +86-755-8427 6832

Email & Skype: info@chipsmall.com Web: www.chipsmall.com

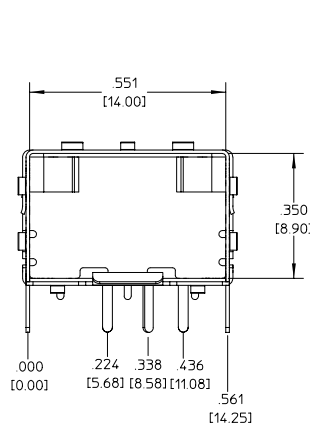
Address: A1208, Overseas Decoration Building, #122 Zhenhua RD., Futian, Shenzhen, China



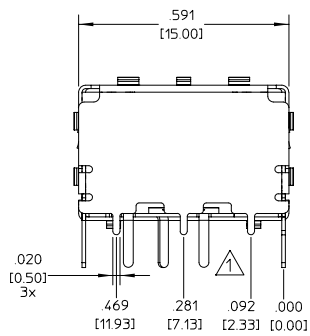


- 1 Material full-hard, tin plated brass or braonze .010" thick.
- 2 Accepts Molex 74720 series active transceivers, 73929 series passive patch cables, and 73930 series active patch cables.

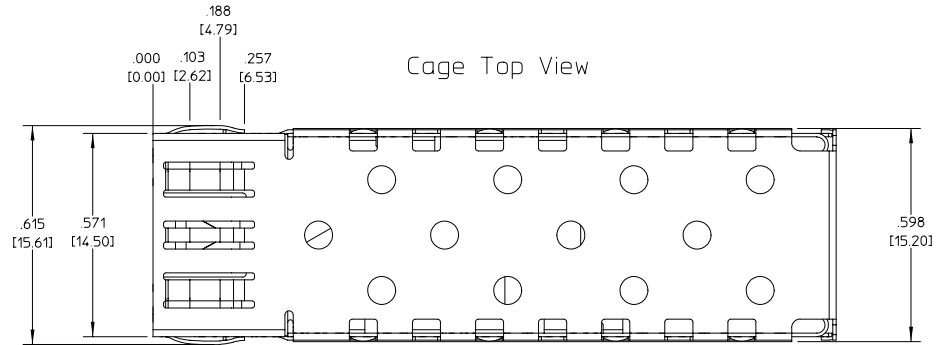
EC NO: UDT2002-0278 DRWN: DIRKERS 2001/08/16 CHKD: DIRKERS 2001/08/17 APPR: BRUSSELL 2001/08/20	QUALITY SYMBOLS ▽ = 0 ▽ = 0	GENERAL TOLERANCES (UNLESS SPECIFIED)		SCALE 3:1	DESIGN UNITS METRIC	THIRD ANGLE PROJECTION	REVISE ON CAD ONLY	
		4 PLACES ± --- ± ---	3 PLACES ± --- ± .002	DIMENSION STYLE IN/MM		TITLE SFP CAGE ASSEMBLY WITH ELEVEN .133 SOLDER POST LEGS FOR WAVE SOLDER		
		2 PLACES ± --- ± ---	1 PLACE ± 0.05 ± ---	DRAWN BY DIRKERS	DATE 2001/08/14	MOLEX INCORPORATED		
		ANGULAR ±1/2°		CHECKED BY DIRKERS	DATE 2001/08/14	APPROVED BY	DATE	MATERIAL NO 73927-0010
DRAFT WHERE APPLICABLE MUST REMAIN WITHIN DIMENSIONS		THIS DRAWING CONTAINS INFORMATION THAT IS PROPRIETARY TO MOLEX INCORPORATED AND SHOULD NOT BE USED WITHOUT WRITTEN PERMISSION						



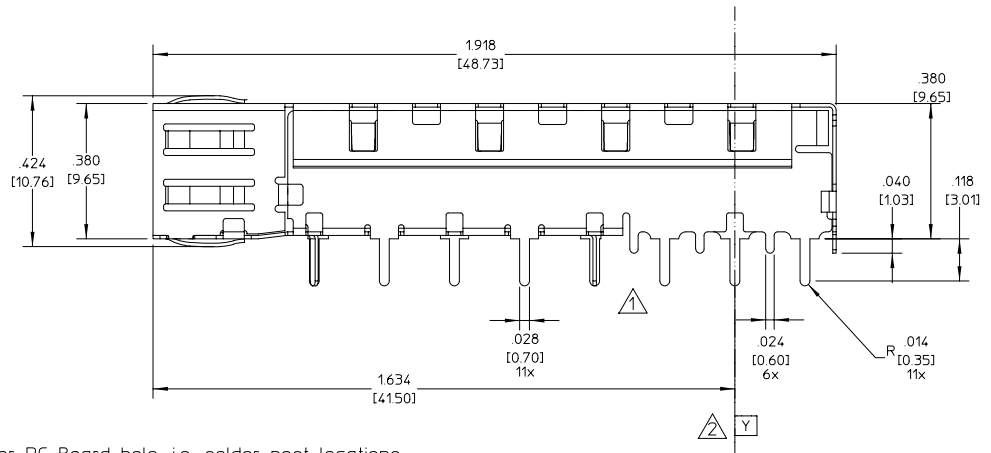
Cage Front View



Cage Rear View

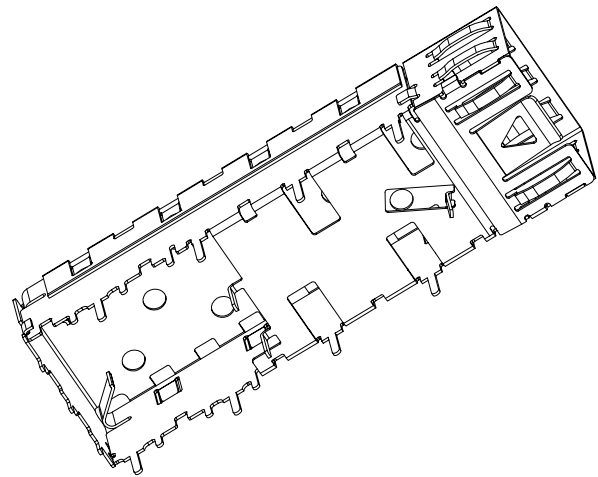


Cage Top View

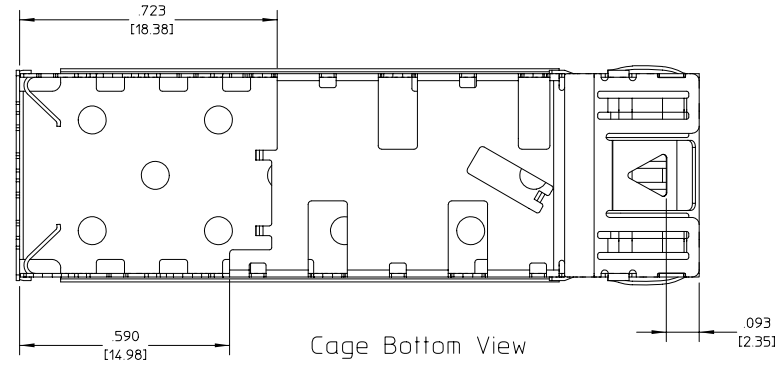
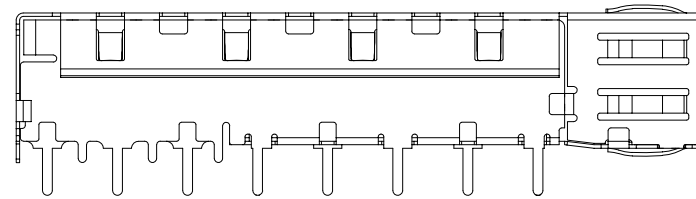


- ▲ See sheet 4 for PC Board hole, i.e. solder post locations.
- ▲ Coincides with datum Y, sheet 4.

EC NO: UDT2002-0278 DRWN: DIRKERS 2001/08/16 CHKD: DIRKERS 2001/08/17 APPR: BRUSSELL 2001/08/20	QUALITY SYMBOLS ▽ = 0 ◻ = 0	GENERAL TOLERANCES (UNLESS SPECIFIED)		SCALE 5:1	DESIGN UNITS METRIC	THIRD ANGLE PROJECTION	REVISE ON CAD ONLY																
		<table border="1"> <tr> <th></th> <th>mm</th> <th>INCH</th> </tr> <tr> <td>4 PLACES</td> <td>± .002</td> <td>± .0005</td> </tr> <tr> <td>3 PLACES</td> <td>± .003</td> <td>± .0010</td> </tr> <tr> <td>2 PLACES</td> <td>± .005</td> <td>± .0015</td> </tr> <tr> <td>1 PLACE</td> <td>± 0.05</td> <td>± .0020</td> </tr> </table>			mm	INCH	4 PLACES	± .002	± .0005	3 PLACES	± .003	± .0010	2 PLACES	± .005	± .0015	1 PLACE	± 0.05	± .0020	DIMENSION STYLE IN/MM		TITLE SFP CAGE ASSEMBLY WITH ELEVEN .133 SOLDER POST LEGS FOR WAVE SOLDER		
			mm	INCH																			
		4 PLACES	± .002	± .0005																			
3 PLACES	± .003	± .0010																					
2 PLACES	± .005	± .0015																					
1 PLACE	± 0.05	± .0020																					
ANGULAR ±1/2°		DRAFT WHERE APPLICABLE MUST REMAIN WITHIN DIMENSIONS		DRAWN BY DATE DIRKERS 2001/08/14		MOLEX INCORPORATED MATERIAL NO 73927-0010 DOCUMENT NO SD-73927-010 SHEET NO 2 OF 7																	
APPROVED BY DATE		APPROVED BY DATE		THIS DRAWING CONTAINS INFORMATION THAT IS PROPRIETARY TO MOLEX INCORPORATED AND SHOULD NOT BE USED WITHOUT WRITTEN PERMISSION																			

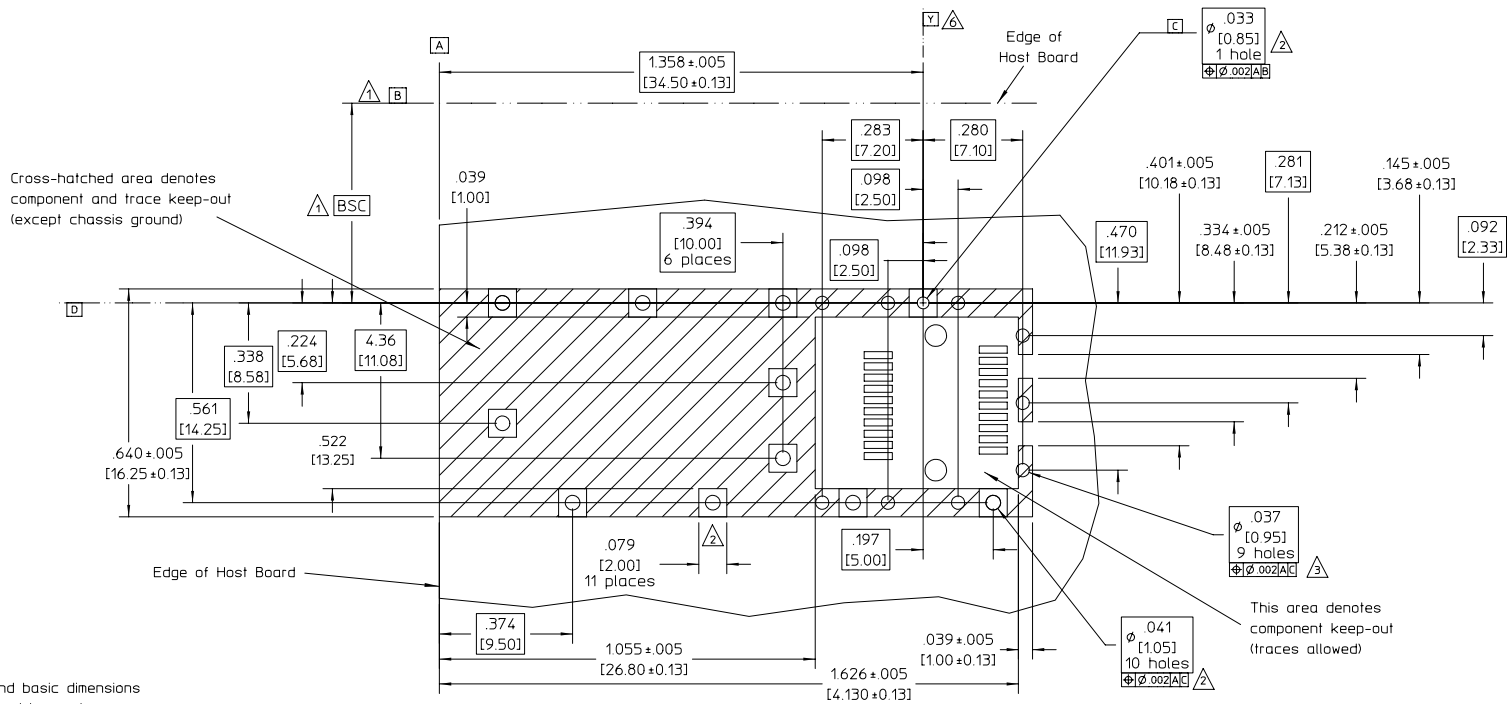


Isometric
Scale 2.5:1



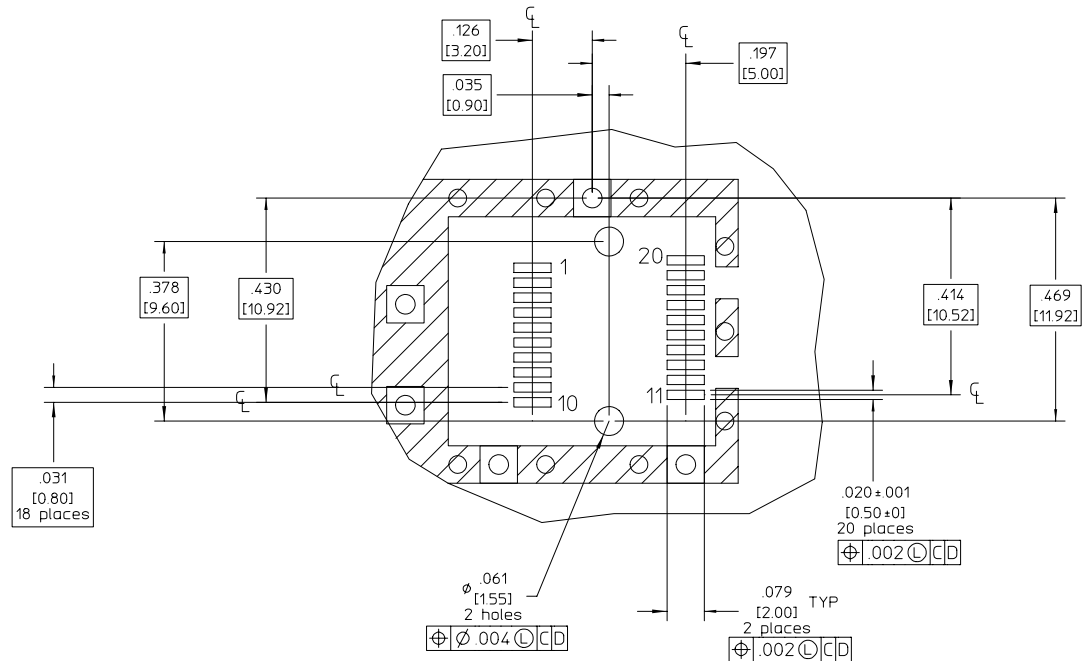
Cage Bottom View

EC NO: UDT2002-0278 DRWN: DIRKERS 2001/08/16 CHKD: DIRKERS 2001/08/17 APPR: BRUSSELL 2001/08/20	QUALITY SYMBOLS	GENERAL TOLERANCES (UNLESS SPECIFIED)		SCALE 5:1	DESIGN UNITS METRIC	THIRD ANGLE PROJECTION	REVISE ON CAD ONLY	
	▼ = 0	mm	INCH	DIMENSION STYLE IN/MM		TITLE SFP CAGE ASSEMBLY WITH ELEVEN .133 SOLDER POST LEGS FOR WAVE SOLDER		
	▽ = 0	± .002	± .002	DRAWN BY DIRKERS	DATE 2001/08/14			
		± 0.05	± .002	± .002	CHECKED BY DIRKERS	DATE 2001/08/14		
		ANGULAR ±1/2°		APPROVED BY		DATE	MATERIAL NO 73927-0010	DOCUMENT NO SD-73927-010
		DRAFT WHERE APPLICABLE MUST REMAIN WITHIN DIMENSIONS					SHEET NO 3 OF 7	
THIS DRAWING CONTAINS INFORMATION THAT IS PROPRIETARY TO MOLEX INCORPORATED AND SHOULD NOT BE USED WITHOUT WRITTEN PERMISSION								



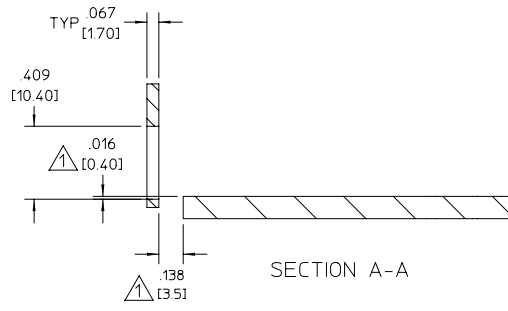
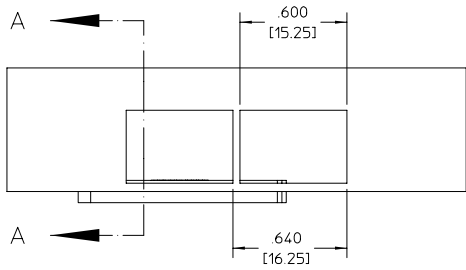
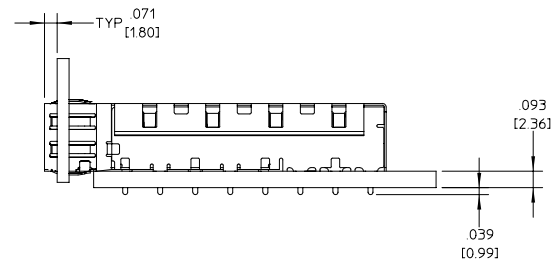
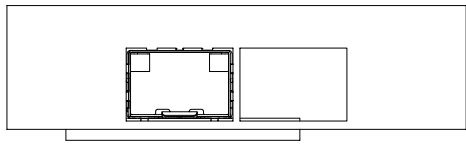
- ▲ Datum and basic dimensions established by customer.
- ▲ Vias and pads chassis ground, plated through. 11 places. Pad locations must be on bottom of PC board for wave solder applications.
- ▲ Holes optionally plated through.
- 4 Hole pattern allows two parts to be mounted "belly-to-belly" on .093" nom. boards. Hole layout shown for one side only. Transceiver profile outside cage determines feasibility of "belly-to-belly" mounting.
- ▲ Cage datum Y shown for reference to cage, only.

EC NO: UDT2002-0278 DRWN: DIRKERS 2001/08/16 CHKD: DIRKERS 2001/08/17 APPR: BRUSSELL 2001/08/20	QUALITY SYMBOLS	GENERAL TOLERANCES (UNLESS SPECIFIED)		SCALE 3:1	DESIGN UNITS METRIC	THIRD ANGLE PROJECTION	REVISE ON CAD ONLY
	▼ 0	4 PLACES ± ---	mm ± ---	DIMENSION STYLE IN/MM		TITLE SFP CAGE ASSEMBLY WITH ELEVEN .133 SOLDER POST LEGS FOR WAVE SOLDER	
	▽ 0	3 PLACES ± ---	± .002	DRAWN BY DIRKERS	DATE 2001/08/14	MATERIAL NO 73927-0010	
	▽ 0	2 PLACES ± ---	± .002	CHECKED BY DIRKERS	DATE 2001/08/14	DOCUMENT NO SD-73927-010	SHEET NO 4 OF 7
		1 PLACE ± 0.05	± ---	APPROVED BY	DATE	THIS DRAWING CONTAINS INFORMATION THAT IS PROPRIETARY TO MOLEX INCORPORATED AND SHOULD NOT BE USED WITHOUT WRITTEN PERMISSION	
		ANGULAR ± 1/2°		DRAFT WHERE APPLICABLE MUST REMAIN WITHIN DIMENSIONS			



1. Connector pad pattern per MSA.
will accommodate surface mount Molex
connector 74441 or equivalent.

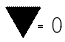
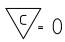
EC NO: UDT2002-0278 DRWN: DIRKERS 2001/08/16 CHKD: DIRKERS 2001/08/17 APPR: BRUSSELL 2001/08/20	QUALITY SYMBOLS	GENERAL TOLERANCES (UNLESS SPECIFIED)		SCALE 3:1	DESIGN UNITS METRIC	THIRD ANGLE PROJECTION	REVISE ON CAD ONLY
	▽ = 0	4 PLACES ± ---	mm INCH	DIMENSION STYLE IN/MM		TITLE SFP CAGE ASSEMBLY WITH ELEVEN .133 SOLDER POST LEGS FOR WAVE SOLDER	
	∇ = 0	3 PLACES ± ---	± .002	DRAWN BY DIRKERS	DATE 2001/08/14	MOLEX INCORPORATED	
		2 PLACES ± ---	± .002	CHECKED BY DIRKERS	DATE 2001/08/14	MATERIAL NO 73927-0010	DOCUMENT NO SD-73927-010
		1 PLACE ± 0.05	ANGULAR ± 1/2°	APPROVED BY	DATE	THIS DRAWING CONTAINS INFORMATION THAT IS PROPRIETARY TO MOLEX INCORPORATED AND SHOULD NOT BE USED WITHOUT WRITTEN PERMISSION	
		DRAFT WHERE APPLICABLE MUST REMAIN WITHIN DIMENSIONS					



1. Relational geometry per MSA standard.

EC NO: UDT2002-0278 DRWN: DIRKERS 2001/08/16 CHKD: DIRKERS 2001/08/17 APPR: BRUSSELL 2001/08/20	QUALITY SYMBOLS ▽ = 0 ◻ = 0	GENERAL TOLERANCES (UNLESS SPECIFIED) 4 PLACES ± --- ± --- 3 PLACES ± --- ± .002 2 PLACES ± --- ± --- 1 PLACE ± 0.05 ± --- ANGULAR ± 1/2°	SCALE 3:1 DESIGN UNITS METRIC DIMENSION STYLE IN/MM	THIRD ANGLE PROJECTION REVISE ON CAD ONLY	TITLE SFP CAGE ASSEMBLY WITH ELEVEN .133 SOLDER POST LEGS FOR WAVE SOLDER MOLEX INCORPORATED MATERIAL NO 73927-0010 DOCUMENT NO SD-73927-010 SHEET NO 6 OF 7
	DRAFT WHERE APPLICABLE MUST REMAIN WITHIN DIMENSIONS	DRAWN BY DATE DIRKERS 2001/08/14 CHECKED BY DATE DIRKERS 2001/08/14 APPROVED BY DATE	THIS DRAWING CONTAINS INFORMATION THAT IS PROPRIETARY TO MOLEX INCORPORATED AND SHOULD NOT BE USED WITHOUT WRITTEN PERMISSION		
	A	REV	B		
	10 9 8 7 6 5 4 3 2 1	F F E E D D C C B B A A	8 7 6 5 4 3 2 1		

DATE	REV	CHANGES	REASONS	APPROVAL
2001/08/14	A	DIMENSIONS ADDED	INITIAL RELEASE	CD

EC NO: UDT2002-0278 DRWN: DIRKERS 2001/08/16 CHKD: DIRKERS 2001/08/17 APPR: BRUSSELL 2001/08/20	QUALITY SYMBOLS	GENERAL TOLERANCES (UNLESS SPECIFIED)	SCALE 1:1	DESIGN UNITS METRIC	THIRD ANGLE PROJECTION	REVISE ON CAD ONLY															
	 = 0  = 0	<table border="1"> <tr> <th></th> <th>mm</th> <th>INCH</th> </tr> <tr> <td>4 PLACES</td> <td>± ---</td> <td>± ---</td> </tr> <tr> <td>3 PLACES</td> <td>± ---</td> <td>± .002</td> </tr> <tr> <td>2 PLACES</td> <td>± ---</td> <td>± ---</td> </tr> <tr> <td>1 PLACE</td> <td>± 0.05</td> <td>± ---</td> </tr> </table>		mm	INCH	4 PLACES	± ---	± ---	3 PLACES	± ---	± .002	2 PLACES	± ---	± ---	1 PLACE	± 0.05	± ---	DIMENSION STYLE IN/MM DRAWN BY DATE DIRKERS 2001/08/14	TITLE SFP CAGE ASSEMBLY WITH ELEVEN .133 SOLDER POST LEGS FOR WAVE SOLDER		
			mm	INCH																	
		4 PLACES	± ---	± ---																	
3 PLACES	± ---	± .002																			
2 PLACES	± ---	± ---																			
1 PLACE	± 0.05	± ---																			
ANGULAR ±1/2° DRAFT WHERE APPLICABLE MUST REMAIN WITHIN DIMENSIONS	CHECKED BY DATE DIRKERS 2001/08/14	MOLEX INCORPORATED																			
APPROVED BY DATE	MATERIAL NO 73927-0010 DOCUMENT NO SD-73927-010 SHEET NO 7 OF 7	THIS DRAWING CONTAINS INFORMATION THAT IS PROPRIETARY TO MOLEX INCORPORATED AND SHOULD NOT BE USED WITHOUT WRITTEN PERMISSION																			