



Chipsmall Limited consists of a professional team with an average of over 10 year of expertise in the distribution of electronic components. Based in Hongkong, we have already established firm and mutual-benefit business relationships with customers from,Europe,America and south Asia,supplying obsolete and hard-to-find components to meet their specific needs.

With the principle of “Quality Parts,Customers Priority,Honest Operation,and Considerate Service”,our business mainly focus on the distribution of electronic components. Line cards we deal with include Microchip,ALPS,ROHM,Xilinx,Pulse,ON,Everlight and Freescale. Main products comprise IC,Modules,Potentiometer,IC Socket,Relay,Connector.Our parts cover such applications as commercial,industrial, and automotives areas.

We are looking forward to setting up business relationship with you and hope to provide you with the best service and solution. Let us make a better world for our industry!



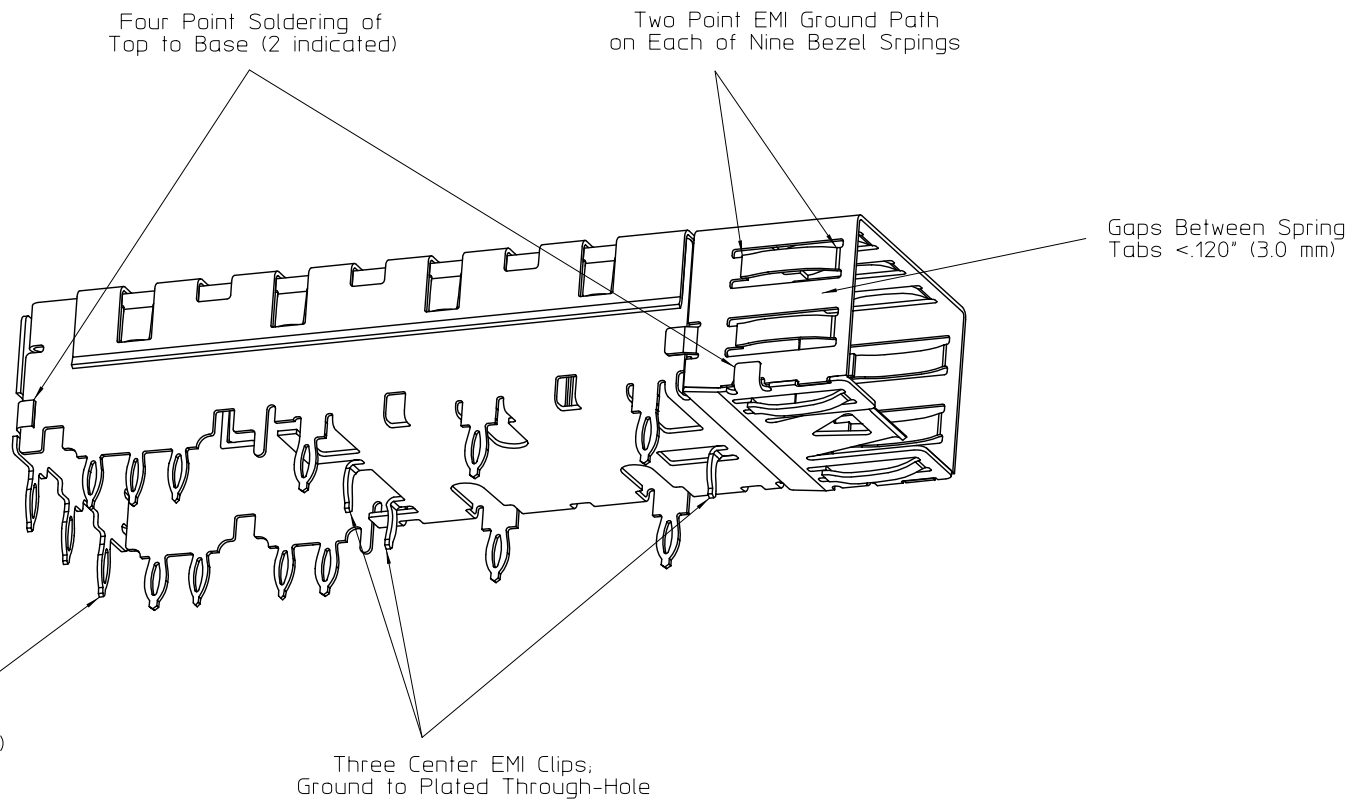
Contact us

Tel: +86-755-8981 8866 Fax: +86-755-8427 6832

Email & Skype: info@chipsmall.com Web: www.chipsmall.com

Address: A1208, Overseas Decoration Building, #122 Zhenhua RD., Futian, Shenzhen, China

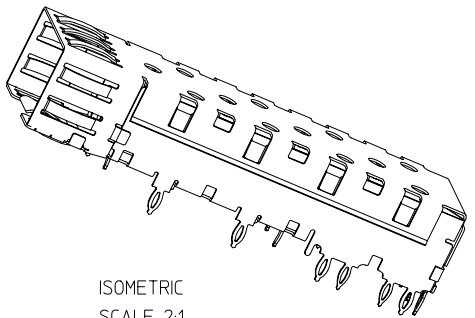




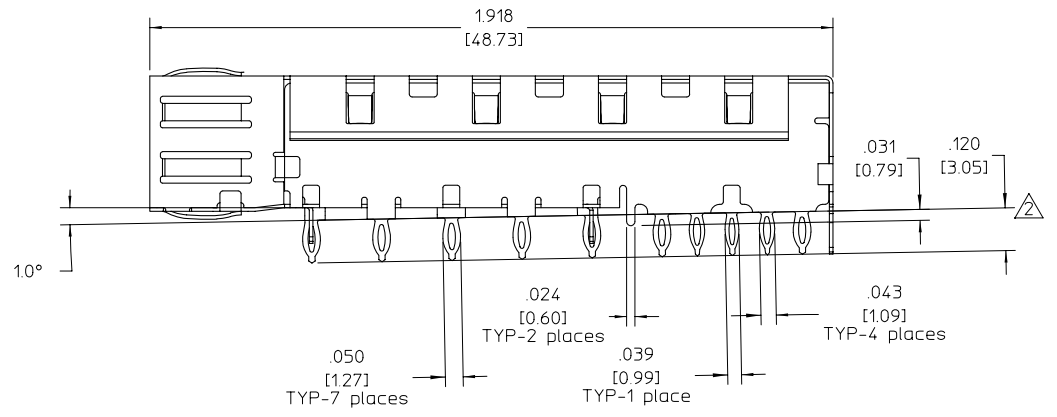
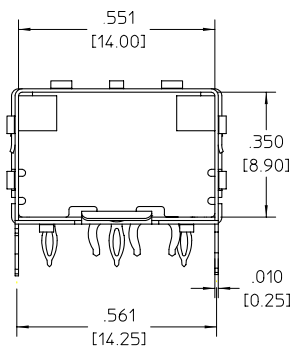
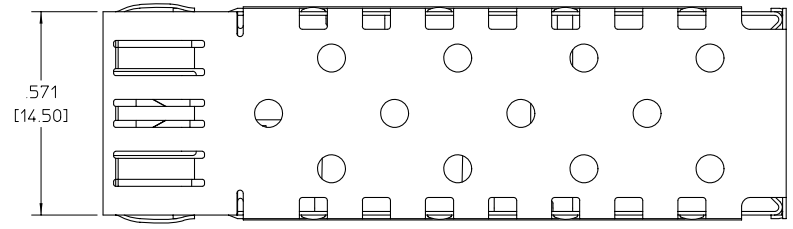
15 press-fit (compliant) pins for single sided use in .093+'' (2.36+mm) PCB's with plated through holes. Legs angled 1° from body for mounting in PCI panel openings.

Material full-hard, tin plated brass or bronze .010'' (0.25mm) thick.

EC NO: UDT2002-12344 DRAWN: DIRKERS 2002/04/11 CHK: DIRKERS APPR: BRUSSELL 2002/04/22	QUALITY SYMBOLS ▽ = 0 ◻ = 0	GENERAL TOLERANCES (UNLESS SPECIFIED)		SCALE 4:1	DESIGN UNITS METRIC	THIRD ANGLE PROJECTION	REVISE ON CAD ONLY			
			mm	INCH	DIMENSION STYLE IN/MM		TITLE SFP PCI CAGE ASSEMBLY WITH 15 PRESS-FIT LEGS AND 3 EMI CLIPS			
		4 PLACES	± ---	± ---	DRAWN BY DIRKERS	DATE 2002/04/10	MOLEX INCORPORATED			
		3 PLACES	± ---	± .002	CHECKED BY DIRKERS	DATE 2002/04/10	MATERIAL NO. 739270016	DOCUMENT NO. SD-73927-0016	SHEET NO. 1 OF 7	
	2 PLACES	± 0.05	± ---	APPROVED BY RUSSELL	DATE 2002/04/11	THIS DRAWING CONTAINS INFORMATION THAT IS PROPRIETARY TO MOLEX INCORPORATED AND SHOULD NOT BE USED WITHOUT WRITTEN PERMISSION				
	1 PLACE	± ---	± ---	DRAFT WHERE APPLICABLE MUST REMAIN WITHIN DIMENSIONS		B				
	ANGULAR ± 1/2 °									

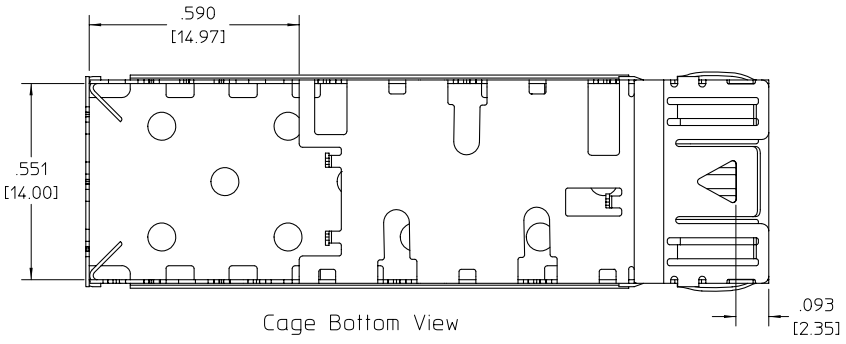
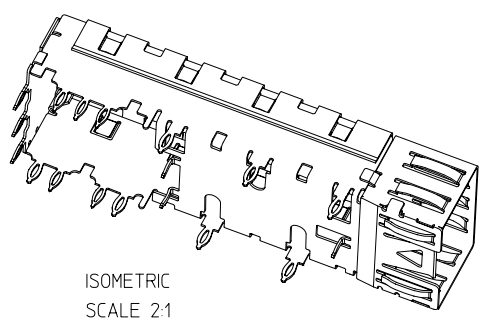
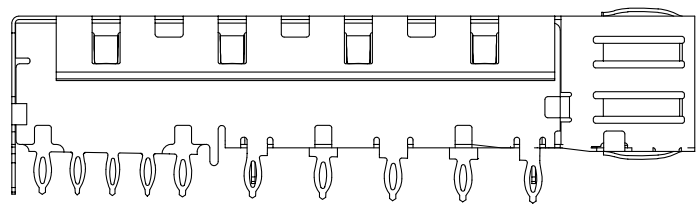
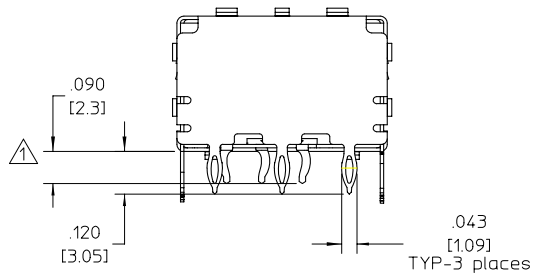


ISOMETRIC
SCALE 2:1



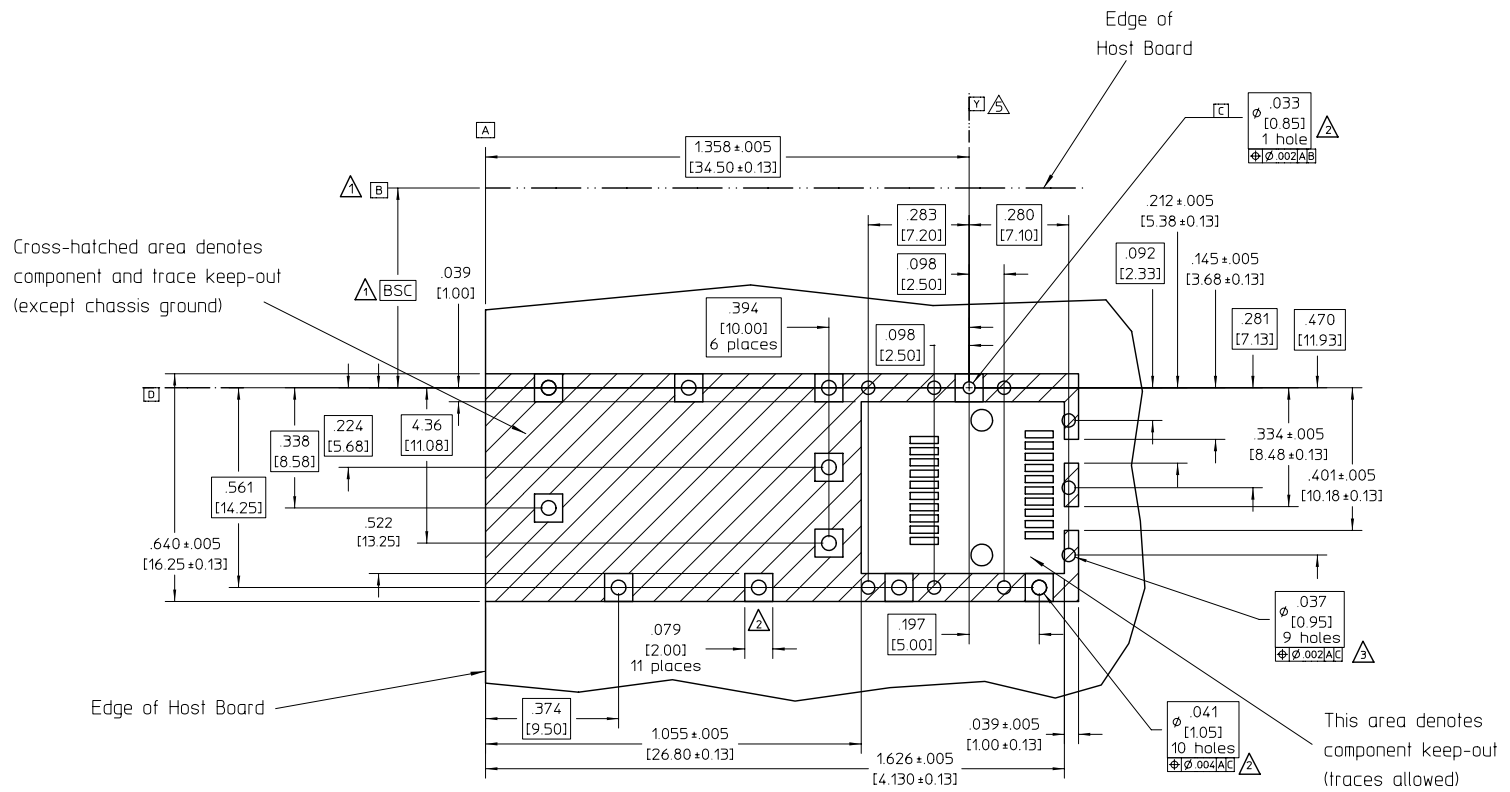
1 Dimensions of solder posts fit hole pattern and sizes per MSA guidelines.
 △ Host PCB top surface datum.

EC NO: UDT2002-12864 DRWN: DIRKERS 2002/04/11 CHK: DIRKERS APPR: BRUSSELL 2002/04/22	QUALITY SYMBOLS	GENERAL TOLERANCES (UNLESS SPECIFIED)		SCALE 3:1	DESIGN UNITS METRIC	THIRD ANGLE PROJECTION	REVISE ON CAD ONLY		
	▼ = 0 △ = 0		mm	INCH	DIMENSION STYLE IN/MM		TITLE		
		4 PLACES	± ---	± ---	DRAWN BY DATE		SFP PCI CAGE ASSEMBLY WITH 15 PRESS-FIT LEGS AND 3 EMI CLIPS MOLEX INCORPORATED		
		3 PLACES	± ---	± .002	DIRKERS 2002/04/10				
2 PLACES	± 0.05	± ---	CHECKED BY DATE		MATERIAL NO. 739270016 DOCUMENT NO. SD-73927-0016 SHEET NO. 2 OF 7				
1 PLACE	± ---	± ---	DIRKERS 2002/04/10						
REV	DESCRIPTION	DRAFT WHERE APPLICABLE MUST REMAIN WITHIN DIMENSIONS		APPROVED BY DATE		THIS DRAWING CONTAINS INFORMATION THAT IS PROPRIETARY TO MOLEX INCORPORATED AND SHOULD NOT BE USED WITHOUT WRITTEN PERMISSION			
A				RUSSELL 2002/04/11		B			



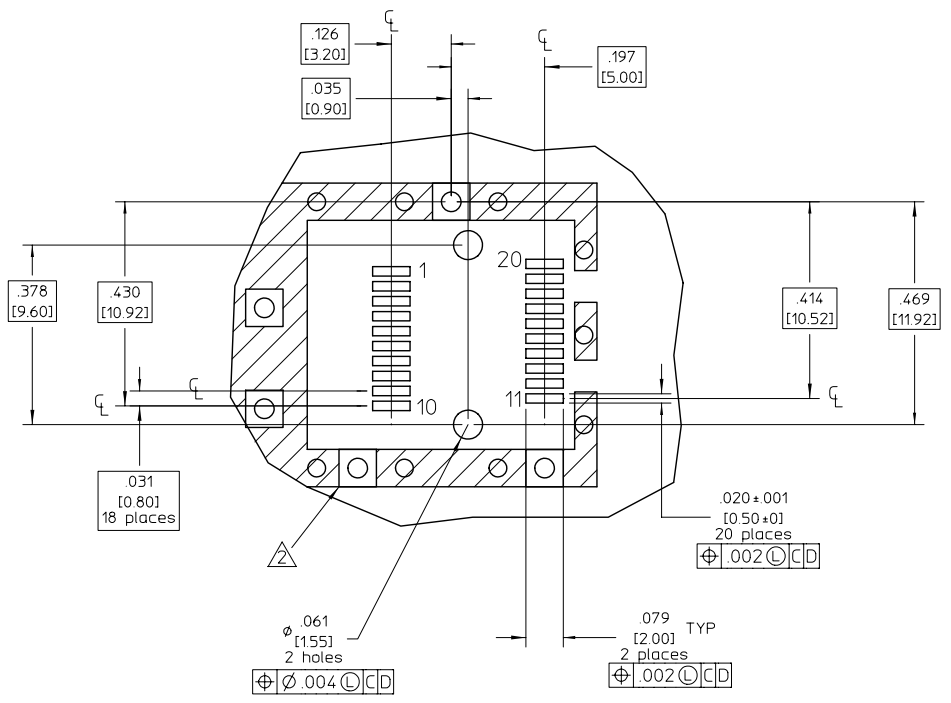
△ Host PCB Top Surface Datum

EC NO: UDT20002-12864 DRAWN: DIRKERS 2002/04/11 CHK: DIRKERS APPR: BRUSSELL 2002/04/22	QUALITY SYMBOLS	GENERAL TOLERANCES (UNLESS SPECIFIED)		SCALE 3:1	DESIGN UNITS METRIC	THIRD ANGLE PROJECTION	REVISE ON CAD ONLY		
	▼ = 0 ∇ = 0	4 PLACES ± --- ± --- 3 PLACES ± --- ± .002 2 PLACES ± 0.05 ± --- 1 PLACE ± --- ± --- ANGULAR ± 1/2 °	DIMENSION STYLE IN/MM	DRAWN BY DIRKERS DATE 2002/04/10 CHECKED BY DIRKERS DATE 2002/04/10 APPROVED BY RUSSELL DATE 2002/04/11		TITLE SFP PCI CAGE ASSEMBLY WITH 15 PRESS-FIT LEGS AND 3 EMI CLIPS MOLEX INCORPORATED		MATERIAL NO. 739270016 DOCUMENT NO. SD-73927-0016 SHEET NO. 3 OF 7	
A	REV DESCRIPTION	DRAFT WHERE APPLICABLE MUST REMAIN WITHIN DIMENSIONS		THIS DRAWING CONTAINS INFORMATION THAT IS PROPRIETARY TO MOLEX INCORPORATED AND SHOULD NOT BE USED WITHOUT WRITTEN PERMISSION			B		



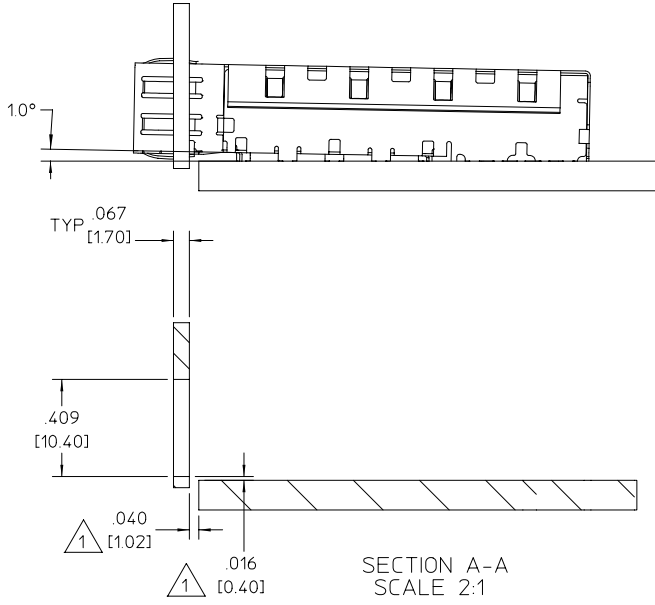
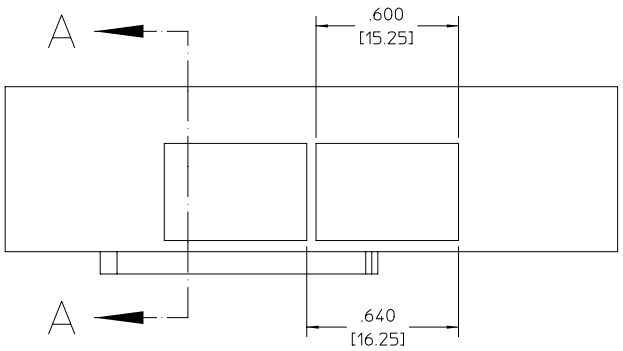
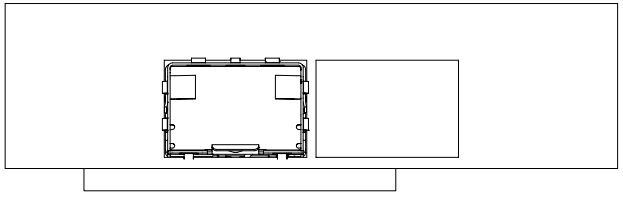
- 1 Datum and basic dimensions established by customer.
- 2 Vias and pads chassis ground, plated through, 11 places. Pads optional.
- 3 Holes optionally plated through.
- 4 Hole pattern does not allow two parts to be mounted "belly-to-belly".
- 5 Cage datum Y shown for reference to cage, only.

EC NO: UDT2002-12344 DRAWN: DIRKERS 2002/04/11 CHK: DIRKERS APPR: BRUSSELL 2002/04/22 REV DESCRIPTION	QUALITY SYMBOLS	GENERAL TOLERANCES (UNLESS SPECIFIED)	SCALE 3:1	DESIGN UNITS METRIC	THIRD ANGLE PROJECTION	REVISE ON CAD ONLY
	▽ = 0 ∇ = 0	4 PLACES ± --- ± --- 3 PLACES ± --- ± .002 2 PLACES ± 0.05 ± --- 1 PLACE ± --- ± --- ANGULAR ± 1/2 °	DIMENSION STYLE IN/MM	DRAWN BY DATE DIRKERS 2002/04/10	TITLE SFP PCI CAGE ASSEMBLY WITH 15 PRESS-FIT LEGS AND 3 EMI CLIPS	
	DRAFT WHERE APPLICABLE	APPROVED BY DATE RUSSELL 2002/04/11	CHECKED BY DATE DIRKERS 2002/04/10	MOLEX INCORPORATED		
	MUST REMAIN WITHIN DIMENSIONS	THIS DRAWING CONTAINS INFORMATION THAT IS PROPRIETARY TO MOLEX INCORPORATED AND SHOULD NOT BE USED WITHOUT WRITTEN PERMISSION		MATERIAL NO. 739270016	DOCUMENT NO. SD-73927-0016	SHEET NO. 4 OF 7



1. Connector pad pattern per MSA, will accommodate surface mount Molex connector 74441 or equivalent.
 △ Cage mounting pads not required for press-fit application.


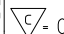
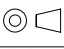

EC NO: U012002-47864 DRAWN: DIRKERS 2002/04/11 CHK: DIRKERS APPR: BRUSSELL 2002/04/22	QUALITY SYMBOLS	GENERAL TOLERANCES (UNLESS SPECIFIED)		SCALE 3:1	DESIGN UNITS METRIC	THIRD ANGLE PROJECTION	REVISE ON CAD ONLY			
	DESCRIPTION ▽ = 0 ∇ = 0		mm	INCH	DIMENSION STYLE IN/MM		TITLE			
		4 PLACES ± ---	± ---	± ---	DRAWN BY DATE		SFP PCI CAGE ASSEMBLY WITH 15 PRESS-FIT LEGS AND 3 EMI CLIPS MOLEX INCORPORATED			
		3 PLACES ± ---	± .002	± ---	DIRKERS 2002/04/10					
2 PLACES ± 0.05	± ---	± ---	CHECKED BY DATE		MATERIAL NO. 739270016 DOCUMENT NO. SD-73927-0016 SHEET NO. 5 OF 7					
1 PLACE ± ---	± ---	± ---	DIRKERS 2002/04/10							
DRAFT WHERE APPLICABLE		APPROVED BY DATE		RUSSELL 2002/04/11		THIS DRAWING CONTAINS INFORMATION THAT IS PROPRIETARY TO MOLEX INCORPORATED AND SHOULD NOT BE USED WITHOUT WRITTEN PERMISSION				
MUST REMAIN WITHIN DIMENSIONS						B				



△ Dimension to accomodate PCI application.
All others per MSA guidelines.

EC NO: UDT2002-12644 DRAWN: DIRKERS 2002/04/11 CHK: DIRKERS APPR: BRUSSELL 2002/04/22	QUALITY SYMBOLS ▽ = 0 ▽ = 0	GENERAL TOLERANCES (UNLESS SPECIFIED)		SCALE 2:1	DESIGN UNITS METRIC	THIRD ANGLE PROJECTION	REVISE ON CAD ONLY			
			mm	INCH	DIMENSION STYLE IN/MM		TITLE			
		4 PLACES	± ---	± ---	DRAWN BY DIRKERS	DATE 2002/04/10	SFP PCI CAGE ASSEMBLY WITH 15 PRESS-FIT LEGS AND 3 EMI CLIPS MOLEX INCORPORATED			
		3 PLACES	± ---	± .002	CHECKED BY DIRKERS	DATE 2002/04/10				
2 PLACES	± 0.05	± ---	ANGULAR ± 1/2 °		APPROVED BY RUSSELL	DATE 2002/04/11	MATERIAL NO. 739270016	DOCUMENT NO. SD-73927-0016	SHEET NO. 6 OF 7	
1 PLACE	± ---	± ---	DRAFT WHERE APPLICABLE MUST REMAIN WITHIN DIMENSIONS		THIS DRAWING CONTAINS INFORMATION THAT IS PROPRIETARY TO MOLEX INCORPORATED AND SHOULD NOT BE USED WITHOUT WRITTEN PERMISSION					

DATE	REV	CHANGES	REASONS	APPROVAL
2002/04/10	A	NEW DRAWING BASED UPON SD-73927-0004	CUSTOMER REQUEST FOR PRESS-FIT LEGS	CD

EC NO: UDT2002-12644 DRAWN: DIRKERS 2002/04/11 CHK: DIRKERS APPR: BRUSSELL 2002/04/22	QUALITY SYMBOLS  - 0  = 0	GENERAL TOLERANCES (UNLESS SPECIFIED)		SCALE 1:1	DESIGN UNITS METRIC	 THIRD ANGLE PROJECTION	REVISE ON CAD ONLY				
				DIMENSION STYLE IN/MM			TITLE				
		4 PLACES ± --- ± ---		3 PLACES ± --- ± .002		DRAWN BY DIRKERS	DATE 2002/04/10	SFP PCI CAGE ASSEMBLY WITH 15 PRESS-FIT LEGS AND 3 EMI CLIPS  MOLEX INCORPORATED			
		2 PLACES ± 0.05 ± ---		1 PLACE ± --- ± ---		CHECKED BY DIRKERS	DATE 2002/04/10				
ANGULAR ± 1/2 °		DRAFT WHERE APPLICABLE MUST REMAIN WITHIN DIMENSIONS		APPROVED BY RUSSELL	DATE 2002/04/11	MATERIAL NO. 739270016	DOCUMENT NO. SD-73927-0016	SHEET NO. 7 OF 7			
A				THIS DRAWING CONTAINS INFORMATION THAT IS PROPRIETARY TO MOLEX INCORPORATED AND SHOULD NOT BE USED WITHOUT WRITTEN PERMISSION						B	