



Chipsmall Limited consists of a professional team with an average of over 10 year of expertise in the distribution of electronic components. Based in Hongkong, we have already established firm and mutual-benefit business relationships with customers from,Europe,America and south Asia,supplying obsolete and hard-to-find components to meet their specific needs.

With the principle of "Quality Parts,Customers Priority,Honest Operation,and Considerate Service",our business mainly focus on the distribution of electronic components. Line cards we deal with include Microchip,ALPS,ROHM,Xilinx,Pulse,ON,Everlight and Freescale. Main products comprise IC,Modules,Potentiometer,IC Socket,Relay,Connector.Our parts cover such applications as commercial,industrial, and automotives areas.

We are looking forward to setting up business relationship with you and hope to provide you with the best service and solution. Let us make a better world for our industry!



Contact us

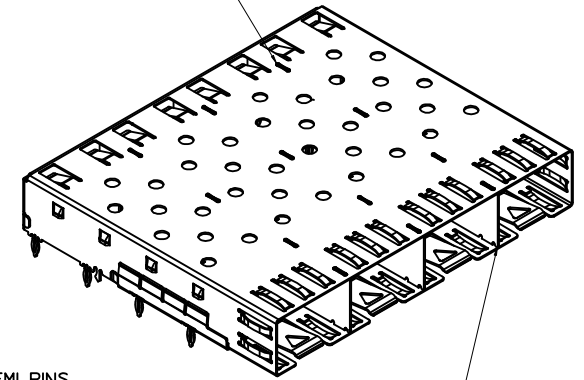
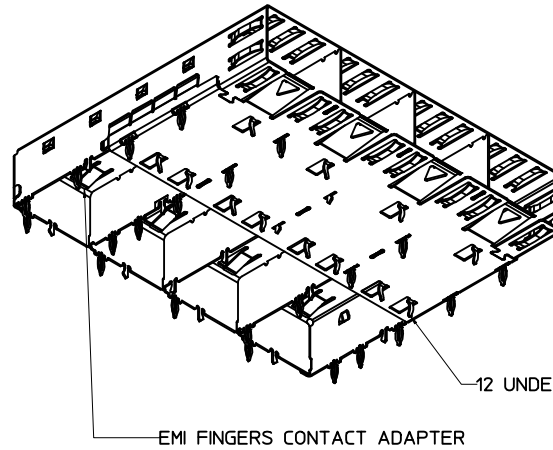
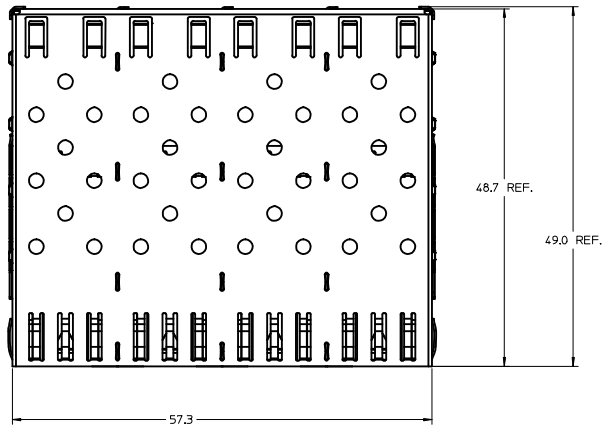
Tel: +86-755-8981 8866 Fax: +86-755-8427 6832

Email & Skype: info@chipsmall.com Web: www.chipsmall.com

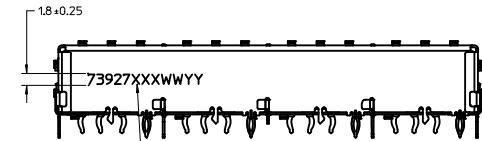
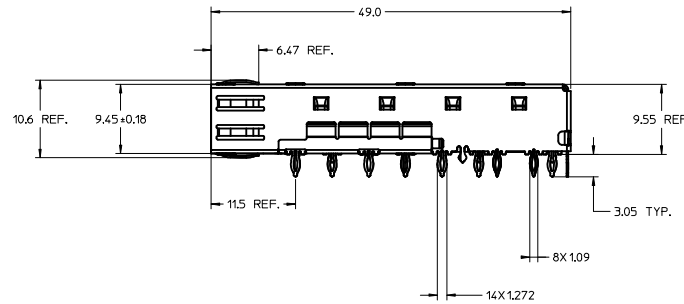
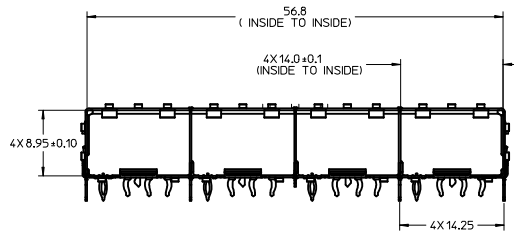
Address: A1208, Overseas Decoration Building, #122 Zhenhua RD., Futian, Shenzhen, China



MM 3D MODEL: TM-73927-0470



DIMENSIONS OF EACH INNER CAGE DESIGNED TO FUNCTION WITH SMALL FORM-FACTOR PLUGGABLE (SFP) TRANSCEIVER



PART NO. AND WEEK/YEAR DATE CODE TO BE PRINTED ON BACK OF COMPLETED CAGE ASSEMBLY APPROXIMATELY AS SHOWN. SEE TABLE BELOW FOR DATE CODE INFORMATION.

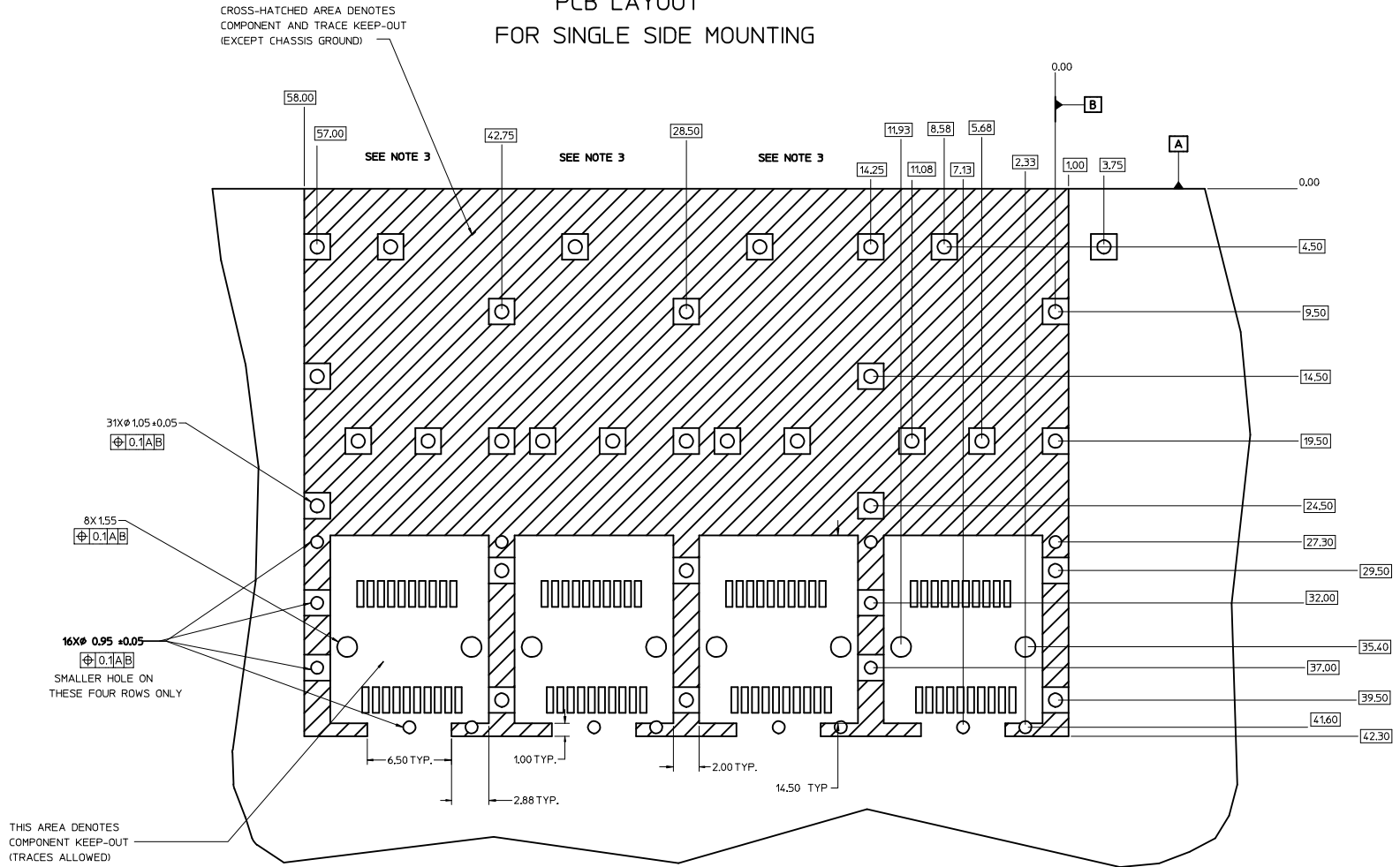
WEEK/YEAR DATE CODE TABLE	
WW	01 THRU 52 OR 53 EXAMPLE: 01 = FIRST WEEK OF YEAR 52 = LAST WEEK OF YEAR
YY	15, 16, 17 ETC. EXAMPLE: YEAR 2015 = 15

NOTES:

- PRESS FIT LEGS 3.05 MM LONG
1.57 MM MINIMUM PCB THICKNESS FOR SINGLE SIDED USE.
2.25 MM MINIMUM PCB THICKNESS FOR BELLY TO BELLY USE.
- MATERIAL: STAINLESS STEEL
- NO RoHS EXEMPTIONS

SEE REVISION TABLE EC NO: CPG2016-1266 DRAWN: THSU CHKD: APPROVED: RCHEN08	QUALITY SYMBOLS ▽=0 ▽=0 ▽=0	GENERAL TOLERANCES (UNLESS SPECIFIED)		DIMENSION STYLE		SCALE 3:1	DESIGN UNITS METRIC	THIRD ANGLE PROJECTION
		mm	INCH	MM ONLY	DATE			
		4 PLACES	± .005	± .0005	DRAWN BY	DATE	TITLE 1X4 SFP GAGED CAGE PRESS FIT 3.05MM STAINLESS STEEL	
		3 PLACES	± .013	± .001	THSU	2015/06/23		
		2 PLACES	± 0.13	± .005	CHECKED BY	DATE	DOCUMENT NO. SD-73927-0470	
		1 PLACE	± 0.25	± .01	APPROVED BY	DATE		
		0 PLACE	±	±	RCHEN08	2015/09/22	SHEET NO. 1 OF 5	
DRAFT WHERE APPLICABLE MUST REMAIN WITHIN DIMENSIONS		ANGULAR ± 1 °		MATERIAL NO. 739270470		THIS DRAWING CONTAINS INFORMATION THAT IS PROPRIETARY TO MOLEX INCORPORATED AND SHOULD NOT BE USED WITHOUT WRITTEN PERMISSION		

PCB LAYOUT FOR SINGLE SIDE MOUNTING



NOTES:

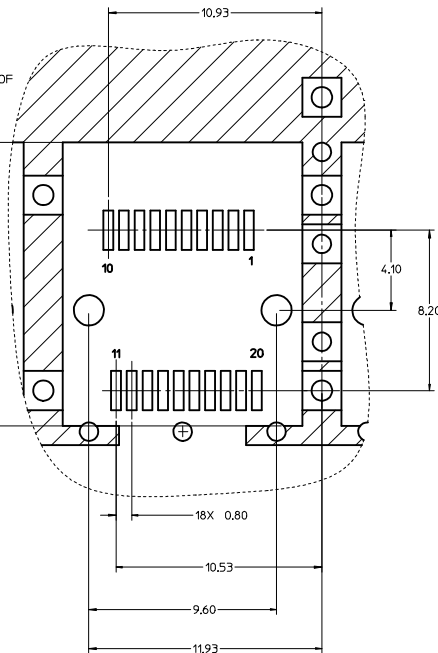
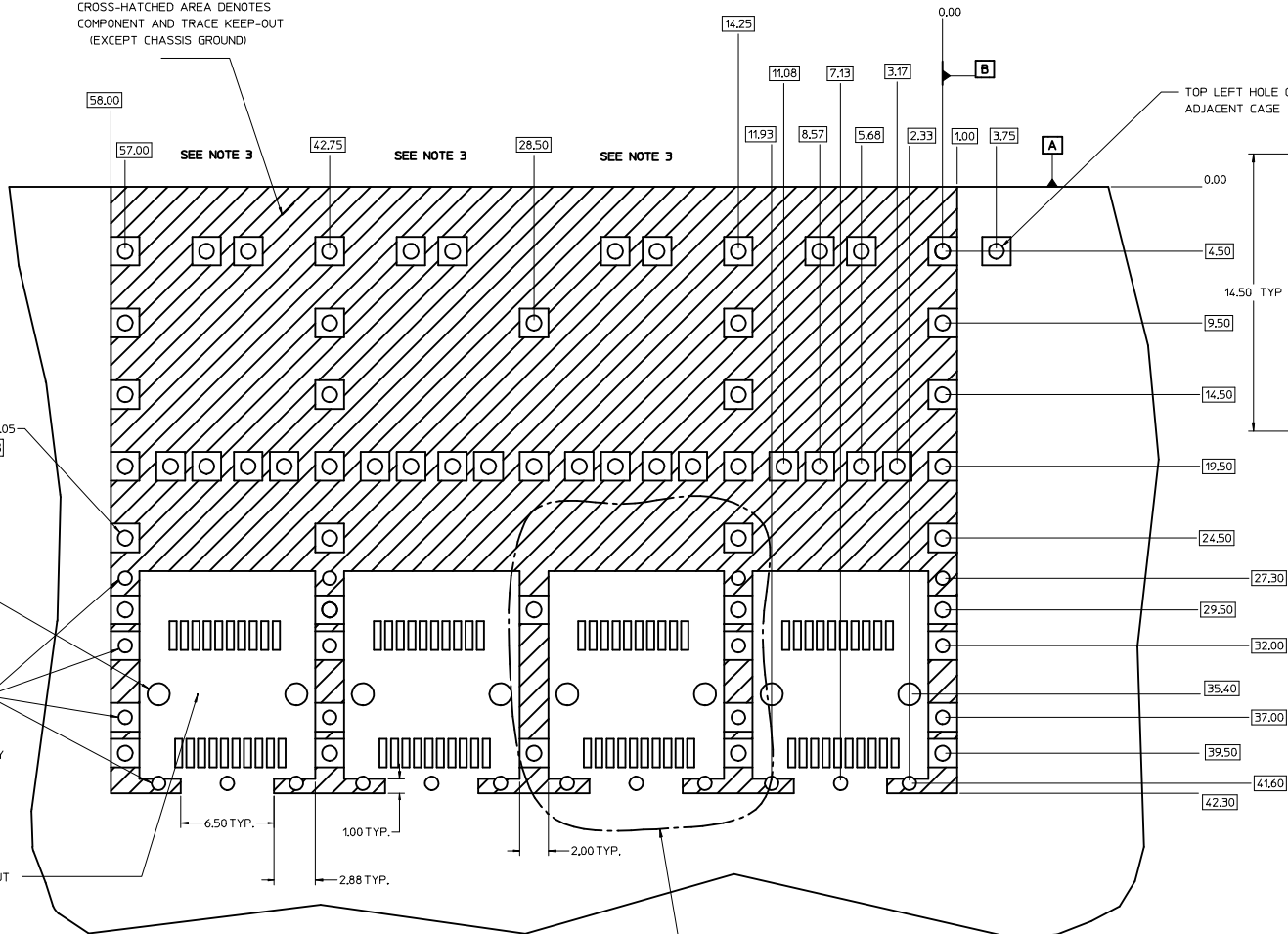
1. PADS AND VIAS GO TO CHASSIS GROUND, (34 PLACES).
RECOMMENDED PADS TO BE 2mm SQUARE
2. PLATING OPTIONAL FOR THROUGH HOLES, (12 PLACES).
3. RECOMMENDED PLATING INCLUDES HASL, IMMERSION (GOLD, SILVER, OR TIN), AND OSP.
4. HOLE PATTERN REPEATS FOR EACH PORT,
SPACING BETWEEN PORTS IS 14.25 MM
5. CONNECTOR PAD LAYOUT PER SFP MSA. WILL ACCOMODATE MOLEX
CONNECTOR SERIES 74441 OR EQUIVALENT.

SEE REVISION TABLE EC NO: CPG2016-1266 DRAWN: THSU CHKD: APPR: RCHEN08 REV: A	QUALITY SYMBOLS ∇=0 ∇=0 ∇=0	GENERAL TOLERANCES (UNLESS SPECIFIED) <table border="1" style="width: 100%; border-collapse: collapse;"> <tr> <th></th> <th>mm</th> <th>INCH</th> </tr> <tr> <td>4 PLACES</td> <td>± 0.13</td> <td>± 0.005</td> </tr> <tr> <td>3 PLACES</td> <td>± 0.15</td> <td>± 0.006</td> </tr> <tr> <td>2 PLACES</td> <td>± 0.20</td> <td>± 0.008</td> </tr> <tr> <td>1 PLACE</td> <td>± 0.25</td> <td>± 0.010</td> </tr> <tr> <td>0 PLACE</td> <td>± 0.30</td> <td>± 0.012</td> </tr> </table> ANGULAR ± 1 ° DRAFT WHERE APPLICABLE MUST REMAIN WITHIN DIMENSIONS		mm	INCH	4 PLACES	± 0.13	± 0.005	3 PLACES	± 0.15	± 0.006	2 PLACES	± 0.20	± 0.008	1 PLACE	± 0.25	± 0.010	0 PLACE	± 0.30	± 0.012	DIMENSION STYLE MM ONLY DRAWN BY: THSU CHECKED BY: DATE APPROVED BY: RCHEN08 DATE: 2015/09/22 MATERIAL NO: 739270470 DOCUMENT NO: SD-73927-0470	SCALE: 6:1 DESIGN UNITS: METRIC THIRD ANGLE PROJECTION	TITLE: 1X4 SFP GAGED CAGE PRESS FIT 3.05MM STAINLESS STEEL SHEET NO: 2 OF 5
		mm	INCH																				
	4 PLACES	± 0.13	± 0.005																				
	3 PLACES	± 0.15	± 0.006																				
2 PLACES	± 0.20	± 0.008																					
1 PLACE	± 0.25	± 0.010																					
0 PLACE	± 0.30	± 0.012																					
THIS DRAWING CONTAINS INFORMATION THAT IS PROPRIETARY TO MOLEX INCORPORATED AND SHOULD NOT BE USED WITHOUT WRITTEN PERMISSION																							
THIS AREA DENOTES COMPONENT KEEP-OUT (TRACES ALLOWED)																							
THIS AREA DENOTES COMPONENT AND TRACE KEEP-OUT (EXCEPT CHASSIS GROUND)																							

PCB LAYOUT FOR BELLY TO BELLY MOUNTING

HOST CONNECTOR DETAIL

CROSS-HATCHED AREA DENOTES
COMPONENT AND TRACE KEEP-OUT
(EXCEPT CHASSIS GROUND)



Detail1
SCALE 8:1

56X $\phi 105 \pm 0.05$
 $\phi 0.1[A/B]$

8X $\phi 155$
 $\phi 0.1[A/B]$

24X $\phi 0.95 \pm 0.05$
 $\phi 0.1[A/B]$
SMALLER HOLE ON
THESE FOUR ROWS ONLY

THIS AREA DENOTES
COMPONENT KEEP-OUT
(TRACES ALLOWED)

6.50 TYP.

1.00 TYP.

2.88 TYP.

2.00 TYP.

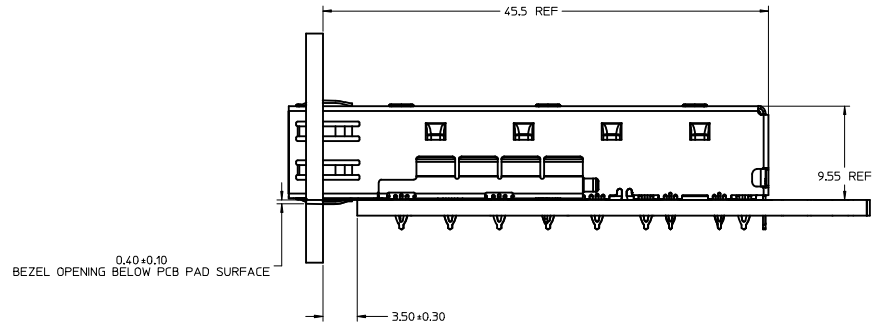
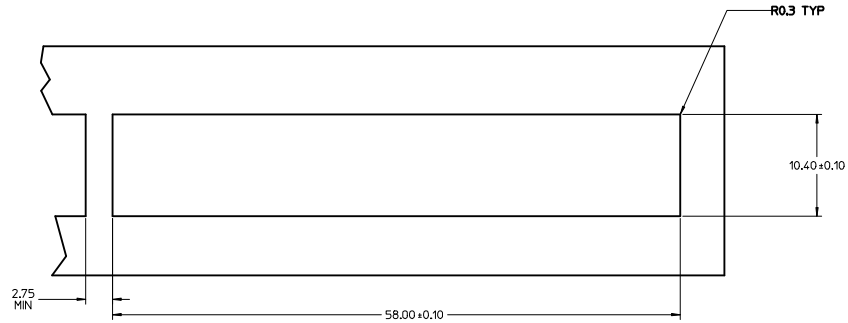
SEE Detail1

NOTES:

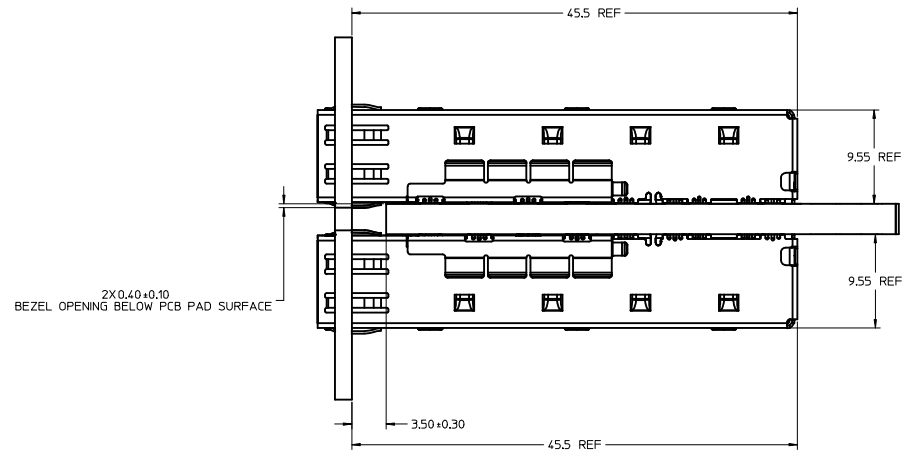
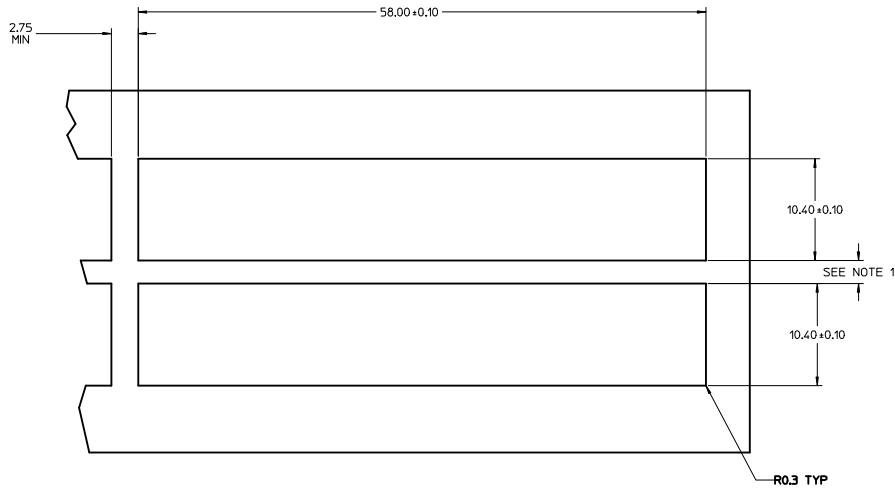
- PADS AND VIAS GO TO CHASSIS GROUND, (64 PLACES).
RECOMMENDED PADS TO BE 2mm SQUARE
- PLATING OPTIONAL FOR THROUGH HOLES, (16 PLACES).
- RECOMMENDED PLATING INCLUDES HASL, IMMERSION (GOLD, SILVER, OR TIN), AND OSP.
- HOLE PATTERN REPEATS FOR EACH PORT.
SPACING BETWEEN PORTS IS 14.25 MM
- CONNECTOR PAD LAYOUT PER SFP MSA. WILL ACCOMMODATE MOLEX
CONNECTOR SERIES 74441 OR EQUIVALENT.

SEE REVISION TABLE EEC NO: CPG2016-1266 2015/06/23 DRAWN/THSU CHKO: APPROV/RCHEN08 2015/09/22	QUALITY SYMBOLS	GENERAL TOLERANCES (UNLESS SPECIFIED)	DIMENSION STYLE	SCALE	DESIGN UNITS	THIRD ANGLE PROJECTION
	$\nabla=0$ $\nabla=0$ $\nabla=0$	mm INCH 4 PLACES ± --- ± --- 3 PLACES ± --- ± --- 2 PLACES ± 0.13 ± --- 1 PLACE ± 0.25 ± --- 0 PLACE ± ± ---	MM ONLY	6:1	METRIC	
	DRAWN BY THSU DATE 2015/06/23 CHECKED BY DATE APPROVED BY RCHEN08 DATE 2015/09/22	MATERIAL NO. 739270470 DOCUMENT NO. SD-73927-0470	TITLE 1X4 SFP GAGED CAGE PRESS FIT 3.05MM STAINLESS STEEL 			
	DRAFT WHERE APPLICABLE MUST REMAIN WITHIN DIMENSIONS	SIZE D THIS DRAWING CONTAINS INFORMATION THAT IS PROPRIETARY TO MOLEX INCORPORATED AND SHOULD NOT BE USED WITHOUT WRITTEN PERMISSION	SHEET NO. 3 OF 5			

BEZEL AND BOARD POSITION DIMENSIONS FOR SINGLE SIDE MOUNTING

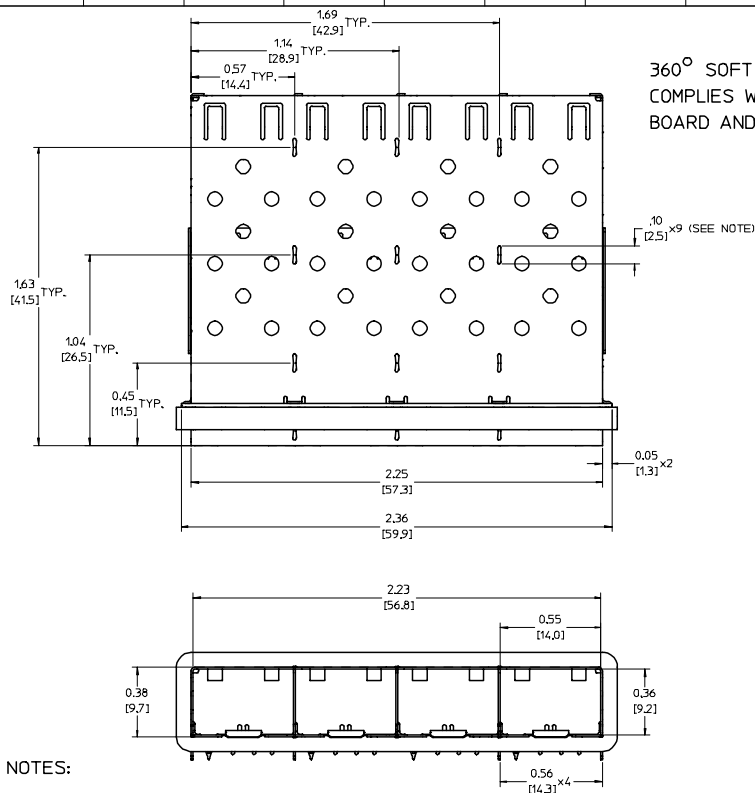


BEZEL AND BOARD POSITION DIMENSIONS FOR BELLY TO BELLY MOUNTING



NOTE:
1. PCB THICKNESS VARIATION MUST BE CONSIDERED WHEN BEZEL OPENING LOCATION

SEE REVISION TABLE IEC NO: CPG2016-1266 DRAWN: THSU CHKD: APPR: RCHEN08 DATE: 2015/06/23 DATE: 2015/09/22	QUALITY SYMBOLS	GENERAL TOLERANCES (UNLESS SPECIFIED)	DIMENSION STYLE	SCALE	DESIGN UNITS	THIRD ANGLE PROJECTION	
	▽=0	4 PLACES ± mm	MM ONLY	4:1	METRIC		
	▽=0	3 PLACES ± 0.13					
	▽=0	2 PLACES ± 0.25					
		ANGULAR ± 1 °	DRAWN BY	DATE	TITLE		
		DRAFT WHERE APPLICABLE MUST REMAIN WITHIN DIMENSIONS	THSU	2015/06/23	1X4 SFP GAGED CAGE PRESS FIT 3.05MM STAINLESS STEEL		
			CHECKED BY	DATE	APPROVED BY		
					RCHEN08 2015/09/22		
			MATERIAL NO.	DATE	DOCUMENT NO.	SHEET NO.	
			739270470		SD-73927-0470	4 OF 5	
			THIS DRAWING CONTAINS INFORMATION THAT IS PROPRIETARY TO MOLEX INCORPORATED AND SHOULD NOT BE USED WITHOUT WRITTEN PERMISSION				



- NOTES:
- PRESS FIT LEGS .120" LONG-
0.062 [1.57] MINIMUM PCB THICKNESS FOR SINGLE SIDED USE.
0.118 [3.00] MINIMUM PCB THICKNESS FOR BELLY TO BELLY USE.

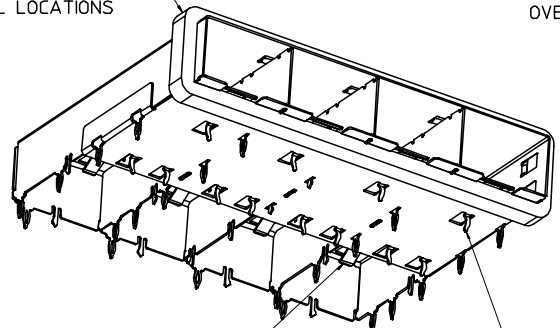
2. MATERIAL: COPPER ALLOY
PLATING: NONE

NOTE: A NICKEL PLATED VERSION OF THIS ASSEMBLY IS AVAILABLE.
REFER TO DOCUMENT SD-74728-420

3. REFERENCE DOCUMENTS:
PRODUCT SPECIFICATION: PS-74728-000
COSMETIC SPECIFICATIONS: WI-HP-7-2774 AND WI-HPA-7-0093
TEST SUMMARY: TS-74728-0415

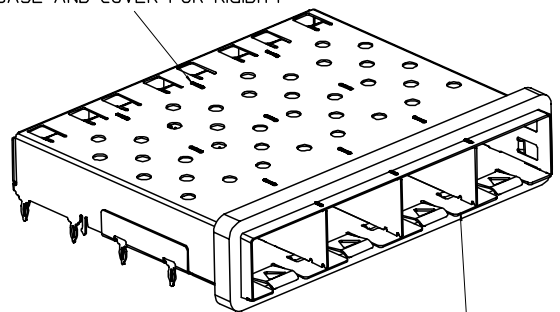
4. THIS PART MEETS THE RESTRICTION OF HAZARDOUS SUBSTANCES IN ELECTRICAL AND ELECTRONIC EQUIPMENT (ROHS) DIRECTIVE (2002/95/EC).

360° SOFT EMI BEZEL GASKET COMPLIES WITH (SFP) MSA BOARD AND BEZEL LOCATIONS

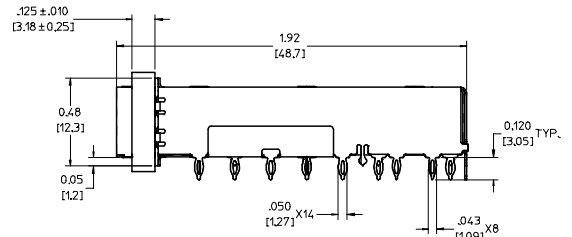


EMI FINGERS CONTACT ADAPTER
12 UNDER BELLY EMI PINS

INNER WALL TABS ARE COINED OVER BASE AND COVER FOR RIGIDITY



DIMENSIONS OF EACH INNER CAGE DESIGNED TO FUNCTION WITH SMALL FORM-FACTOR PLUGGABLE (SFP) TRANSCEIVER

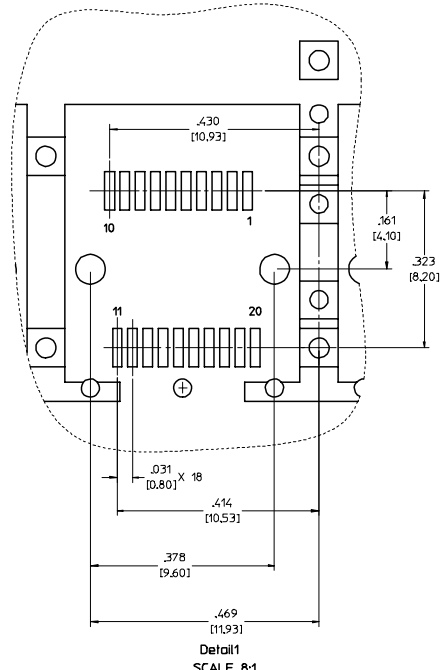
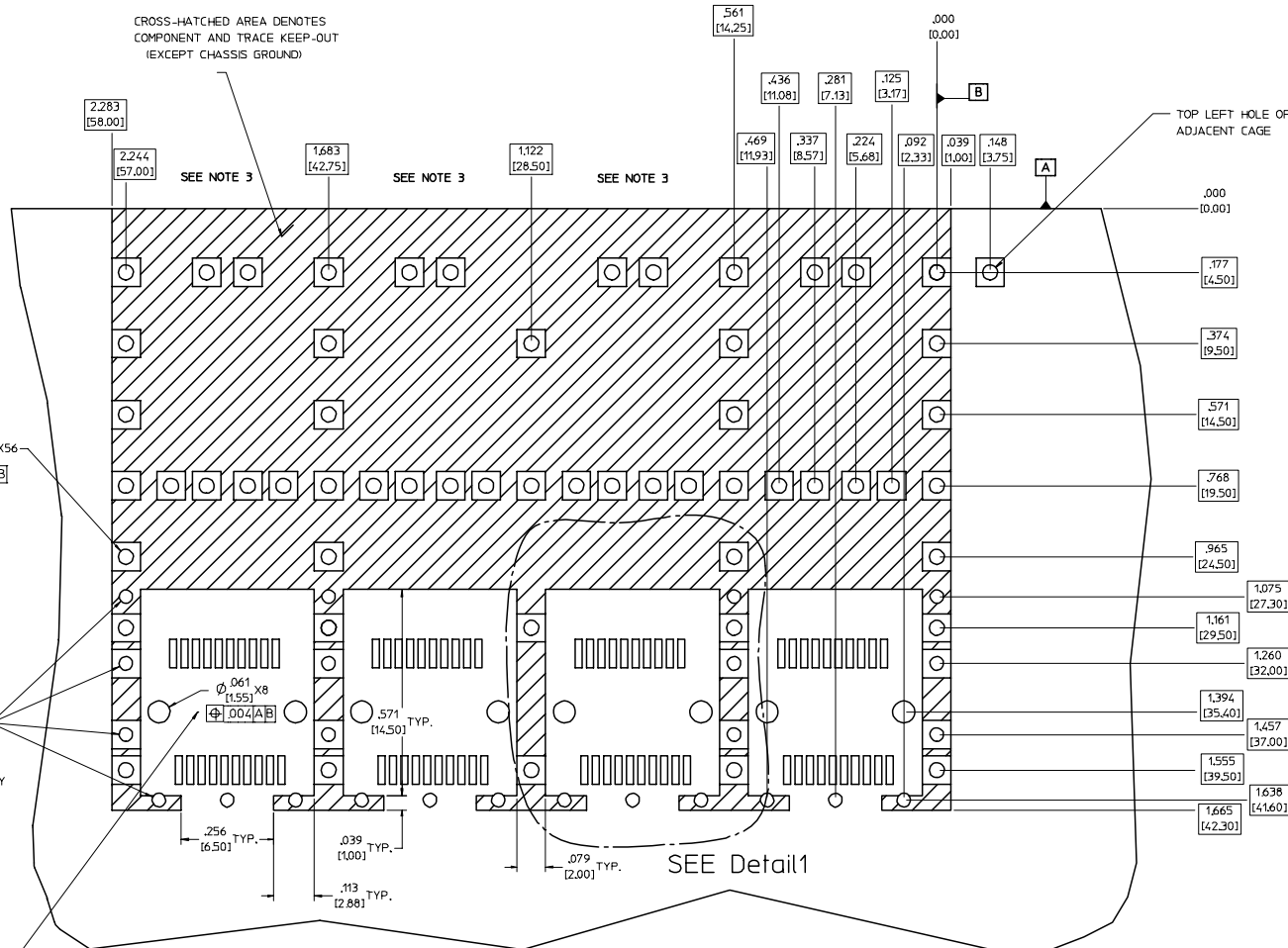


ENTER DESCRIPTION EC NO: USY2006-0078 D: DRINKS/ROBINSON 2006/01/17 C: CHPK/BRUSSELL 2006/01/28 APPR: BRUSSELL 2006/01/25 REV DESCRIPTION	QUALITY SYMBOLS	GENERAL TOLERANCES (UNLESS SPECIFIED)	DIMENSION STYLE	SCALE	DESIGN UNITS	THIRD ANGLE PROJECTION	
	▽=0 ▽=0	mm INCH 4 PLACES ± --- ± --- 3 PLACES ± --- ± .005 2 PLACES ± 0.13 ± .01 1 PLACE ± 0.25 ± --- ANGULAR ± 1 °	IN/MM	3:1	METRIC	DRAWN BY: KS IMONSO CHECKED BY: BRUSSELL APPROVED BY: BRUSSELL DATE: 2003/05/30 DATE: 2003/05/30 DATE: 2003/05/30	
	DRAFT WHERE APPLICABLE MUST REMAIN WITHIN DIMENSIONS		MATERIAL NO. 739270401	DOCUMENT NO. SD-73927-401		TITLE: 1X4 SFP GANGED CAGE ASSEMBLY, PRESS FIT MOLEX INCORPORATED	
			SIZE D	THIS DRAWING CONTAINS INFORMATION THAT IS PROPRIETARY TO MOLEX INCORPORATED AND SHOULD NOT BE USED WITHOUT WRITTEN PERMISSION		SHEET NO. 1 OF 5	

PCB LAYOUT FOR BELLY TO BELLY MOUNTING

CROSS-HATCHED AREA DENOTES
COMPONENT AND TRACE KEEP-OUT
(EXCEPT CHASSIS GROUND)

HOST CONNECTOR DETAIL



$\varnothing .041 \pm .002$ X56
[1.05 ± 0.05]
[.004] [A] [B]

$\varnothing .037 \pm .002$ X24
[0.95 ± 0.05]
[.004] [A] [B]
SMALLER HOLE ON
THESE FOUR ROWS ONLY

SEE Detail1

THIS AREA DENOTES
COMPONENT KEEP-OUT
(TRACES ALLOWED)

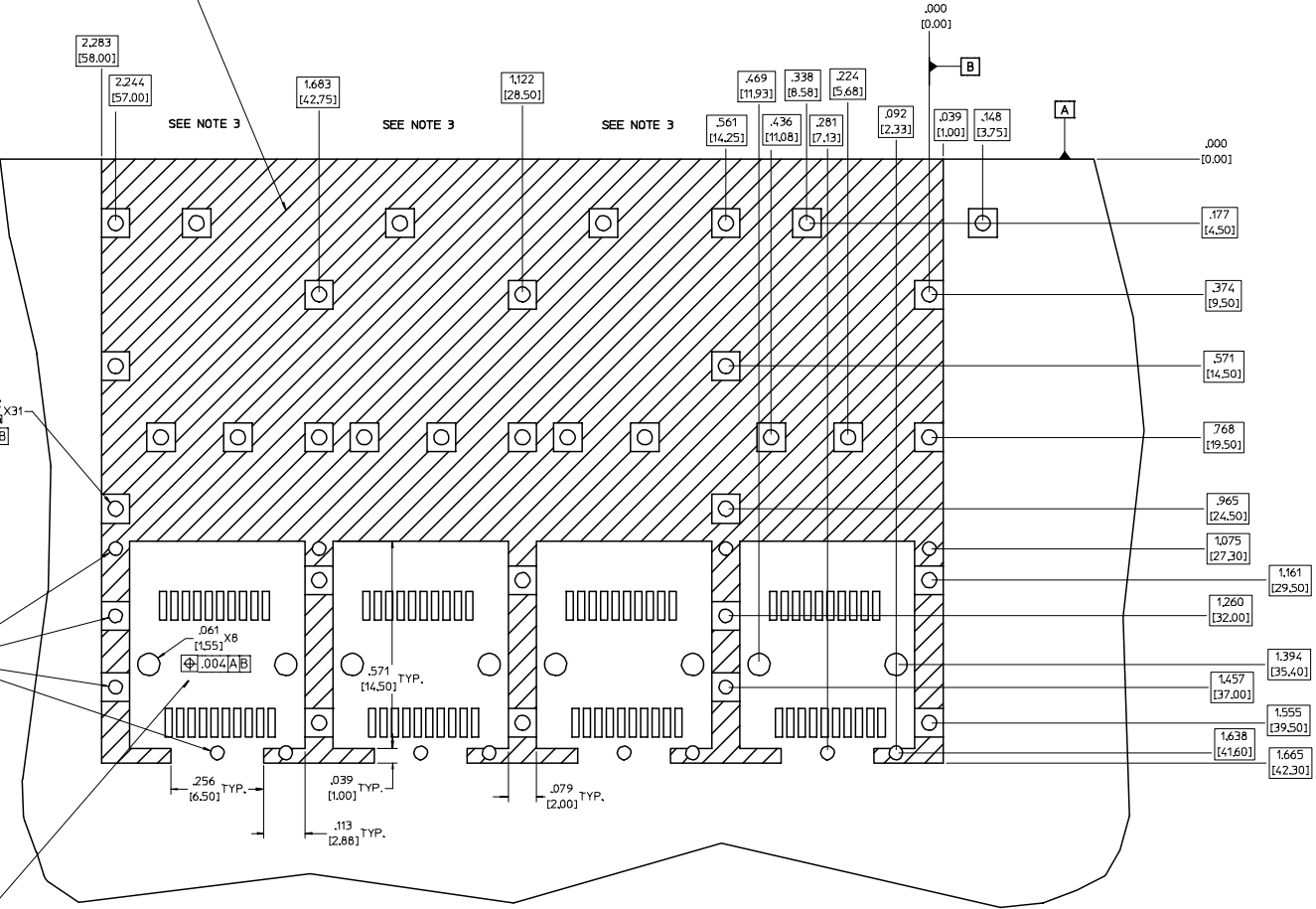
- NOTES:
1. PADS AND VIAS GO TO CHASSIS GROUND. (64 PLACES). RECOMMENDED PADS TO BE 2mm SQUARE
 2. PLATING OPTIONAL FOR THROUGH HOLES (16 PLACES).
 3. RECOMMENDED PLATING INCLUDES HASL, IMMERSION (GOLD, SILVER, OR TIN), AND OSP.
 4. HOLE PATTERN REPEATS FOR EACH PORT. SPACING BETWEEN PORTS IS 5.61 [14.25]
 5. CONNECTOR PAD LAYOUT PER SFP HSA. WILL ACCOMMODATE MOLEX CONNECTOR SERIES 74441 OR EQUIVALENT.

Detail1
SCALE 8:1

ENTER DESCRIPTION EC NO: UST2006-0078 DRINKS MONSON 2006/01/17 CHK:BRUSSELL 2006/01/28 APPR:BRUSSELL 2006/01/28 REV DESCRIPTION	QUALITY SYMBOLS	GENERAL TOLERANCES (UNLESS SPECIFIED)	DIMENSION STYLE	SCALE	DESIGN UNITS	THIRD ANGLE PROJECTION
	$\nabla=0$ $\nabla=0$	mm INCH 4 PLACES ± --- ± --- 3 PLACES ± --- ± .005 2 PLACES ± 0.13 ± .01 1 PLACE ± 0.25 ± --- ANGULAR ± 1 °	IN/MM DRAWN BY DATE KS IMONSO 2003/05/30 CHECKED BY DATE BRUSSELL 2003/05/30 APPROVED BY DATE BRUSSELL 2003/05/30	6:1	METRIC	TITLE 1X4 SFP GANGED CAGE ASSEMBLY, PRESS FIT
	DRAFT WHERE APPLICABLE MUST REMAIN WITHIN DIMENSIONS	MATERIAL NO: 739270401	DOCUMENT NO: SD-73927-401	MOLEX MOLEX INCORPORATED		
	SIZE D	THIS DRAWING CONTAINS INFORMATION THAT IS PROPRIETARY TO MOLEX INCORPORATED AND SHOULD NOT BE USED WITHOUT WRITTEN PERMISSION				

PCB LAYOUT FOR SINGLE SIDE MOUNTING

CROSS-HATCHED AREA DENOTES
COMPONENT AND TRACE KEEP-OUT
(EXCEPT CHASSIS GROUND)



THIS AREA DENOTES
COMPONENT KEEP-OUT
(TRACES ALLOWED)

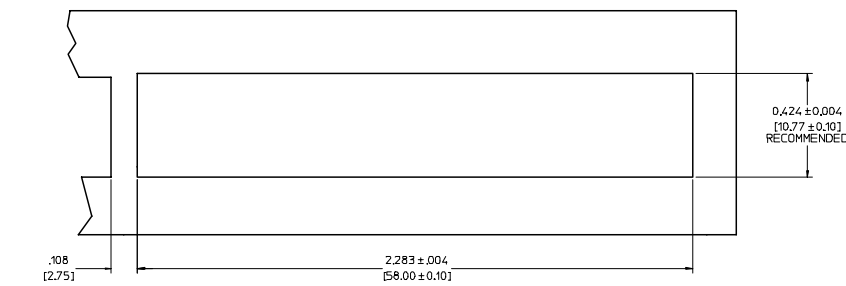
- NOTES:**
- PADS AND VIAS GO TO CHASSIS GROUND, (34 PLACES). RECOMMENDED PADS TO BE 2mm SQUARE
 - PLATING OPTIONAL FOR THROUGH HOLES (12 PLACES).
 - RECOMMENDED PLATING INCLUDES HASL, IMMERSION (GOLD, SILVER, OR TIN), AND OSP.
 - HOLE PATTERN REPEATS FOR EACH PORT. SPACING BETWEEN PORTS IS 5.61 [14.25]
 - CONNECTOR PAD LAYOUT PER SFP MSA. WILL ACCOMMODATE MOLEX CONNECTOR SERIES 74441 OR EQUIVALENT.

ENTER DESCRIPTION EC NO: UST2006-0078 DR: DRANKS MONSON 2006/01/17 CHK: BRUSSELL 2006/01/28 APPR: BRUSSELL 2006/01/25 DESCRIPTION	QUALITY SYMBOLS	GENERAL TOLERANCES (UNLESS SPECIFIED)	DIMENSION STYLE	SCALE	DESIGN UNITS	THIRD ANGLE PROJECTION
	▽=0 ▽=0	mm INCH 4 PLACES ± --- ± --- 3 PLACES ± --- ± .005 2 PLACES ± 0.13 ± .01 1 PLACE ± 0.25 ± --- ANGULAR ± 1 °	IN/MM DRAWN BY DATE KS IMONSO 2003/05/30 CHECKED BY DATE BRUSSELL 2003/05/30 APPROVED BY DATE BRUSSELL 2003/05/30	6:1	METRIC	TITLE 1X4 SFP GANGED CAGE ASSEMBLY, PRESS FIT
	DRAFT WHERE APPLICABLE MUST REMAIN WITHIN DIMENSIONS	MATERIAL NO: 739270401	DOCUMENT NO: SD-73927-401	MOLEX INCORPORATED		SHEET NO: 3 OF 5
	THIS DRAWING CONTAINS INFORMATION THAT IS PROPRIETARY TO MOLEX INCORPORATED AND SHOULD NOT BE USED WITHOUT WRITTEN PERMISSION					

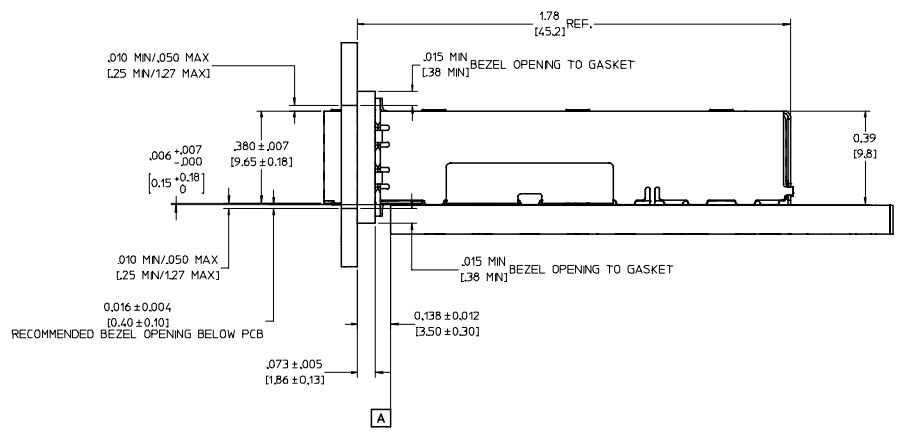
20 19 18 17 16 15 14 13 12 11 10 9 8 7 6 5 4 3 2 1

M L K J I H G F E D C B A

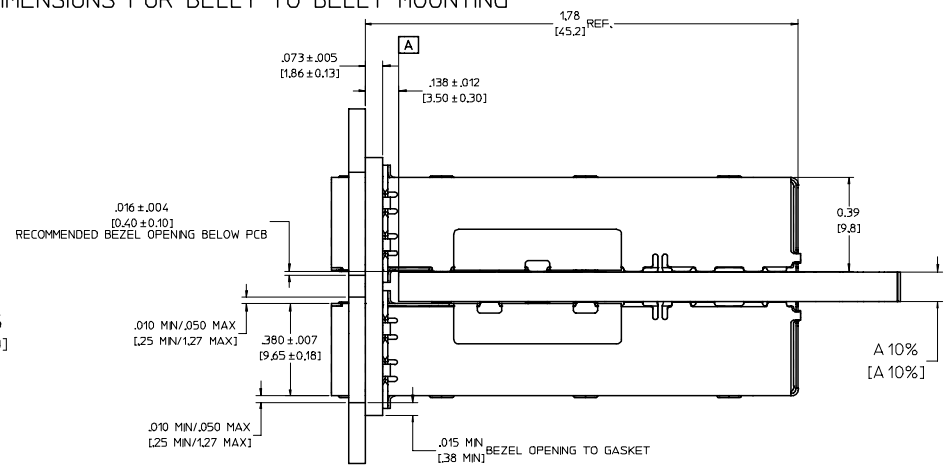
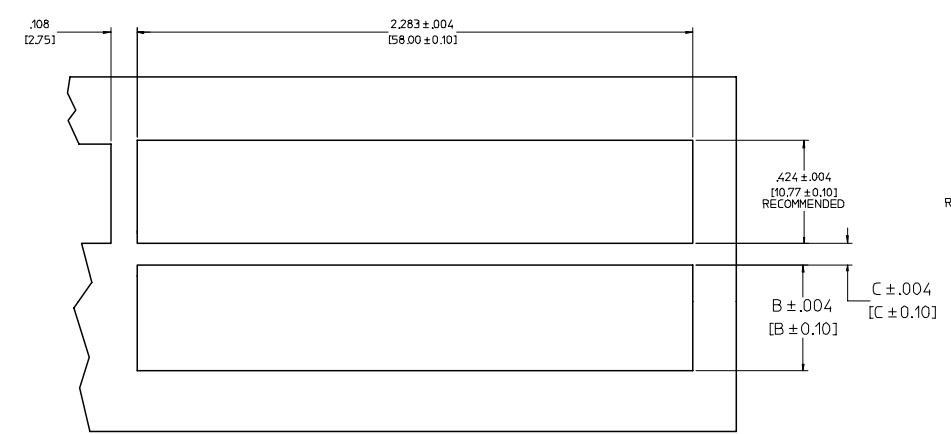
M L K J I H G F E D C B A



BEZEL AND BOARD POSITION DIMENSIONS FOR SINGLE SIDE MOUNTING



BEZEL AND BOARD POSITION DIMENSIONS FOR BELLY TO BELLY MOUNTING



NOTE: FOR A GIVEN BOARD THICKNESS (A), DIMENSIONS (B) AND (C) ARE DIRECTLY AFFECTED.

USE RECOMMENDED DIMENSIONS AND TOLERANCES TO AID IN DEVELOPING BEZEL OPENING.

FOR EXAMPLE USING A BOARD THICKNESS OF .125" THE RECOMMENDED VALUES WOULD BE:

- A= .125/3.18 ± 10%
- B= .434/11.03 ± .004
- C= .088/2.23 ± .004

ENTER DESCRIPTION EC NO: UST2006-0078 DR: WINKS/ROBINSON 2006/01/17 CHKD: BRUSSELL 2006/01/28 APPR: BRUSSELL 2006/01/25	QUALITY SYMBOLS ▽=0 ▽=0	GENERAL TOLERANCES (UNLESS SPECIFIED) mm INCH 4 PLACES ± --- ± --- 3 PLACES ± --- ± .005 2 PLACES ± 0.13 ± .01 1 PLACE ± 0.25 ± --- ANGULAR ± 1 °	DIMENSION STYLE IN/MM DRAWN BY DATE KS IMONSO 2003/05/30 CHECKED BY DATE BRUSSELL 2003/05/30 APPROVED BY DATE BRUSSELL 2003/05/30	SCALE 4:1	DESIGN UNITS METRIC	THIRD ANGLE PROJECTION
	DRAFT WHERE APPLICABLE MUST REMAIN WITHIN DIMENSIONS	MATERIAL NO. 739270401	DOCUMENT NO. SD-73927-401	SHEET NO. 4 OF 5		

TITLE
1X4 SFP GANGED CAGE ASSEMBLY, PRESS FIT
 MOLEX INCORPORATED

19 18 17 16 15 14 13 12 11 10 9 8 7 6 5 4 3 2 1

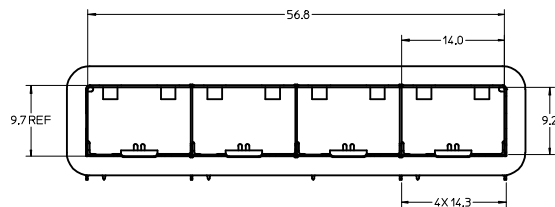
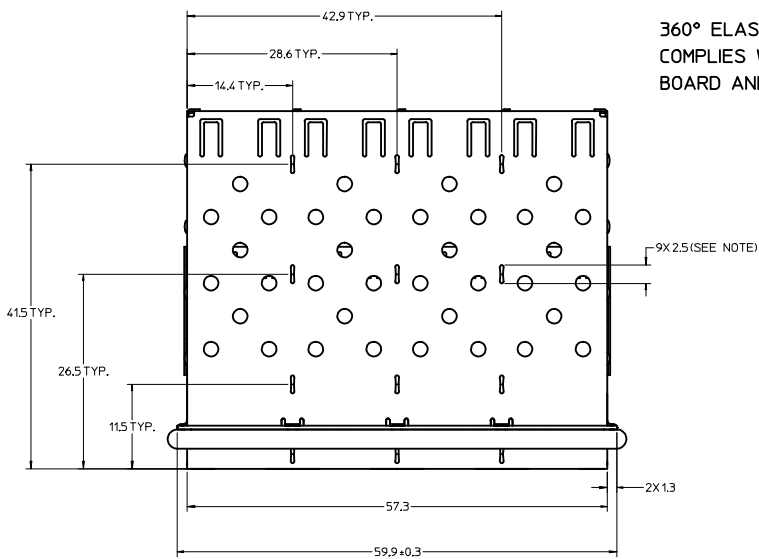
20 19 18 17 16 15 14 13 12 11 10 9 8 7 6 5 4 3 2 1

M
L
K
J
I
H
G
F
E
D
C
B
A

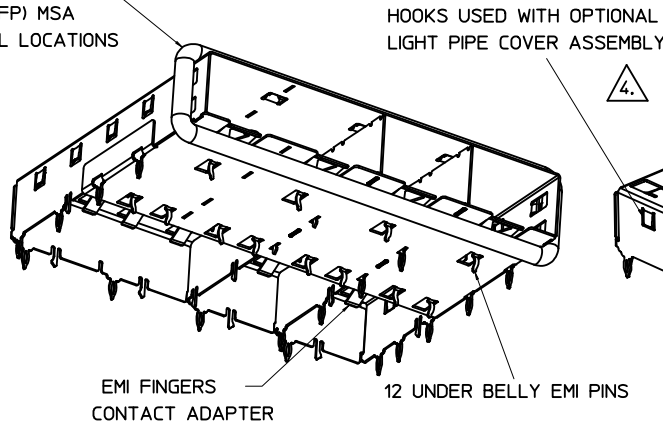
DATE	REV	CHANGES	COMMENTS
05/29/2003	A	INITIAL RELEASE	N/A
03/25/2004	B	UPDATE VIEWS WITH COVER MODIFICATIONS	N/A
10/12/2004	C	UPDATED VIEWS	DOCUMENT CHANGE ONLY
10/07/2005	D	ADDED PCB AND BEZEL LAYOUT. UPDATED NOTES.	DOCUMENT CHANGE ONLY

ENTER DESCRIPTION EC NO: UST2006-0078 D DRWNSKIMONSON 2006/01/17 CHKCD:BRUSSELL 2006/01/28 APPR:BRUSSELL 2006/01/28 REV DESCRIPTION	QUALITY SYMBOLS	GENERAL TOLERANCES (UNLESS SPECIFIED)	DIMENSION STYLE	SCALE	DESIGN UNITS	THIRD ANGLE PROJECTION																		
	▽=0 ▽=0	<table border="1"> <tr> <th></th> <th>mm</th> <th>INCH</th> </tr> <tr> <td>4 PLACES ± ---</td> <td>± ---</td> <td>± ---</td> </tr> <tr> <td>3 PLACES ± ---</td> <td>± .005</td> <td>± .005</td> </tr> <tr> <td>2 PLACES ± 0.13</td> <td>± .01</td> <td>± .01</td> </tr> <tr> <td>1 PLACE ± 0.25</td> <td>± ---</td> <td>± ---</td> </tr> <tr> <td>ANGULAR ± 1 °</td> <td></td> <td></td> </tr> </table>		mm	INCH	4 PLACES ± ---	± ---	± ---	3 PLACES ± ---	± .005	± .005	2 PLACES ± 0.13	± .01	± .01	1 PLACE ± 0.25	± ---	± ---	ANGULAR ± 1 °			IN/MM	1:1	METRIC	
		mm	INCH																					
	4 PLACES ± ---	± ---	± ---																					
3 PLACES ± ---	± .005	± .005																						
2 PLACES ± 0.13	± .01	± .01																						
1 PLACE ± 0.25	± ---	± ---																						
ANGULAR ± 1 °																								
			DRAWN BY: KS IMONSON DATE: 2003/05/30 CHECKED BY: BRUSSELL DATE: 2003/05/30 APPROVED BY: BRUSSELL DATE: 2003/05/30			TITLE: 1X4 SFP GANGED CAGE ASSEMBLY, PRESS FIT MOLEX INCORPORATED																		
		DRAFT WHERE APPLICABLE MUST REMAIN WITHIN DIMENSIONS	MATERIAL NO.: 739270401 SIZE: D		DOCUMENT NO.: SD-73927-401	SHEET NO.: 5 OF 5																		

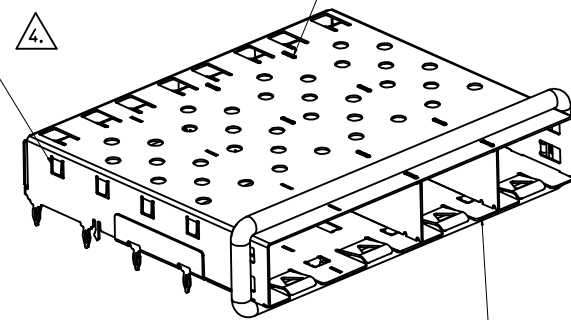
19 18 17 16 15 14 13 12 11 10 9 8 7 6 5 4 3 2 1



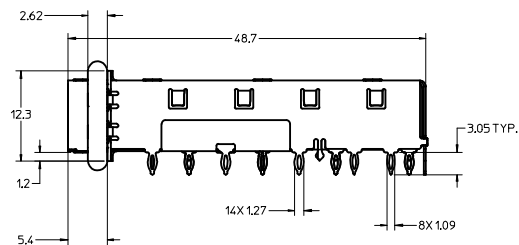
360° ELASTOMER GASKET COMPLIES WITH (SFP) MSA BOARD AND BEZEL LOCATIONS



INNER WALL TABS ARE COINED OVER BASE AND COVER FOR RIGIDITY



DIMENSIONS OF EACH INNER CAGE DESIGNED TO FUNCTION WITH SMALL FORM-FACTOR PLUGGABLE (SFP) TRANSCEIVER



PART NUMBER	ELASTOMERIC GASKET FLAMMABILITY RATING
747280415	
747280424	EQUATE TO UL94 V-0

NOTES:

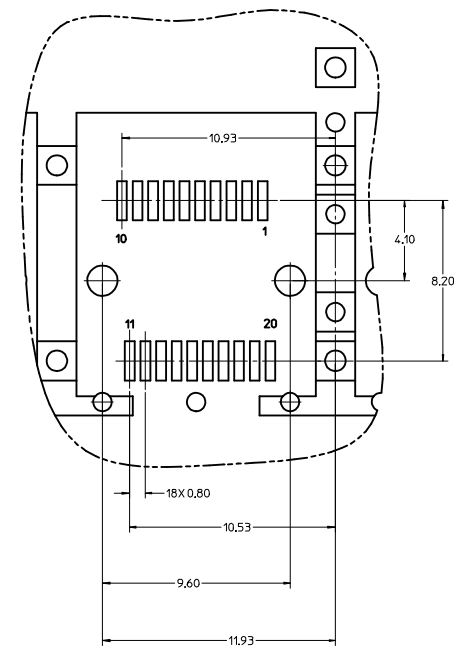
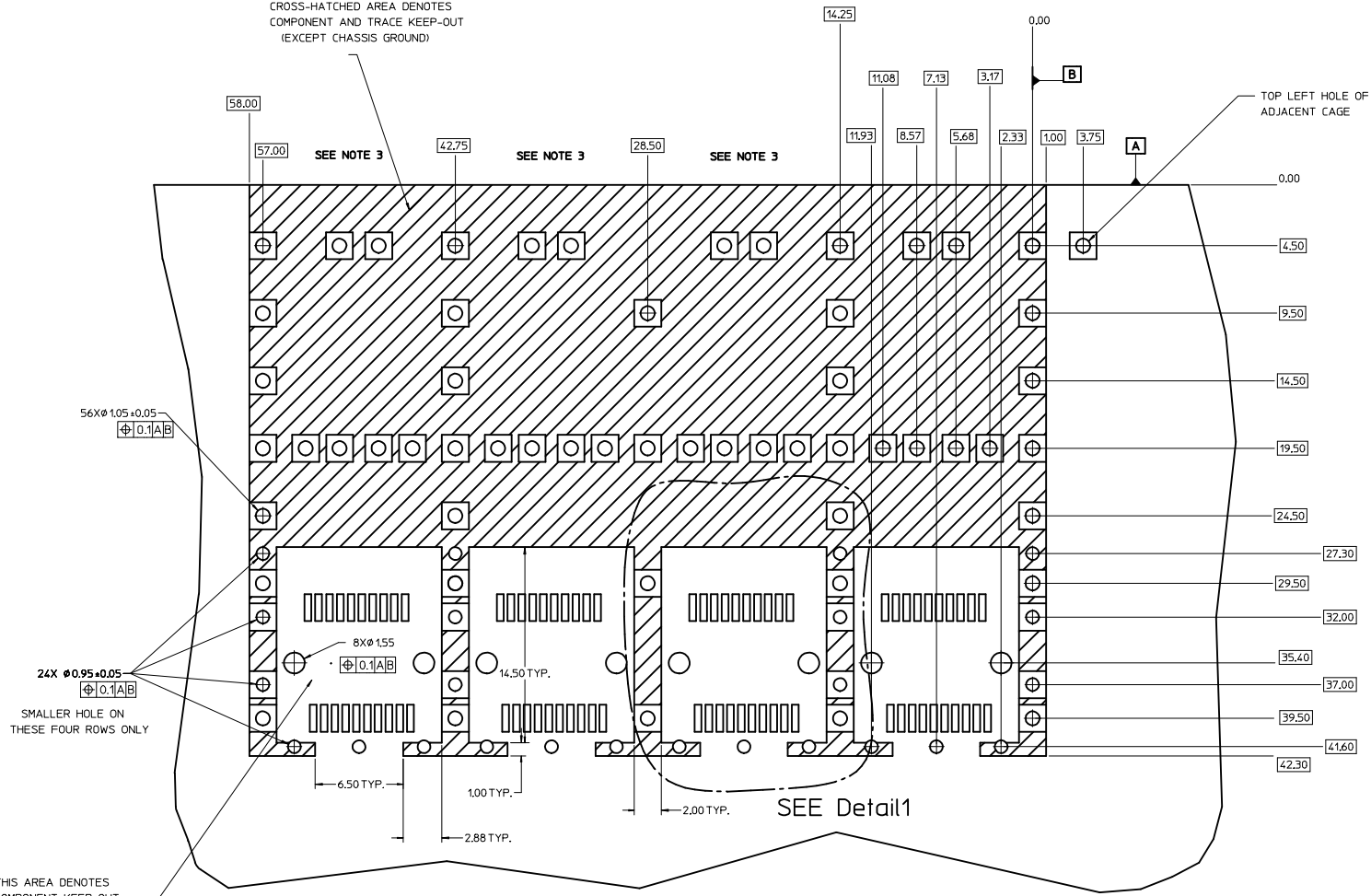
- PRESS FIT LEGS 3.05 LONG-
1.57 MINIMUM PCB THICKNESS FOR SINGLE SIDED USE.
3.00 MINIMUM PCB THICKNESS FOR BELLY TO BELLY USE.
 - MATERIAL: COPPER ALLOY
PLATING: NONE.
NOTE: A PRE-PLATED NICKEL VERSION IS AVAILABLE.
REFER TO DOCUMENT SD-74728-420.
 - REFERENCE DOCUMENTS:
PRODUCT SPECIFICATION: PS-74728-000.
COSMETIC SPECIFICATIONS: WI-HP-7-2774 AND WI-HPA-7-0093.
TEST SUMMARY: TS-74728-0415.
- ▲ MATES WITH SERIES 74728, LIGHT PIPE COVER ASSEMBLY.
5. NO ROHS EXEMPTIONS.

SEE REVISION TABLE EC NO: CPG2014-3390 DRAWN LIZO 2014/05/09 CHYKORCHENOS 2014/05/09 APPR RCHENOS 2014/06/30 REV DESCRIPTION	QUALITY SYMBOLS	GENERAL TOLERANCES (UNLESS SPECIFIED)	DIMENSION STYLE	SCALE	DESIGN UNITS	THIRD ANGLE PROJECTION	
	▽=0	mm INCH	MM ONLY	3:1	METRIC		
	▽=0	4 PLACES ± ---	DRAWN BY DATE			TITLE	
	▽=0	2 PLACES ± 0.13	KS IMONSO 2004/10/09			1X4 SFP GANGED CAGE ASSY, W/ 0.103 GASKET PRESS FIT, F/ LIGHT PIPE	
	ANGULAR ± 1 °	1 PLACE ± 0.25	CHECKED BY DATE				
	DRAFT WHERE APPLICABLE MUST REMAIN WITHIN DIMENSIONS	0 PLACE ±	APPROVED BY DATE				
			BRUSSELL 2004/10/09				
			MATERIAL NO.	DOCUMENT NO.			
			SEE P/N TABLE	SD-74728-415			
						SHEET NO. 1 OF 5	
			THIS DRAWING CONTAINS INFORMATION THAT IS PROPRIETARY TO MOLEX INCORPORATED AND SHOULD NOT BE USED WITHOUT WRITTEN PERMISSION				

PCB LAYOUT FOR BELLY TO BELLY MOUNTING

CROSS-HATCHED AREA DENOTES
COMPONENT AND TRACE KEEP-OUT
(EXCEPT CHASSIS GROUND)

HOST CONNECTOR DETAIL



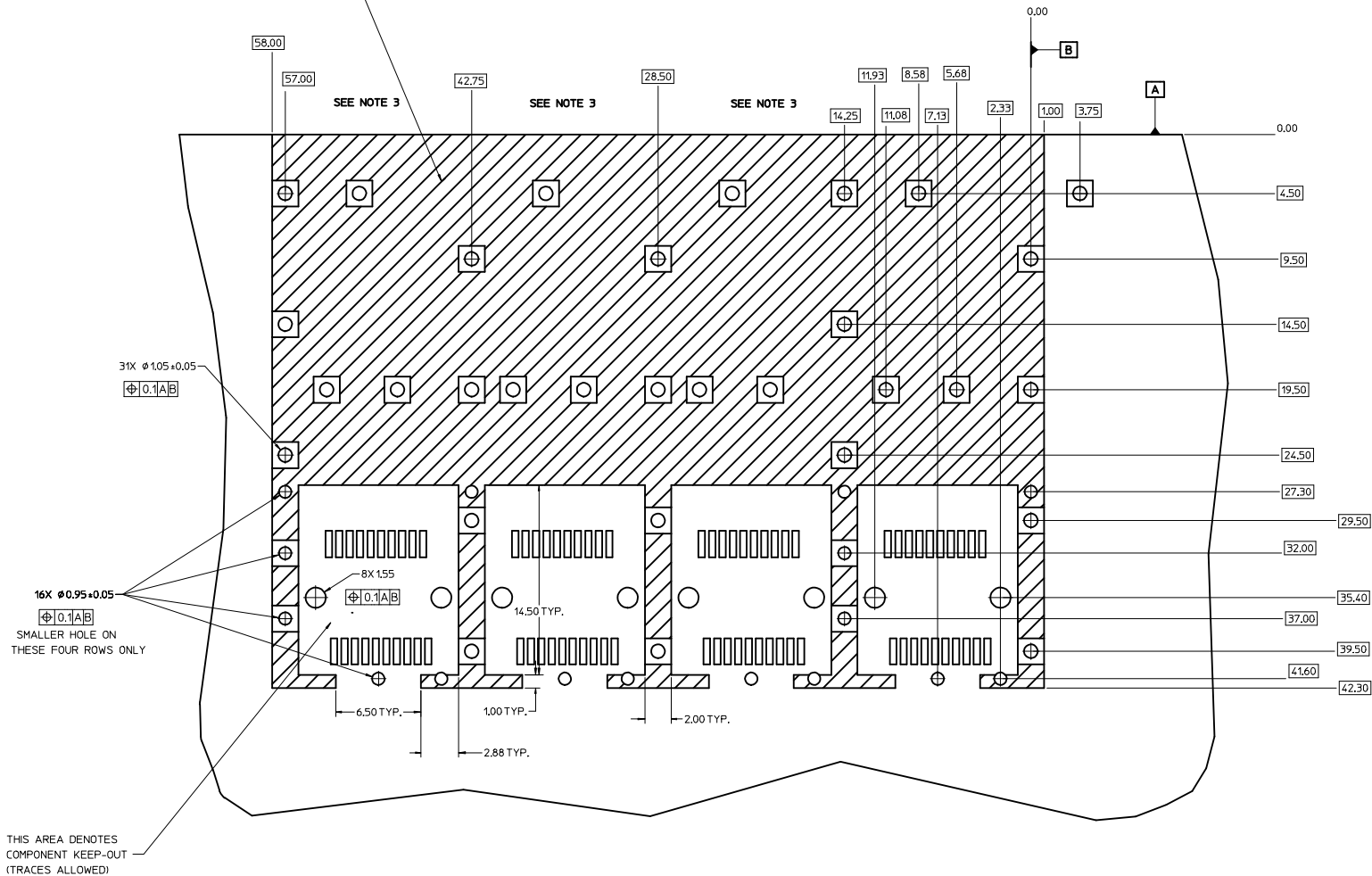
Detail1
SCALE 8:1

- NOTES:**
- PADS AND VIAS GO TO CHASSIS GROUND, (64 PLACES). RECOMMENDED PADS TO BE 2mm SQUARE
 - PLATING OPTIONAL FOR THROUGH HOLES, (16 PLACES).
 - RECOMMENDED PLATING INCLUDES HASL, IMMERSION (GOLD, SILVER, OR TIN), AND OSP.
 - HOLE PATTERN REPEATS FOR EACH PORT, SPACING BETWEEN PORTS IS 14.25

REV		DESCRIPTION	QUALITY SYMBOLS	GENERAL TOLERANCES (UNLESS SPECIFIED)	DIMENSION STYLE	SCALE	DESIGN UNITS	THIRD ANGLE PROJECTION
SEE REVISION TABLE					MM ONLY	6:1	METRIC	THIRD ANGLE PROJECTION
EC NO: CPG2014-3390	2014/05/09	DRWNLUZO	▽=0	4 PLACES ± --- ± ---	DATE			TITLE
CHKORCHEN08	2014/05/09	2014/05/09	▽=0	3 PLACES ± --- ± ---	CHECKED BY			1X4 SFP GANGED CAGE ASSY, W/ 0.103 GASKET PRESS FIT, F/ LIGHT PIPE
APPRORCHEN08	2014/06/30	2014/06/30	▽=0	2 PLACES ± 0.13 ± ---	DATE			
				1 PLACE ± 0.25 ± ---	APPROVED BY			
				0 PLACE ± ±	DATE			
				ANGULAR ± 1 °	BRUSSELL	2004/10/09		
				DRAFT WHERE APPLICABLE MUST REMAIN WITHIN DIMENSIONS	DATE			
					BRUSSELL	2004/10/09		
					MATERIAL NO.			
					SEE P/N TABLE			
					DOCUMENT NO.			
					SD-74728-415			
					SHEET NO.			
					2 OF 5			

PCB LAYOUT FOR SINGLE SIDE MOUNTING

CROSS-HATCHED AREA DENOTES
COMPONENT AND TRACE KEEP-OUT
(EXCEPT CHASSIS GROUND)



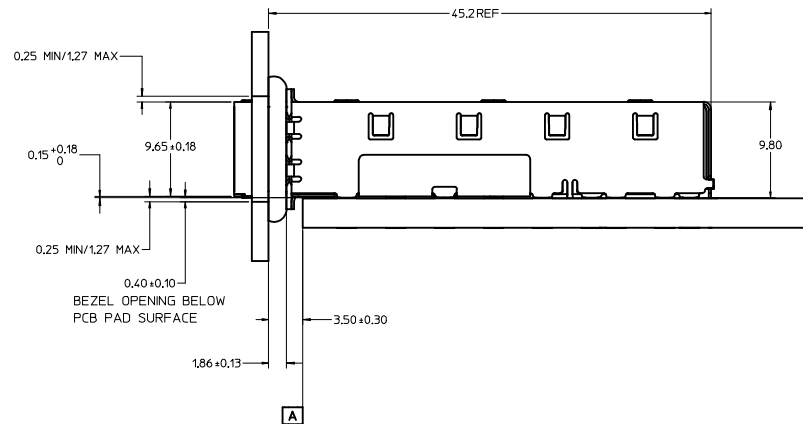
NOTES:

1. PADS AND VIAS GO TO CHASSIS GROUND, (34 PLACES). RECOMMENDED PADS TO BE 2mm SQUARE
2. PLATING OPTIONAL FOR THROUGH HOLES, (12 PLACES).
3. RECOMMENDED PLATING INCLUDES HASL, IMMERSION (GOLD, SILVER, OR TIN), AND OSP.
4. HOLE PATTERN REPEATS FOR EACH PORT, SPACING BETWEEN PORTS IS 14.25

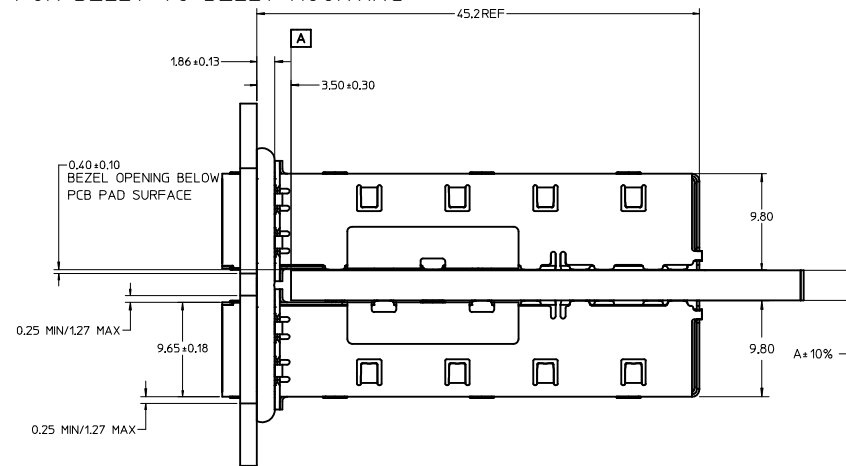
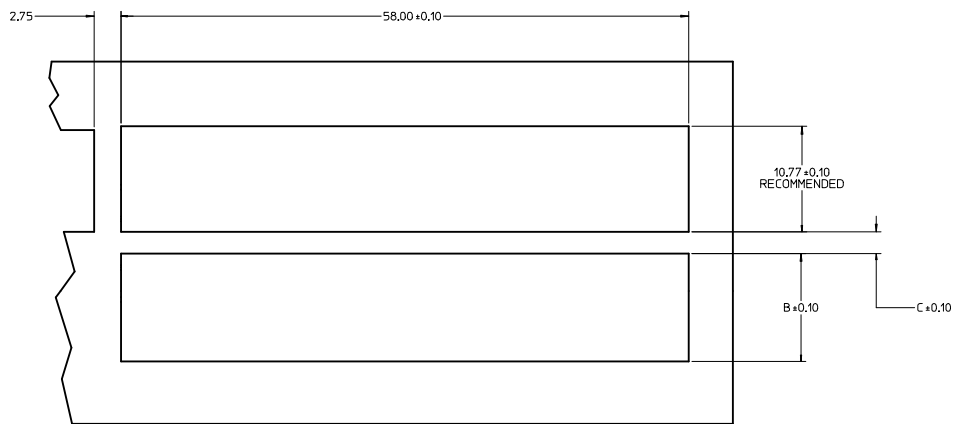
SEE REVISION TABLE EC NO: CPG2014-3390 DRAWN: LUZO 2014/05/09 CHECKED: CHYKORCHEN08 2014/05/09 APPROVED: CHYKORCHEN08 2014/06/30	QUALITY SYMBOLS	GENERAL TOLERANCES (UNLESS SPECIFIED)	DIMENSION STYLE	SCALE	DESIGN UNITS	THIRD ANGLE PROJECTION
	▽=0	mm INCH	MM ONLY	6:1	METRIC	☉
	▽=0	4 PLACES ± --- ± ---	DRAWN BY DATE	TITLE		
	▽=0	3 PLACES ± --- ± ---	CHECKED BY DATE	1X4 SFP GANGED CAGE ASSY, W/ 0.103 GASKET PRESS FIT, F/ LIGHT PIPE		
▽=0	2 PLACES ± 0.13 ± ---	APPROVED BY DATE	molex			
	1 PLACE ± 0.25 ± ---	MATERIAL NO.	DOCUMENT NO.			
	0 PLACE ± ±	SEE P/N TABLE	SD-74728-415			
DRAFT WHERE APPLICABLE MUST REMAIN WITHIN DIMENSIONS		SIZE D		THIS DRAWING CONTAINS INFORMATION THAT IS PROPRIETARY TO MOLEX INCORPORATED AND SHOULD NOT BE USED WITHOUT WRITTEN PERMISSION		



BEZEL AND BOARD POSITION DIMENSIONS FOR SINGLE SIDE MOUNTING



BEZEL AND BOARD POSITION DIMENSIONS FOR BELLY TO BELLY MOUNTING



NOTE:

- 1.FOR A GIVEN BOARD THICKNESS (A), DIMENSIONS (B) AND (C) ARE DIRECTLY AFFECTED.
- 2.USE RECOMMENDED DIMENSIONS AND TOLERANCES TO AID IN DEVELOPING BEZEL OPENING.
- 3.FOR EXAMPLE USING A BOARD THICKNESS OF 3.175 THE RECOMMENDED VALUES WOULD BE:

A= 3.18
 B= 11.03
 C= 2.23

SEE REVISION TABLE EEC NO: CPG2014-3390 DRAWN/LUZO 2014/05/09 CHK/RCHE08 2014/05/09 APPR/RCHE08 2014/06/30	QUALITY SYMBOLS	GENERAL TOLERANCES (UNLESS SPECIFIED)	DIMENSION STYLE	SCALE	DESIGN UNITS	THIRD ANGLE PROJECTION
	▽=0	4 PLACES ± mm ± INCH	MM ONLY	4:1	METRIC	☉
	▽=0	3 PLACES ± mm ± INCH				
	▽=0	2 PLACES ± 0.13 ± mm ± INCH				
		1 PLACE ± 0.25 ± mm ± INCH				
		0 PLACE ± mm ± INCH				
		ANGULAR ± 1 °				
		DRAFT WHERE APPLICABLE MUST REMAIN WITHIN DIMENSIONS				
			MATERIAL NO.	DOCUMENT NO.	TITLE	
			SEE P/N TABLE	SD-74728-415	1X4 SFP GANGED CAGE ASSY, W/ 0.103 GASKET PRESS FIT, F/ LIGHT PIPE	
					SHEET NO. 4 OF 5	
					THIS DRAWING CONTAINS INFORMATION THAT IS PROPRIETARY TO MOLEX INCORPORATED AND SHOULD NOT BE USED WITHOUT WRITTEN PERMISSION	

