



Chipsmall Limited consists of a professional team with an average of over 10 year of expertise in the distribution of electronic components. Based in Hongkong, we have already established firm and mutual-benefit business relationships with customers from,Europe,America and south Asia,supplying obsolete and hard-to-find components to meet their specific needs.

With the principle of “Quality Parts,Customers Priority,Honest Operation,and Considerate Service”,our business mainly focus on the distribution of electronic components. Line cards we deal with include Microchip,ALPS,ROHM,Xilinx,Pulse,ON,Everlight and Freescale. Main products comprise IC,Modules,Potentiometer,IC Socket,Relay,Connector.Our parts cover such applications as commercial,industrial, and automotives areas.

We are looking forward to setting up business relationship with you and hope to provide you with the best service and solution. Let us make a better world for our industry!



Contact us

Tel: +86-755-8981 8866 Fax: +86-755-8427 6832

Email & Skype: info@chipsmall.com Web: www.chipsmall.com

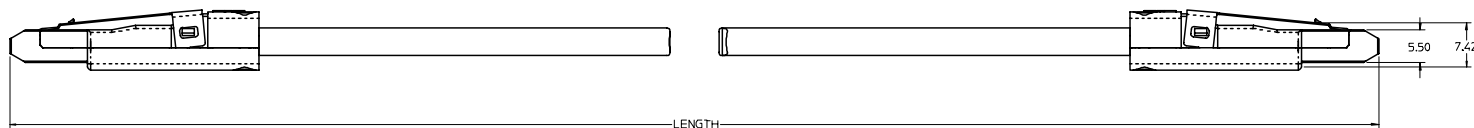
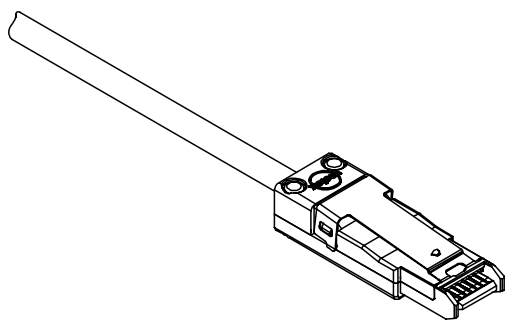
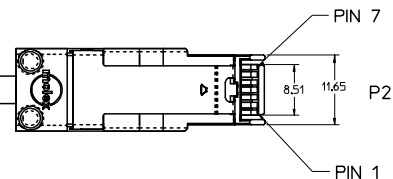
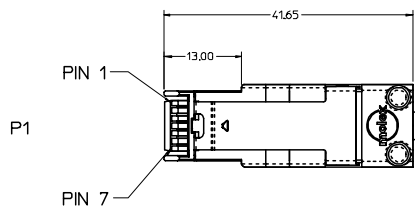
Address: A1208, Overseas Decoration Building, #122 Zhenhua RD., Futian, Shenzhen, China



20 19 18 17 16 15 14 13 12 11 10 9 8 7 6 5 4 3 2 1

M
L
K
J
I
H
G
F
E
D
C
B
A

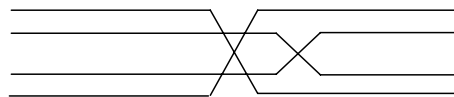
M
L
K
J
I
H
G
F
E
D
C
B
A



WIRING DIAGRAM

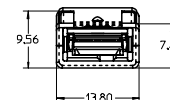
P1 END

PIN	SIGNAL
1	Gnd
2	Rx-
3	Rx+
4	Gnd
5	Tx+
6	Tx-
7	Gnd



P2 END

PIN	SIGNAL
1	Gnd
2	Rx-
3	Rx+
4	Gnd
5	Tx+
6	Tx-
7	Gnd



NOTES:

- MATERIALS
 CABLE - FULLY SHIELDED PER 71153-****
 HOUSING - ZINC ALLOY, PLATED BRIGHT TIN
 LATCH - PHOSPHOR BRONZE, PLATED BRIGHT TIN
 PRINTED CIRCUIT BOARD - FR4
 STRAIN RELIEF - THERMOPLASTIC BLACK MOLDING COMPOUND, FLEXIBLE
- MATES WITH MOLEX SERIES 74703 RECEPTACLE

MOLEX P/N	LENGTH	TOLERANCE
73939-1001	.05M	± .03M
73939-1002	1M	± .03M
73939-1014	1.5M	± .03M
73939-1003	2M	± .03M
73939-1004	3M	± .03M
73939-1005	5M	± .03M
73939-1006	10M	± .03M

ENTER DESCRIPTION EC NO: USY2008-0080 DRAWN: JERNIN 2007/08/24 CHKD: DDDDE 2007/09/04 APPR: DDDDE 2007/10/17 DESCRIPTION	QUALITY SYMBOLS	GENERAL TOLERANCES (UNLESS SPECIFIED)	DIMENSION STYLE	SCALE	DESIGN UNITS	THIRD ANGLE PROJECTION	
	▼=0 ▽=0	4 PLACES ± --- ± --- 3 PLACES ± --- ± --- 2 PLACES ± 0.25 ± --- 1 PLACE ± 0.3 ± --- ANGULAR ±1/2°	MM ONLY INCH	DRAWN BY: DSL CHECKED BY: DSL APPROVED BY: DLD DATE: 00/10/16 DATE: 00/10/26 DATE: 00/10/26	1:1	METRIC	HSSDC II PLUG TO PLUG UNEQUALIZED MOLEX INCORPORATED SD-73939-1***
	DRAFT WHERE APPLICABLE MUST REMAIN WITHIN DIMENSIONS	SEE TABLE	MATERIAL NO.	DOCUMENT NO.	SHEET NO.		
	THIS DRAWING CONTAINS INFORMATION THAT IS PROPRIETARY TO MOLEX INCORPORATED AND SHOULD NOT BE USED WITHOUT WRITTEN PERMISSION						1 OF 1

19 18 17 16 15 14 13 12 11 10 9 8 7 6 5 4 3 2 1