



Chipsmall Limited consists of a professional team with an average of over 10 year of expertise in the distribution of electronic components. Based in Hongkong, we have already established firm and mutual-benefit business relationships with customers from,Europe,America and south Asia,supplying obsolete and hard-to-find components to meet their specific needs.

With the principle of “Quality Parts,Customers Priority,Honest Operation,and Considerate Service”,our business mainly focus on the distribution of electronic components. Line cards we deal with include Microchip,ALPS,ROHM,Xilinx,Pulse,ON,Everlight and Freescale. Main products comprise IC,Modules,Potentiometer,IC Socket,Relay,Connector.Our parts cover such applications as commercial,industrial, and automotives areas.

We are looking forward to setting up business relationship with you and hope to provide you with the best service and solution. Let us make a better world for our industry!



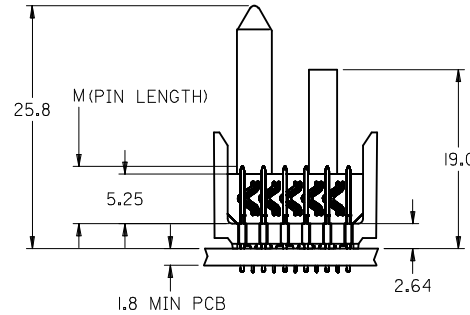
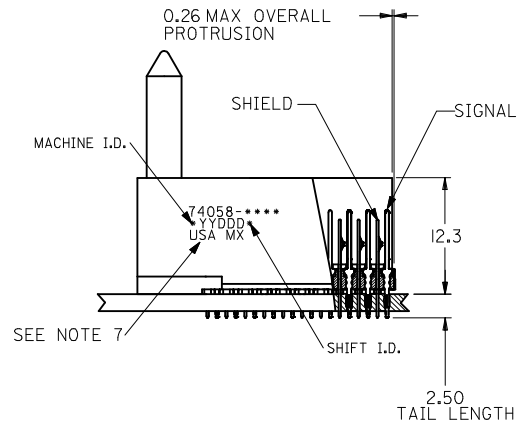
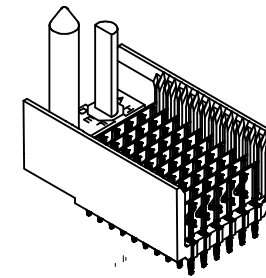
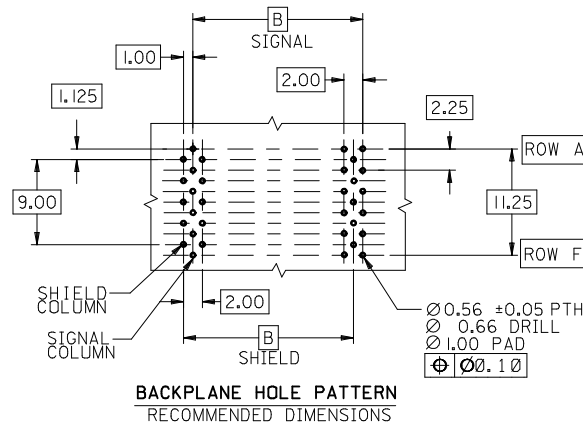
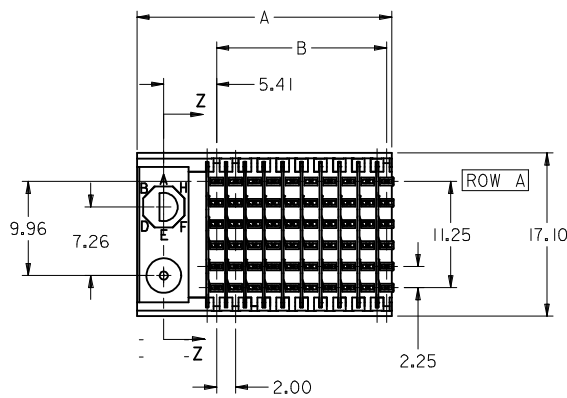
## Contact us

Tel: +86-755-8981 8866 Fax: +86-755-8427 6832

Email & Skype: info@chipsmall.com Web: www.chipsmall.com

Address: A1208, Overseas Decoration Building, #122 Zhenhua RD., Futian, Shenzhen, China



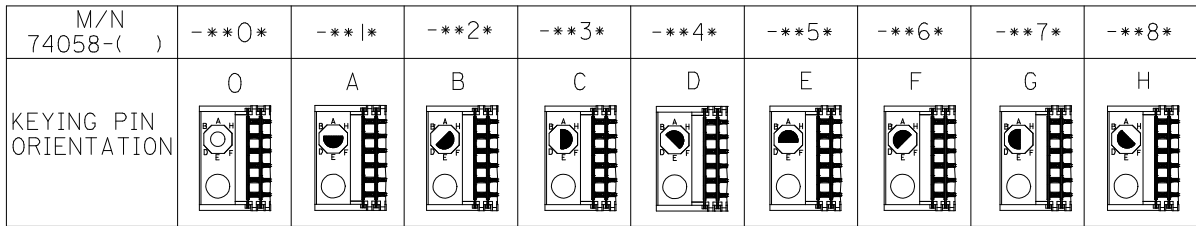


**NOTES:**

1. MATERIALS:  
HOUSING - LIQUID CRYSTAL POLYMER (LCP),  
GLASS-FILLED, UL 94V-0, COLOR: BLACK  
SIGNAL PIN & SHIELD - COPPER ALLOY
2. FINISHES:  
CONTACT AREA: SELECTIVE GOLD (Au)  
PCB TAILS: SELECTIVE MATTE TIN (Sn)  
NICKEL (Ni) OVERALL.
3. THIS PART CONFORMS TO MOLEX PRODUCT SPECIFICATION PS-74031-999
4. FOR MIXED CONTACT LENGTHS CONSULT MOLEX FOR AVAILABILITY
5. FOR SPECIFIC MATERIAL NUMBERS & MATING INFORMATION REFER TO SHEET 2
6. PACKAGE PER PK-74058-003
7. MARK PART WITH PART NUMBER & DATE CODE APPROXIMATELY WHERE SHOWN
8. MAPS (MOLEX ADVANCED PLATING SYSTEM).

THE PRIMARY CARTON WITH A LABEL STATING "ELV AND RoHS COMPLAINT" IS LEAD FREE. CARTONS WITHOUT THIS LABEL MAY CONTAIN LEAD.

LEAD FREE CONVERSION EC NO: UCP2013-0687 DRAWINGS: 2012/08/21 CHKD:MMWLF 2012/11/26 APPR:SMILLER 2012/12/14	QUALITY SYMBOLS ▽=0 ▽=0 ▽=0	GENERAL TOLERANCES (UNLESS SPECIFIED)		DIMENSION STYLE <b>MM ONLY</b>	SCALE <b>2.5:1</b>	DESIGN UNITS <b>METRIC</b>	THIRD ANGLE PROJECTION
		mm	INCH	DRAWN BY JMELTON	DATE 2010/05/19	TITLE <b>VHDM 6 ROW SIGNAL END BACKPLANE SALES ASSEMBLY</b>	
M	DESCRIPTION REV	4 PLACES ±	±	CHECKED BY SDANNELLEY	DATE 2010/05/19	<b>molex</b>	DOCUMENT NO. <b>SD-74058-002</b>
		3 PLACES ±	±	APPROVED BY SMILLER	DATE 2010/07/14		
		2 PLACES ±	±	MATERIAL NO. <b>SEE SHEET 2</b>			
		1 PLACE ±	±	ANGULAR ±1/2°			
		0 PLACE ±	±	DRAFT WHERE APPLICABLE MUST REMAIN WITHIN DIMENSIONS			
				SIZE C		THIS DRAWING CONTAINS INFORMATION THAT IS PROPRIETARY TO MOLEX INCORPORATED AND SHOULD NOT BE USED WITHOUT WRITTEN PERMISSION	

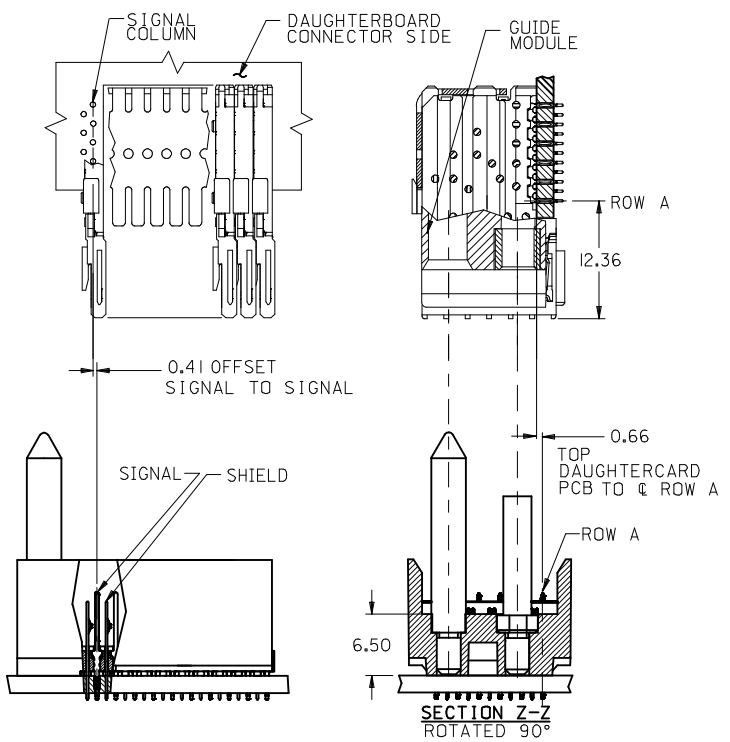


74058 \* \* \* \*

CONTACT LOAD (PIN LENGTH)  
 1 = 4.75  
 2 = 4.25  
 3 = 3.75  
 4 = 3.25  
 5 = 2.75  
 6 = 2.25  
 7 = 1.75  
 8 = 1.25

NUMBER OF COLUMNS/PLATING  
 10 = 10 COLUMN MATTE TIN (FORMERLY TIN/LEAD)  
 25 = 25 COLUMN MATTE TIN (FORMERLY TIN/LEAD)  
 60 = 10 COLUMN MATTE TIN (MAPS)  
 75 = 25 COLUMN MATTE TIN (MAPS)  
 90 = 10 COLUMN MATTE TIN  
 85 = 25 COLUMN MATTE TIN

PART NUMBER	COLUMN	NUMBER OF SIGNAL PIN	NUMBER OF SHIELD	A	B	M	GOLD THICKNESS MICROMETER	TIN THICKNESS MICROMETER
74058-60*1	10	60	10	27.00	18.00	4.75	0.25 MAPS	0.76-1.52
74058-x0*1							0.76	
74058-x0*6							1.27	
74058-75*1	25	150	25	57.00	48.00	4.75	0.25 MAPS	
74058-x5*1							0.76	
74058-x5*6							1.27	
74058-60*2	10	60	10	27.00	18.00	6.25	0.25 MAPS	
74058-x0*2							0.76	
74058-x0*7							1.27	
74058-75*2	25	150	25	57.00	48.00	6.25	0.25 MAPS	
74058-x5*2							0.76	
74058-x5*7							1.27	
74058-60*3	10	60	10	27.00	18.00	4.25	0.25 MAPS	
74058-x0*3							0.76	
74058-x0*8							1.27	
74058-75*3	25	150	25	57.00	48.00	4.25	0.25 MAPS	
74058-x5*3							0.76	
74058-x5*8							1.27	
74058-60*4	10	60	10	27.00	18.00	5.15	0.25 MAPS	
74058-x0*4							0.76	
74058-x0*9							1.27	
74058-75*4	25	150	25	57.00	48.00	5.15	0.25 MAPS	
74058-x5*4							0.76	
74058-x5*9							1.27	



SEE SHEET 1 EC NO: UCP2013-0687 DRAWINGS 2012/08/21 CHKD:HWOLFE 2012/11/26 APPR:SMILLER 2012/12/14 M	QUALITY SYMBOLS	GENERAL TOLERANCES (UNLESS SPECIFIED)	DIMENSION STYLE MM ONLY	SCALE 2.5:1	DESIGN UNITS METRIC	THIRD ANGLE PROJECTION
	▽=0	mm INCH	DRAWN BY DATE JMELTON 2010/05/19	TITLE VHDM 6 ROW SIGNAL END BACKPLANE SALES ASSEMBLY		
	▽=0	4 PLACES ± --- ± ---	CHECKED BY DATE SDANNELLEY 2010/05/19	molex		
	▽=0	3 PLACES ± --- ± ---	APPROVED BY DATE SMILLER 2010/07/14	DOCUMENT NO. SD-74058-002	SHEET NO. 2 OF 2	
	▽=0	2 PLACES ± --- ± ---	THIS DRAWING CONTAINS INFORMATION THAT IS PROPRIETARY TO MOLEX INCORPORATED AND SHOULD NOT BE USED WITHOUT WRITTEN PERMISSION			
		ANGULAR ±1/2°	SIZE C			
		DRAFT WHERE APPLICABLE MUST REMAIN WITHIN DIMENSIONS				