



Chipsmall Limited consists of a professional team with an average of over 10 year of expertise in the distribution of electronic components. Based in Hongkong, we have already established firm and mutual-benefit business relationships with customers from,Europe,America and south Asia,supplying obsolete and hard-to-find components to meet their specific needs.

With the principle of “Quality Parts,Customers Priority,Honest Operation,and Considerate Service”,our business mainly focus on the distribution of electronic components. Line cards we deal with include Microchip,ALPS,ROHM,Xilinx,Pulse,ON,Everlight and Freescale. Main products comprise IC,Modules,Potentiometer,IC Socket,Relay,Connector.Our parts cover such applications as commercial,industrial, and automotives areas.

We are looking forward to setting up business relationship with you and hope to provide you with the best service and solution. Let us make a better world for our industry!



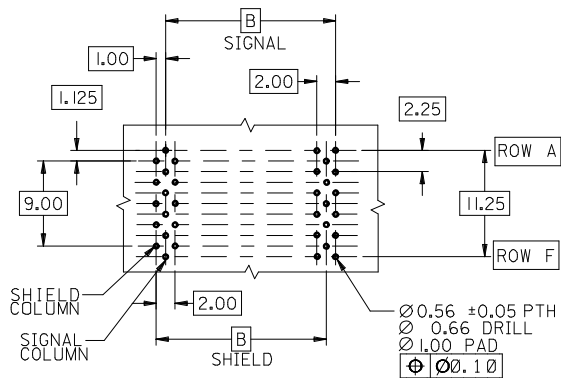
## Contact us

Tel: +86-755-8981 8866 Fax: +86-755-8427 6832

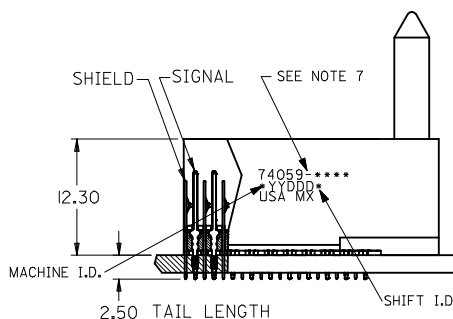
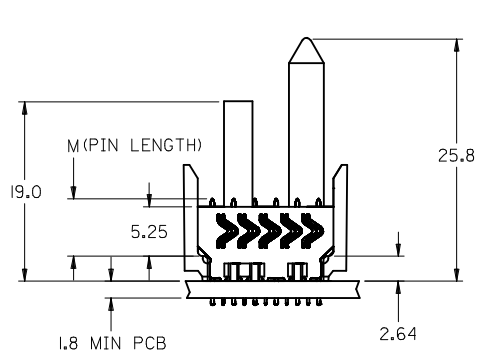
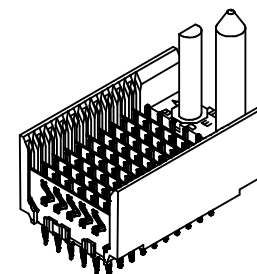
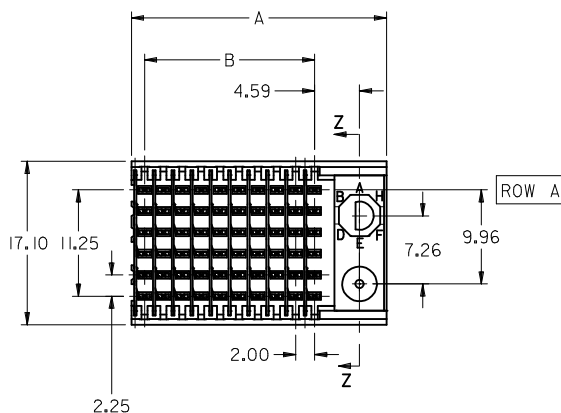
Email & Skype: info@chipsmall.com Web: www.chipsmall.com

Address: A1208, Overseas Decoration Building, #122 Zhenhua RD., Futian, Shenzhen, China





BACKPLANE HOLE PATTERN  
RECOMMENDED DIMENSIONS



NOTES:

- MATERIALS:  
HOUSING - LIQUID CRYSTAL POLYMER (LCP),  
GLASS-FILLED, UL 94V-0, COLOR: BLACK  
SIGNAL PIN & SHIELD - COPPER ALLOY
- FINISHES:  
CONTACT AREA: SELECTIVE GOLD (Au)  
PCB TAILS: SELECTIVE MATTE TIN (Sn)  
NICKEL (Ni) OVERALL.
- THIS PART CONFORMS TO MOLEX PRODUCT SPECIFICATION PS-74031-999
- FOR MIXED CONTACT LENGTHS CONSULT MOLEX FOR AVAILABILITY
- FOR SPECIFIC MATERIAL NUMBERS & MATING INFORMATION REFER TO SHEET 2 AND 3
- PACKAGE PER PK-74058-003
- MARK PART WITH PART NUMBER & DATE CODE APPROXIMATELY WHERE SHOWN
- MAPS (MOLEX ADVANCED PLATING SYSTEM).

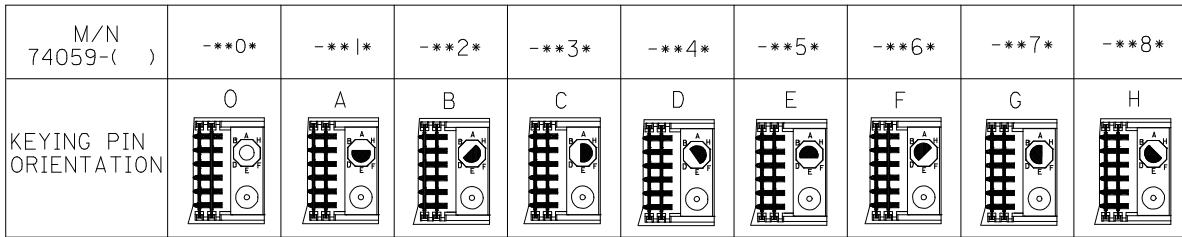
THE PRIMARY CARTON WITH A LABEL STATING "ELV AND RoHS COMPLAINT" IS LEAD FREE. CARTONS WITHOUT THIS LABEL MAY CONTAIN LEAD.

LEAD FREE CONVERSION EC NO: UCP2013-0687 DRAWINGS: 2012/08/21 CHKD:MMOLFE 2012/11/24 APPR:SMILLER 2012/12/14	QUALITY SYMBOLS	DESCRIPTION
	$\nabla = 0$	
	$\nabla = 0$	
	$\nabla = 0$	
REV		

GENERAL TOLERANCES (UNLESS SPECIFIED)	
mm	INCH
4 PLACES	$\pm 0.25$
3 PLACES	$\pm 0.25$
2 PLACES	$\pm 0.25$
1 PLACE	$\pm 0.25$
0 PLACE	$\pm 0.25$
ANGULAR $\pm 1/2^\circ$	
DRAFT WHERE APPLICABLE MUST REMAIN WITHIN DIMENSIONS	

DIMENSION STYLE MM ONLY	
DRAWN BY	DATE
JMELTON	2010/05/20
CHECKED BY	DATE
SDANNELLEY	2010/05/20
APPROVED BY	DATE
SMILLER	2010/07/14

SCALE 2.5:1	DESIGN UNITS METRIC	THIRD ANGLE PROJECTION
TITLE VHDM 6 ROW SHIELD END BACKPLANE SALES DRAWING		
molex		
MATERIAL NO. SEE SHT 2	DOCUMENT NO. SD-74059-002	SHEET NO. 1 OF 2
THIS DRAWING CONTAINS INFORMATION THAT IS PROPRIETARY TO MOLEX INCORPORATED AND SHOULD NOT BE USED WITHOUT WRITTEN PERMISSION		

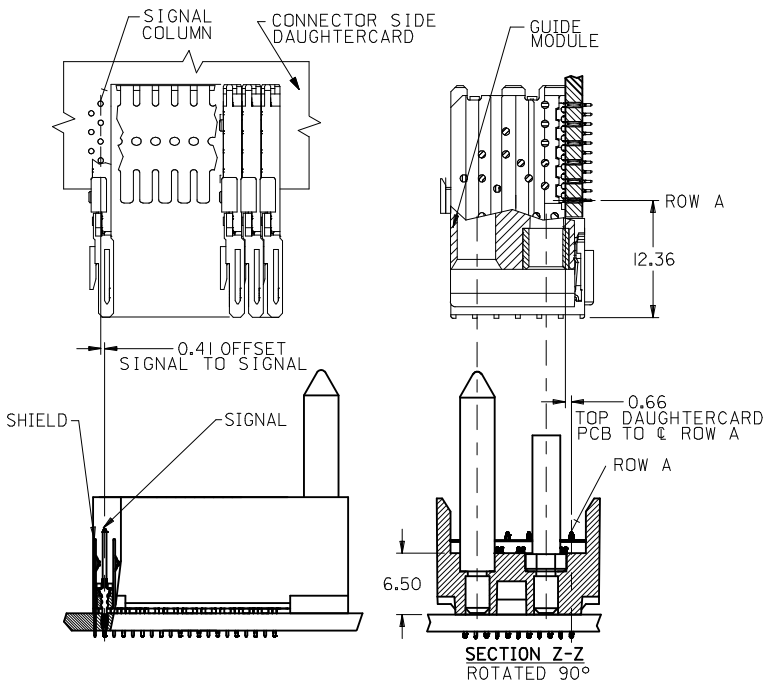


74059 - \* \* \* \*

NUMBER OF COLUMNS/PLATING

- 10 = 10 COLUMN MATTE TIN (FORMERLY TIN/LEAD)
- 21 = 11 COLUMN MATTE TIN (FORMERLY TIN/LEAD)
- 25 = 25 COLUMN MATTE TIN (FORMERLY TIN/LEAD)
- 60 = 10 COLUMN MATTE TIN (MAPS)
- 71 = 11 COLUMN MATTE TIN (MAPS)
- 75 = 25 COLUMN MATTE TIN (MAPS)
- 90 = 10 COLUMN MATTE TIN
- 81 = 11 COLUMN MATTE TIN
- 85 = 25 COLUMN MATTE TIN

- CONTACT LOAD (PIN HEIGHT)
- 1 & 6 = 4.75
  - 2 & 7 = 6.25
  - 3 & 8 = 4.25
  - 4 & 9 = 5.15



PART NUMBER	COLUMN	NUMBER OF SIGNAL PIN	NUMBER OF SHIELD	A	B	M	GOLD THICKNESS MICROMETER	TIN THICKNESS MICROMETER	
74059-60*1							0.25 MAPS		
74059-*0*1	10	60	10	27.00	18.00	4.75	0.76	0.76-152	
74059-*0*6							1.27		
74059-*5*1	25	150	25	57.00	48.00		0.25 MAPS		
74059-*5*6							0.76		
74059-60*2	10	60	10	27.00	18.00	6.25	1.27		
74059-*0*2									0.25 MAPS
74059-*0*7	25	150	25	57.00	48.00		0.76		
74059-*5*2	10	60	10	27.00	18.00	4.25	1.27		
74059-*5*2									0.25 MAPS
74059-*5*7	25	150	25	57.00	48.00		0.76		
74059-60*3	10	60	10	27.00	18.00	5.15	1.27		
74059-*0*3								0.25 MAPS	
74059-*0*8	25	150	25	57.00	48.00		0.76		
74059-*5*3	10	60	10	27.00	18.00	4.75	1.27		
74059-*5*8								0.25 MAPS	
74059-*0*4	25	150	25	57.00	48.00		0.76		
74059-*0*9	10	60	10	27.00	18.00	6.25	1.27		
74059-*5*4								0.25 MAPS	
74059-*5*9	25	150	25	57.00	48.00		0.76		

PART NUMBER	COLUMN	NUMBER OF SIGNAL PIN	NUMBER OF SHIELD	A	B	M	GOLD THICKNESS MICROMETER	TIN THICKNESS MICROMETER	
74059-71*1							0.25 MAPS		
74059-*1*1	11	66	11	29.00	20.00	4.75	0.76	0.76-152	
74059-*1*6									1.27
74059-71*2	11	66	11	29.00	20.00		0.25 MAPS		
74059-*1*2	11	66	11	29.00	20.00	6.25	0.76		
74059-*1*7									1.27
74059-71*3	11	66	11	29.00	20.00		0.25 MAPS		
74059-*1*3	11	66	11	29.00	20.00	4.25	0.76		
74059-*1*8									1.27
74059-71*4	11	66	11	29.00	20.00		0.25 MAPS		
74059-*1*4	11	66	11	29.00	20.00	5.15	0.76		
74059-*1*9								1.27	

SEE SHEET 1 EC NO: UCP2013-0687 DRWNGES 2012/08/21 CHKD:MMWLF 2012/11/21 APPR:SMILLER 2012/12/14 REVISIONS	QUALITY SYMBOLS	GENERAL TOLERANCES (UNLESS SPECIFIED)	DIMENSION STYLE MM ONLY	SCALE 2.5:1	DESIGN UNITS METRIC	THIRD ANGLE PROJECTION
	▽=0	4 PLACES ± --- ± ---	DRAWN BY JMELTON	DATE 2010/05/20	TITLE VHDM 6 ROW SHIELD END BACKPLANE SALES DRAWING	
	▽=0	3 PLACES ± --- ± ---	CHECKED BY SDANNELLEY	DATE 2010/05/20		
	▽=0	2 PLACES ± 0.10 ± ---	APPROVED BY SMILLER	DATE 2010/07/14		
		1 PLACE ± 0.25 ± ---	MATERIAL NO.	DOCUMENT NO.	SD-74059-002	
		0 PLACE ± ±	ANGULAR ±1/2°		SHEET NO. 2 OF 2	
DRAFT WHERE APPLICABLE MUST REMAIN WITHIN DIMENSIONS			THIS DRAWING CONTAINS INFORMATION THAT IS PROPRIETARY TO MOLEX INCORPORATED AND SHOULD NOT BE USED WITHOUT WRITTEN PERMISSION			