



Chipsmall Limited consists of a professional team with an average of over 10 year of expertise in the distribution of electronic components. Based in Hongkong, we have already established firm and mutual-benefit business relationships with customers from,Europe,America and south Asia,supplying obsolete and hard-to-find components to meet their specific needs.

With the principle of “Quality Parts,Customers Priority,Honest Operation,and Considerate Service”,our business mainly focus on the distribution of electronic components. Line cards we deal with include Microchip,ALPS,ROHM,Xilinx,Pulse,ON,Everlight and Freescale. Main products comprise IC,Modules,Potentiometer,IC Socket,Relay,Connector.Our parts cover such applications as commercial,industrial, and automotives areas.

We are looking forward to setting up business relationship with you and hope to provide you with the best service and solution. Let us make a better world for our industry!



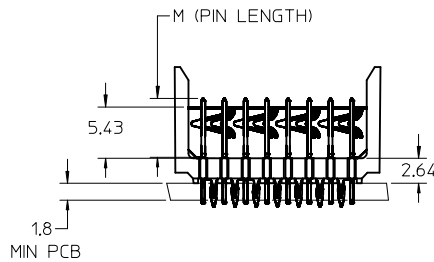
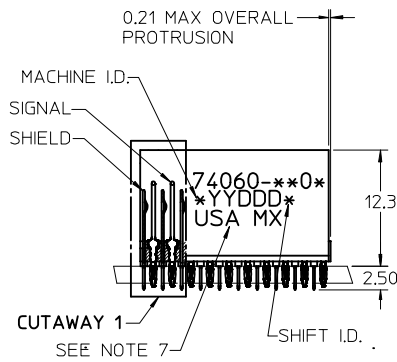
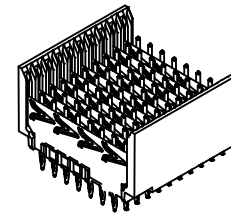
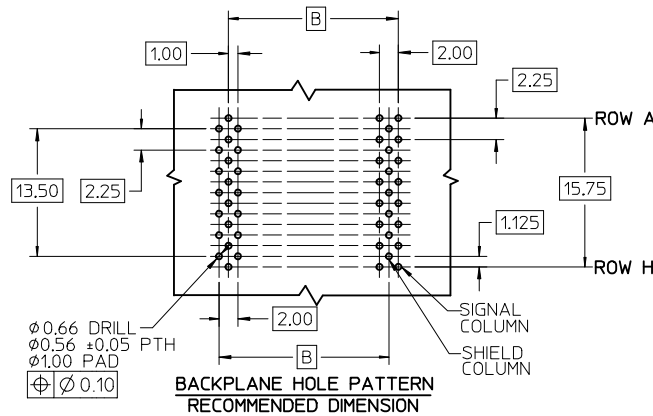
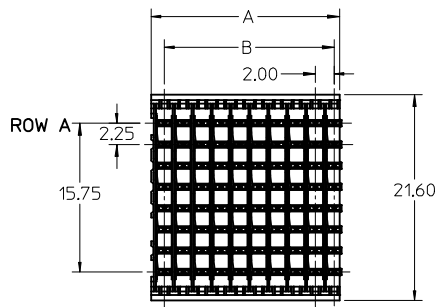
Contact us

Tel: +86-755-8981 8866 Fax: +86-755-8427 6832

Email & Skype: info@chipsmall.com Web: www.chipsmall.com

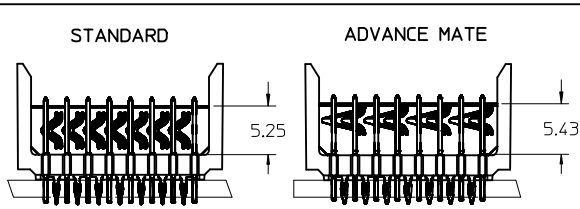
Address: A1208, Overseas Decoration Building, #122 Zhenhua RD., Futian, Shenzhen, China





NOTES:

1. MATERIAL, -LIQUID CRYSTAL POLYMER (LCP) GLASS-FILLED, UL 94 V-0. COLOR BLACK. SIGNAL & SHIELD -COPPER ALLOY.
2. FINISHES:
CONTACT AREA: SELECTIVE GOLD (Au)
PCB TAILS: SELECTIVE MATTE TIN (Sn)
NICKEL (Ni) OVERALL.
3. THIS PART CONFORMS TO MOLEX PRODUCT SPECIFICATION PS-74031-999.
4. FOR MIXED CONTACT MATING LENGTHS CONSULT MOLEX FOR AVAILABILITY.
5. FOR SPECIFIC PART NUMBER AND MATING INFORMATION REFER TO SHEET 2.
6. PACKAGE PER PK-74060-003.
7. EITHER MARK PART NUMBER AND DATE CODE APPROXIMATELY WHERE SHOWN OR PLACE LABEL ON THE TUBE.
8. MAPS (MOLEX ADVANCED PLATING SYSTEM).



| | | | | | | | |
|--|---|--|--|---|-------------------------------------|-------------------------------|------------------------|
| UPDATE TABLE EC NO: UCP2014-3396 DRWNSVANG01 2014/02/14 CHKD:MOLEF 2014/02/14 APPR:SMILLER 2014/02/25 | QUALITY SYMBOLS $\nabla = 0$ $\nabla = 0$ $\nabla = 0$ | GENERAL TOLERANCES (UNLESS SPECIFIED) | | DIMENSION STYLE MM ONLY | SCALE 2.5:1 | DESIGN UNITS METRIC | THIRD ANGLE PROJECTION |
| | | 4 PLACES \pm --- \pm --- 3 PLACES \pm --- \pm --- 2 PLACES ± 0.25 \pm --- 1 PLACE ± 0.38 \pm --- 0 PLACE \pm \pm | mm INCH DRAWN BY DATE MQWANG 2001/10/09 CHECKED BY DATE NMARTIN 2001/10/10 APPROVED BY DATE CBIXLER 2001/10/12 | TITLE VHDM SALES ASSEMBLY 8 ROW ADVANCE MATE OPEN END BACKPLANE | | | |
| | | ANGULAR $\pm 1/2^\circ$ | | MATERIAL NO. SEE SHEET 2 | DOCUMENT NO. SD-74060-003 | SHEET NO. 1 OF 2 | |
| | | DRAFT WHERE APPLICABLE MUST REMAIN WITHIN DIMENSIONS | | THIS DRAWING CONTAINS INFORMATION THAT IS PROPRIETARY TO MOLEX INCORPORATED AND SHOULD NOT BE USED WITHOUT WRITTEN PERMISSION | | | |

MATERIAL NUMBER ASSIGNMENT

74060-**0*

NUMBER OF COLUMNS/PLATING

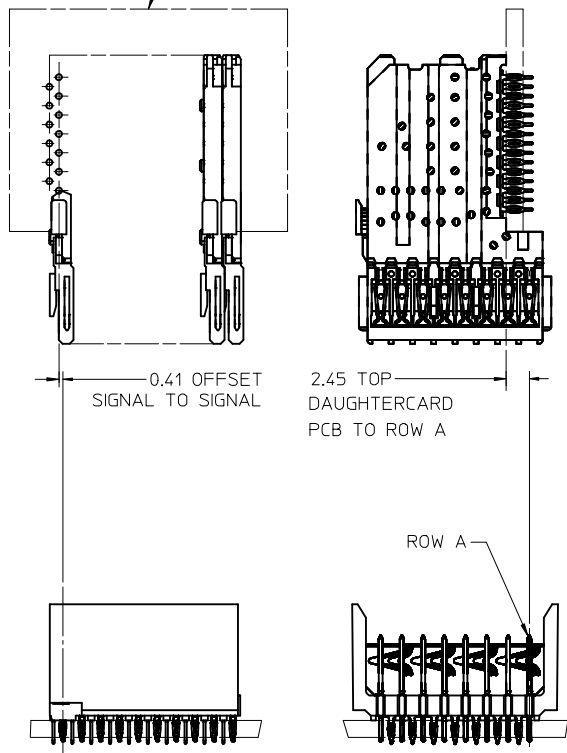
- 11 = 10 COLUMN MATTE TIN (FORMERLY TIN/LEAD)
- 26 = 25 COLUMN MATTE TIN (FORMERLY TIN/LEAD)
- 61 = 10 COLUMN MATTE TIN (MAPS)
- 76 = 25 COLUMN MATTE TIN (MAPS)
- 91 = 10 COLUMN MATTE TIN
- 86 = 25 COLUMN MATTE TIN

PIN HEIGHT / PLATING

- 1-4 = 0.25 or 0.76 GOLD
- 6-9 = 1.27 GOLD

- 1 & 6 = 4.75
- 2 & 7 = 6.25
- 3 & 8 = 4.25
- 4 & 9 = 5.15

DAUGHTERCARD
CONNECTOR SIDE



| PART NUMBER | COLUMN | NUMBER OF SIGNAL PIN | NUMBER OF SHIELD | A | B | M | GOLD THICKNESS MICROMETER | TIN THICKNESS MICROMETER |
|--------------------|--------|----------------------|------------------|-------|-------|------|---------------------------|--------------------------|
| 74060-6101 | 10 | 80 | 10 | 20.00 | 18.00 | 4.75 | 0.25 MAPS | 0.76-1.52 |
| 74060- *101 | | | | | | | 0.76 | |
| 74060- *106 | | | | | | | 1.27 | |
| 74060-7601 | 25 | 200 | 25 | 50.00 | 48.00 | 6.25 | 0.25 MAPS | |
| 74060- *601 | | | | | | | 0.76 | |
| 74060- *606 | | | | | | | 1.27 | |
| 74060-6102 | 10 | 80 | 10 | 20.00 | 18.00 | 4.25 | 0.25 MAPS | |
| 74060- *102 | | | | | | | 0.76 | |
| 74060- *107 | | | | | | | 1.27 | |
| 74060-7602 | 25 | 200 | 25 | 50.00 | 48.00 | 5.15 | 0.25 MAPS | |
| 74060- *602 | | | | | | | 0.76 | |
| 74060- *607 | | | | | | | 1.27 | |
| 74060-6103 | 10 | 80 | 10 | 20.00 | 18.00 | 4.25 | 0.25 MAPS | |
| 74060- *103 | | | | | | | 0.76 | |
| 74060- *108 | | | | | | | 1.27 | |
| 74060-7603 | 25 | 200 | 25 | 50.00 | 48.00 | 5.15 | 0.25 MAPS | |
| 74060- *603 | | | | | | | 0.76 | |
| 74060- *608 | | | | | | | 1.27 | |
| 74060-6104 | 10 | 80 | 10 | 20.00 | 18.00 | 4.25 | 0.25 MAPS | |
| 74060- *104 | | | | | | | 0.76 | |
| 74060- *109 | | | | | | | 1.27 | |
| 74060-7604 | 25 | 200 | 25 | 50.00 | 48.00 | 5.15 | 0.25 MAPS | |
| 74060- *604 | | | | | | | 0.76 | |
| 74060- *609 | | | | | | | 1.27 | |

| | | | | | | | | | |
|---|---------------------|---|---|-----------------------------------|-----------------------|---|-------------------------------------|--|--|
| SEE SHEET 1 EC NO: UCP2014-3396 DRWNS:VANG01 2014/02/14 CHKD:WOLEF 2014/02/14 APPR:SWILLER 2014/02/25 | QUALITY SYMBOLS | GENERAL TOLERANCES (UNLESS SPECIFIED) | | DIMENSION STYLE MM ONLY | SCALE 2.5:1 | DESIGN UNITS METRIC | THIRD ANGLE PROJECTION | | |
| | | 4 PLACES ± 0.25 3 PLACES ± 0.38 2 PLACES ± 0.51 1 PLACE ± 0.76 0 PLACE ± 1.27 | mm INCH ± 0.25 ± 0.010 ± 0.38 ± 0.015 ± 0.51 ± 0.020 ± 0.76 ± 0.030 ± 1.27 ± 0.050 | DRAWN BY MQWANG | DATE 2001/10/09 | TITLE VHDM SALES ASSEMBLY 8 ROW ADVANCE MATE OPEN END BACKPLANE | DOCUMENT NO. SD-74060-003 | | |
| | | ANGULAR ±1/2° | | CHECKED BY NMARTIN | DATE 2001/10/10 | SHEET NO. 2 OF 2 | | | |
| | | DRAFT WHERE APPLICABLE MUST REMAIN WITHIN DIMENSIONS | | APPROVED BY CBI XLER | DATE 2001/10/12 | THIS DRAWING CONTAINS INFORMATION THAT IS PROPRIETARY TO MOLEX INCORPORATED AND SHOULD NOT BE USED WITHOUT WRITTEN PERMISSION | | | |