



Chipsmall Limited consists of a professional team with an average of over 10 year of expertise in the distribution of electronic components. Based in Hongkong, we have already established firm and mutual-benefit business relationships with customers from,Europe,America and south Asia,supplying obsolete and hard-to-find components to meet their specific needs.

With the principle of “Quality Parts,Customers Priority,Honest Operation,and Considerate Service”,our business mainly focus on the distribution of electronic components. Line cards we deal with include Microchip,ALPS,ROHM,Xilinx,Pulse,ON,Everlight and Freescale. Main products comprise IC,Modules,Potentiometer,IC Socket,Relay,Connector.Our parts cover such applications as commercial,industrial, and automotives areas.

We are looking forward to setting up business relationship with you and hope to provide you with the best service and solution. Let us make a better world for our industry!



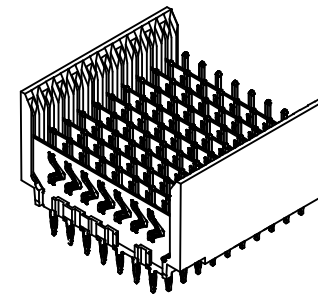
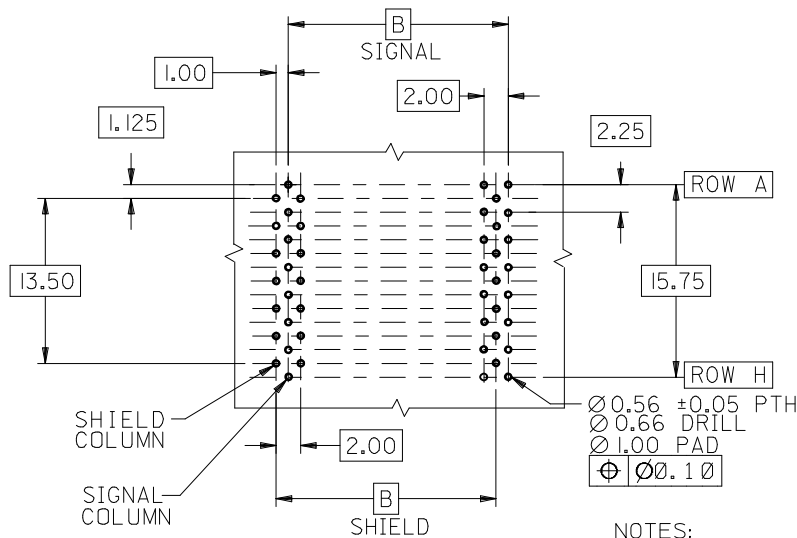
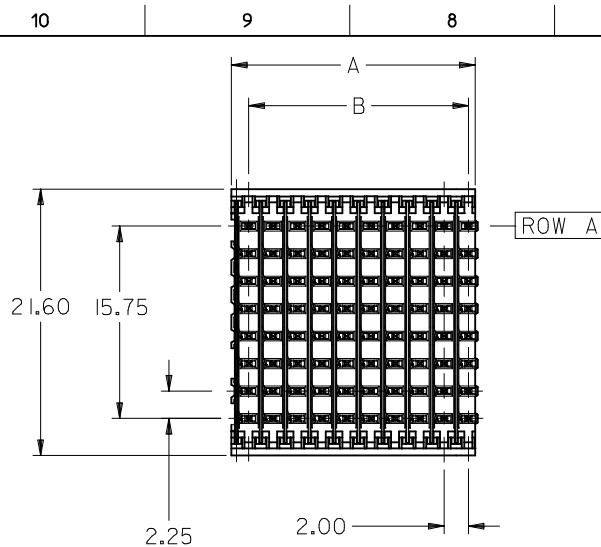
Contact us

Tel: +86-755-8981 8866 Fax: +86-755-8427 6832

Email & Skype: info@chipsmall.com Web: www.chipsmall.com

Address: A1208, Overseas Decoration Building, #122 Zhenhua RD., Futian, Shenzhen, China

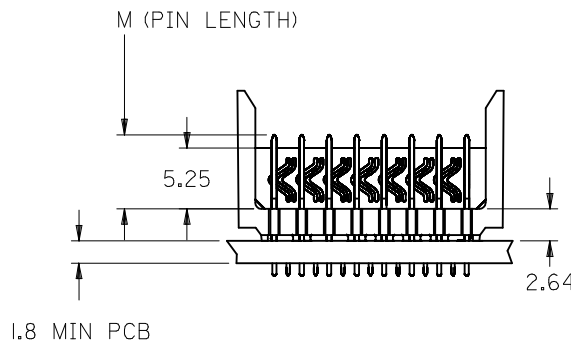
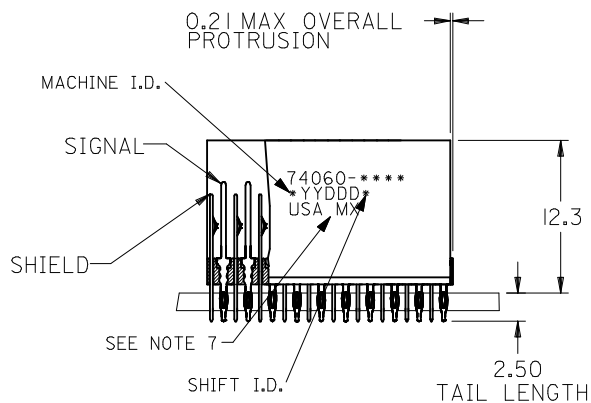




$\varnothing 0.56 \pm 0.05$ PTH
 $\varnothing 0.66$ DRILL
 $\varnothing 1.00$ PAD
 $\varnothing \varnothing 0.10$

BACKPLANE HOLE PATTERN
RECOMMENDED DIMENSION

- NOTES:
- MATERIALS:
HOUSING - LIQUID CRYSTAL POLYMER (LCP),
GLASS-FILLED, UL 94V-0, COLOR: BLACK
SIGNAL PIN & SHIELD - COPPER ALLOY
 - FINISHES:
CONTACT AREA: SELECTIVE GOLD (Au)
PCB TAILS: SELECTIVE MATTE TIN (Sn)
NICKEL (Ni) OVERALL.
 - THIS PART CONFORMS TO MOLEX PRODUCT SPECIFICATION PS-74031-999
 - FOR MIXED CONTACT LENGTHS CONSULT MOLEX FOR AVAILABILITY
 - FOR SPECIFIC MATERIAL NUMBERS & MATING INFORMATION REFER TO SHEET 2
 - PACKAGE PER PK-74060-003
 - EITHER MARK PART WITH PART NUMBER & DATE CODE APPROXIMATELY WHERE SHOWN OR PLACE LABEL ON THE TUBE.
 - MAPS (MOLEX ADVANCED PLATING SYSTEM)



REV. ASSIGNMENT TABLE EC NO: UCP2014-3396 DRWNS:VANG01 2014/02/14 CHKCD:MWOLFE 2014/02/14 APPR:SMILLER 2014/09/07 M	QUALITY SYMBOLS	GENERAL TOLERANCES (UNLESS SPECIFIED)	DIMENSION STYLE MM ONLY		SCALE 2.5:1	DESIGN UNITS METRIC	THIRD ANGLE PROJECTION
	$\nabla = 0$	mm INCH	DRAWN BY	DATE	VHDM 8 ROW OPEN END BACKPLANE SALES ASSEMBLY 		
	$\nabla = 0$	4 PLACES \pm --- \pm ---	MWANG	1998/11/09			
	$\nabla = 0$	3 PLACES \pm --- \pm ---	CHECKED BY	DATE	DOCUMENT NO. SD-74060-002 SHEET NO. 1 OF 2		
	$\nabla = 0$	2 PLACES ± 0.25 \pm ---	JLAUR	1998/11/09			
		1 PLACE ± 0.38 \pm ---	APPROVED BY	DATE	THIS DRAWING CONTAINS INFORMATION THAT IS PROPRIETARY TO MOLEX INCORPORATED AND SHOULD NOT BE USED WITHOUT WRITTEN PERMISSION		
		0 PLACE \pm --- \pm ---	SMILLER	2012/09/07			
		ANGULAR $\pm 1/2^\circ$	MATERIAL NO.		SEE SHT.2		
		DRAFT WHERE APPLICABLE MUST REMAIN WITHIN DIMENSIONS	SIZE B				

MATERIAL NUMBER ASSIGNMENT

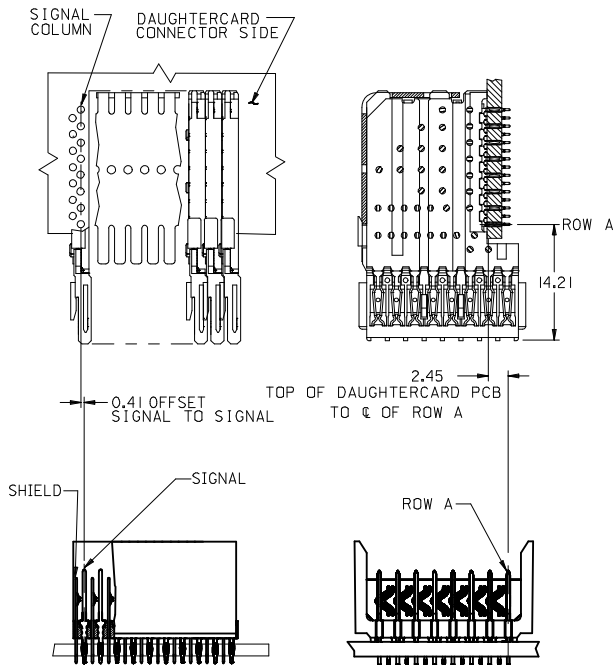
74060-** 0*

PIN HEIGHT / PLATING
 1-4 = 0.25 or 0.76 GOLD
 6-9 = 1.27 GOLD

1 & 6 = 4.75
 2 & 7 = 6.25
 3 & 8 = 4.25
 4 & 9 = 5.15

NUMBER OF COLUMNS/PLATING

10 = 10 COLUMN MATTE TIN (FORMERLY TIN/LEAD)
 25 = 25 COLUMN MATTE TIN (FORMERLY TIN/LEAD)
 60 = 10 COLUMN MATTE TIN (MAPS)
 75 = 25 COLUMN MATTE TIN (MAPS)
 90 = 10 COLUMN MATTE TIN
 85 = 25 COLUMN MATTE TIN



PART NUMBER	COLUMN	NUMBER OF SIGNAL PIN	NUMBER OF SHIELD	A	B	M	GOLD THICKNESS MICROMETER	TIN THICKNESS MICROMETER	
74060-6001							0.25 MAPS		
74060-*001	10	80	10	20.00	18.00	4.75	0.76	0.76-152	
74060-*006							1.27		
74060-7501							0.25 MAPS		
74060-*501	25	200	25	50.00	48.00		0.76		
74060-*506							1.27		
74060-6002						6.25	0.25 MAPS		
74060-*002	10	80	10	20.00	18.00				0.76
74060-*007									1.27
74060-7502						4.25	0.25 MAPS		
74060-*502	25	200	25	50.00	48.00				0.76
74060-*507									1.27
74060-6003						5.15	0.25 MAPS		
74060-*003	10	80	10	20.00	18.00			0.76	
74060-*008								1.27	
74060-7503						4.25	0.25 MAPS		
74060-*503	25	200	25	50.00	48.00			0.76	
74060-*508								1.27	
74060-6004						5.15	0.25 MAPS		
74060-*004	10	80	10	20.00	18.00			0.76	
74060-*009								1.27	
74060-7504						4.25	0.25 MAPS		
74060-*504	25	200	25	50.00	48.00			0.76	
74060-*509								1.27	

SEE SHEET 1 EC NO: UCP2014-3396 DRWN:SVANG01 2014/02/14 CHKD:MMOLFE 2012/11/30 APPR:SMILLER 2014/02/25 M	QUALITY SYMBOLS ▽E=0 ▽E=0 ▽E=0	GENERAL TOLERANCES (UNLESS SPECIFIED)		DIMENSION STYLE MM ONLY	SCALE 2.5:1	DESIGN UNITS METRIC	THIRD ANGLE PROJECTION		
		4 PLACES ± --- ± --- 3 PLACES ± --- ± --- 2 PLACES ± 0.25 ± --- 1 PLACE ± 0.38 ± --- 0 PLACE ± --- ± ---	mm INCH	DRAWN BY DATE MWANG 1998/11/09	CHECKED BY DATE JLAURX 1998/11/09	TITLE VHDM 8 ROW OPEN END BACKPLANE SALES ASSEMBLY			
		ANGULAR ±1/2° DRAFT WHERE APPLICABLE MUST REMAIN WITHIN DIMENSIONS		APPROVED BY DATE SMILLER 2012/09/07	MATERIAL NO. SEE TABLE		DOCUMENT NO. SD-74060-002	SHEET NO. 2 OF 2	
		THIS DRAWING CONTAINS INFORMATION THAT IS PROPRIETARY TO MOLEX INCORPORATED AND SHOULD NOT BE USED WITHOUT WRITTEN PERMISSION							