



Chipsmall Limited consists of a professional team with an average of over 10 year of expertise in the distribution of electronic components. Based in Hongkong, we have already established firm and mutual-benefit business relationships with customers from,Europe,America and south Asia,supplying obsolete and hard-to-find components to meet their specific needs.

With the principle of “Quality Parts,Customers Priority,Honest Operation,and Considerate Service”,our business mainly focus on the distribution of electronic components. Line cards we deal with include Microchip,ALPS,ROHM,Xilinx,Pulse,ON,Everlight and Freescale. Main products comprise IC,Modules,Potentiometer,IC Socket,Relay,Connector.Our parts cover such applications as commercial,industrial, and automotives areas.

We are looking forward to setting up business relationship with you and hope to provide you with the best service and solution. Let us make a better world for our industry!



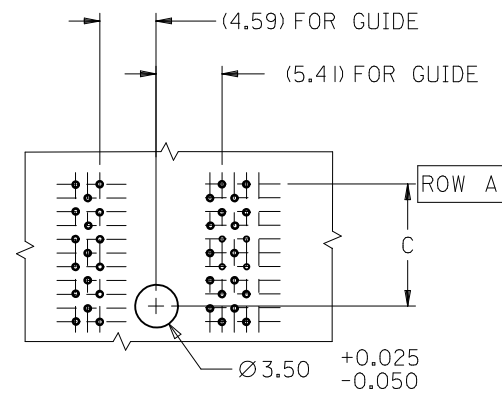
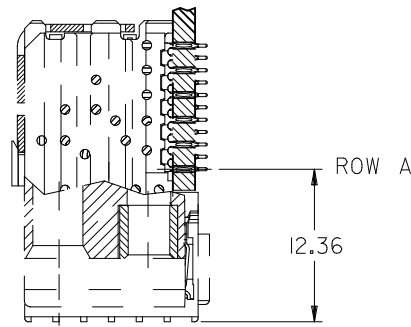
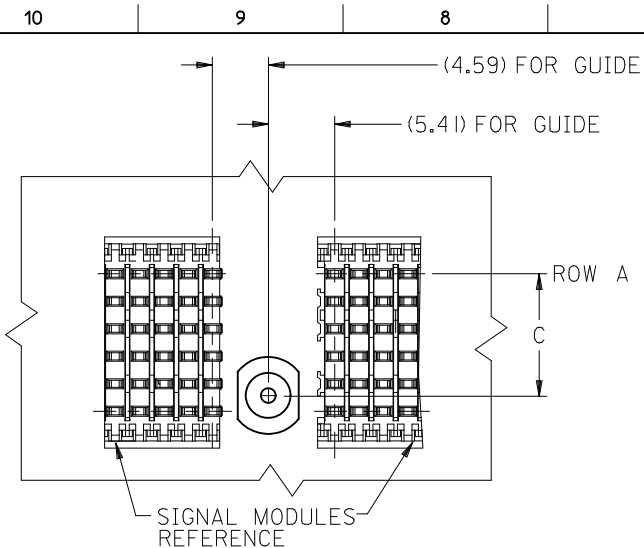
Contact us

Tel: +86-755-8981 8866 Fax: +86-755-8427 6832

Email & Skype: info@chipsmall.com Web: www.chipsmall.com

Address: A1208, Overseas Decoration Building, #122 Zhenhua RD., Futian, Shenzhen, China



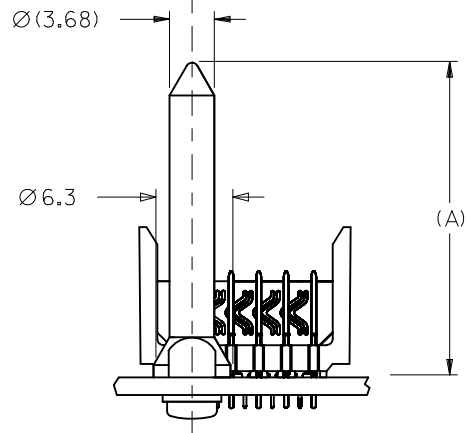


BACKPLANE HOLE PATTERN
FREE STAND GUIDE PIN

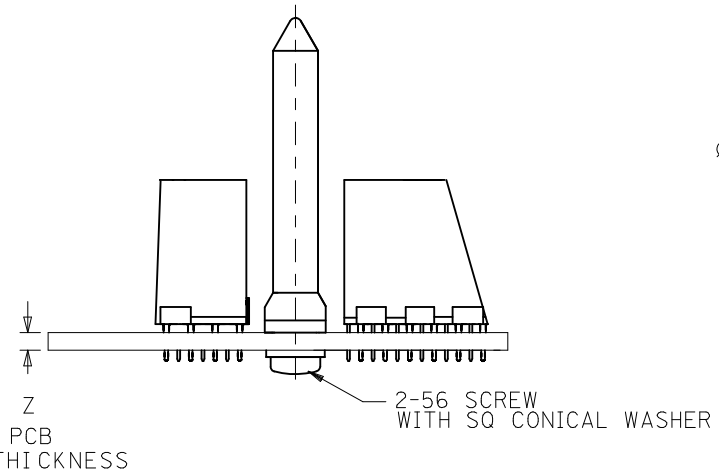
KIT NUMBER	DIM Z BOARD THICKNESS	DIM A
74076-0001	1.8-4.0	25.8
74076-0002	>4.0-9.00	25.8
74076-0005	1.8-4.0	19.9
74076-0006	>4.0-9.00	19.9
74076-0010	1.8-4.0	15.9

NOTES:

1. STANDARD BULK PACK, 500 PER BAG.
2. PACKAGE SCREWS AND GUIDE SEPARATE.
3. 74076-0010 STAND ALONE TO BE USED ONLY WITH GUIDE MODULE 74037-0036.

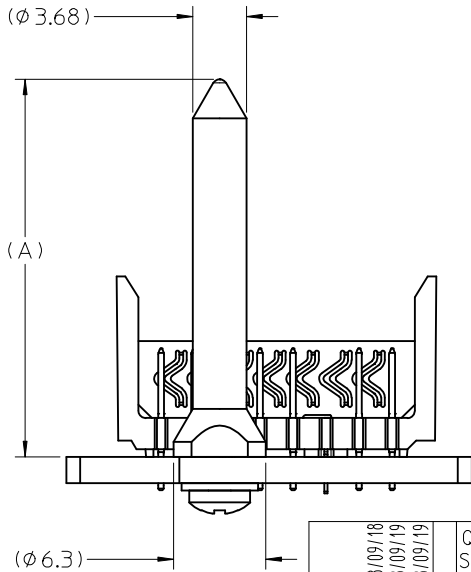
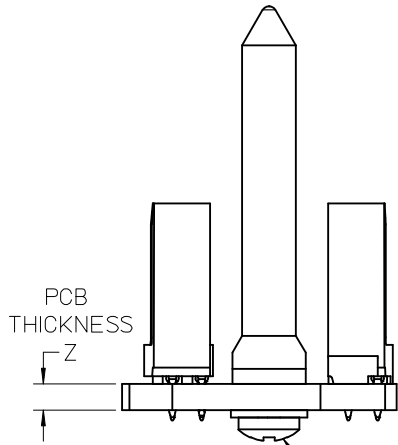
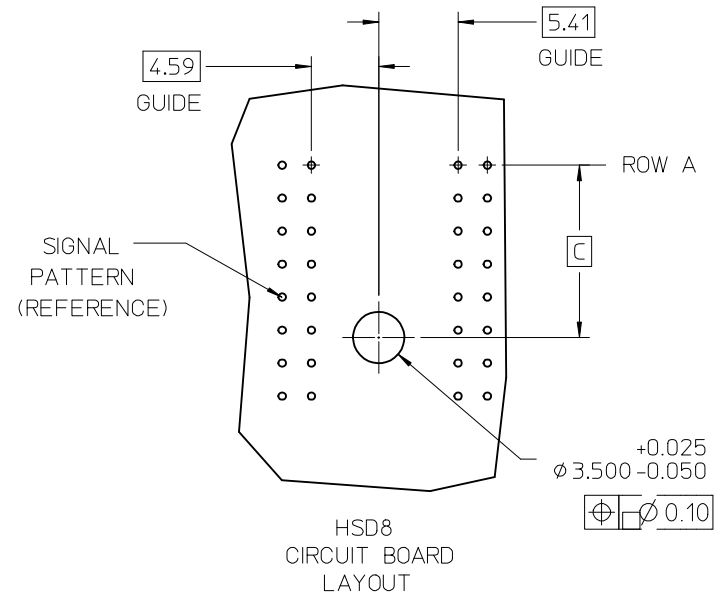
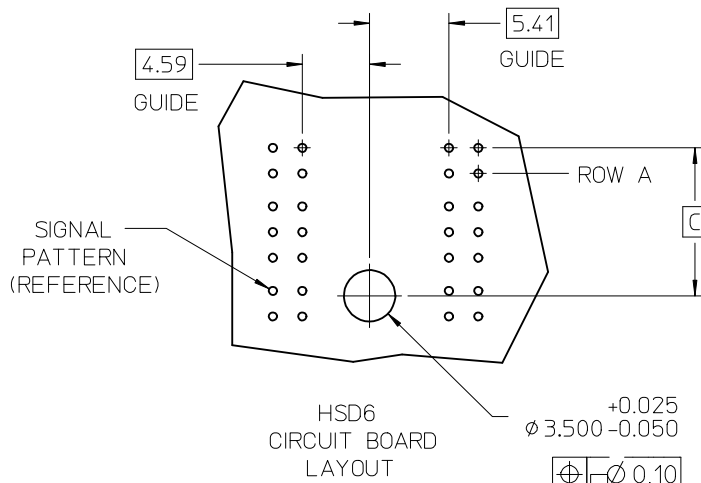
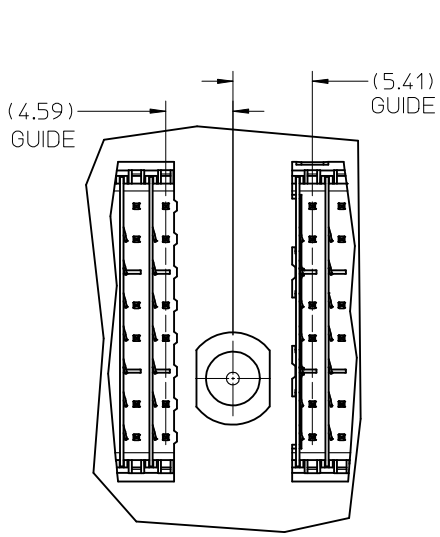


SEE NOTE 3



MATE WITH		DIM C
VHDM 6 ROW	GUIDE MODULE	9.96
	GROUND MODULE	9.26
	JOINER MODULE	9.26
VHDM 8 ROW	GUIDE MODULE	11.75
	GROUND MODULE	11.75
	JOINER MODULE	11.75

ADD -0010 P/N EC NO: UCP2011-1920 DRWN: JMELTON 2010/09/27 CHKD: SDANNELLEY 2010/09/27 APPR: SMILLER 2011/04/29 REV	QUALITY SYMBOLS $\nabla Z=0$ $\nabla E=0$ $\nabla F=0$	GENERAL TOLERANCES (UNLESS SPECIFIED) <table border="1"> <thead> <tr> <th></th> <th>mm</th> <th>INCH</th> </tr> </thead> <tbody> <tr> <td>4 PLACES</td> <td>± ---</td> <td>± ---</td> </tr> <tr> <td>3 PLACES</td> <td>± ---</td> <td>± ---</td> </tr> <tr> <td>2 PLACES</td> <td>± 0.10</td> <td>± ---</td> </tr> <tr> <td>1 PLACE</td> <td>± 0.15</td> <td>± ---</td> </tr> </tbody> </table>		mm	INCH	4 PLACES	± ---	± ---	3 PLACES	± ---	± ---	2 PLACES	± 0.10	± ---	1 PLACE	± 0.15	± ---	DIMENSION STYLE MM ONLY DRAWN BY: JMELTON DATE: 2010/09/27 CHECKED BY: JLAURX DATE: 2000/03/20 APPROVED BY: SMILLER DATE: 2011/04/29	SCALE: DESIGN UNITS: METRIC THIRD ANGLE PROJECTION	TITLE: VHDM BACKPLANE FREE STANDING GUIDE PIN OPEN ENDS SALES DRAWING molex MOLEX INCORPORATED DOCUMENT NO. SD-74076-002 SHEET NO. 1 OF 1
			mm	INCH																
		4 PLACES	± ---	± ---																
		3 PLACES	± ---	± ---																
2 PLACES	± 0.10	± ---																		
1 PLACE	± 0.15	± ---																		
DRAFT WHERE APPLICABLE MUST REMAIN WITHIN DIMENSIONS	MATERIAL NO. SEE TABLE	THIS DRAWING CONTAINS INFORMATION THAT IS PROPRIETARY TO MOLEX INCORPORATED AND SHOULD NOT BE USED WITHOUT WRITTEN PERMISSION																		



KIT NUMBER	DIM Z BOARD THICKNESS	DIM A
74076-0001	1.8 - 4.0	25.8
74076-0002	>4.0 - 9.0	25.8
74076-0005	1.8 - 4.0	19.9
74076-0006	>4.0 - 9.0	19.9

MATE WITH		DIM C
HSD 6	GUIDE MODULE	10.09
	GROUND MODULE	9.39
	JOINER MODULE	9.39
HSD 8	GUIDE MODULE	11.75
	GROUND MODULE	11.75
	JOINER MODULE	11.75

- NOTES:
- PARTS TO BE BULK PACKED, 500 PER BAG.
 - SCREWS & GUIDE PINS PACKAGED SEPARATELY.

ADD PARTS	DESCRIPTION
EC NO: UCP2009-0672	
DRWN: JBINGHAM	
CHKD: 2008/09/19	
APPR: JLAURX	
2008/09/19	
REV B	

QUALITY SYMBOLS	$\nabla=0$
	$\nabla=0$

GENERAL TOLERANCES (UNLESS SPECIFIED)	
mm	INCH
4 PLACES \pm ---	\pm ---
3 PLACES \pm ---	\pm ---
2 PLACES \pm 0.10	\pm ---
1 PLACE \pm 0.15	\pm ---
ANGULAR \pm ---	
DRAFT WHERE APPLICABLE MUST REMAIN WITHIN DIMENSIONS	

DIMENSION STYLE	
MM ONLY	
DRAWN BY	DATE
JBINGHAM	2007/03/28
CHECKED BY	DATE
SREED	2007/03/28
APPROVED BY	DATE
SREED	2007/03/28
MATERIAL NO.	
SEE CHART	
SIZE	
B	

SCALE	3:1	DESIGN UNITS	METRIC	THIRD ANGLE PROJECTION
HSD BACKPLANE FREE STANDING GUIDE PIN SALES DRAWING				
MOLEX INCORPORATED				
DOCUMENT NO.			SHEET NO.	
SD-74076-005			1 OF 1	
<small>THIS DRAWING CONTAINS INFORMATION THAT IS PROPRIETARY TO MOLEX INCORPORATED AND SHOULD NOT BE USED WITHOUT WRITTEN PERMISSION</small>				